



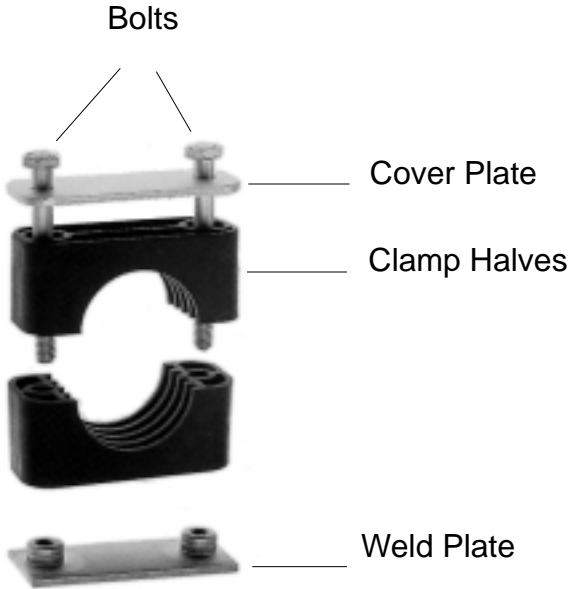
# Tubing Support Systems

Designed to reduce noise, absorb shock and dampen vibration



A. R. Thomson Group

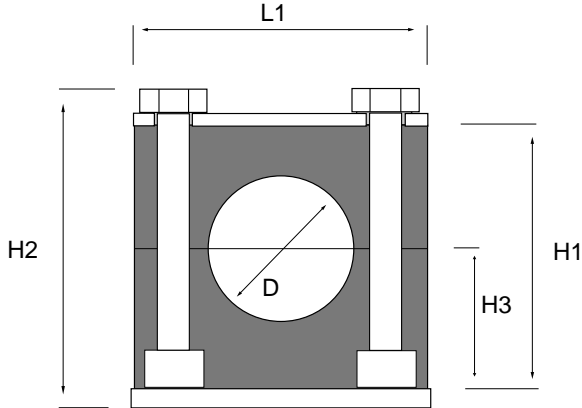
# TUBE SUPPORT KITS



kit complete with weld plate

## Materials

- Bolts Hex Head : 316 stainless steel
- Cover Plate : 316 stainless steel
- Weld Plate: Carbon Steel
- Body: Polypropylene
- Rail and rail nuts: Carbon Steel
- Strut Nuts: Carbon Steel (zinc plated)





## Kit Part Numbers & Dimensions

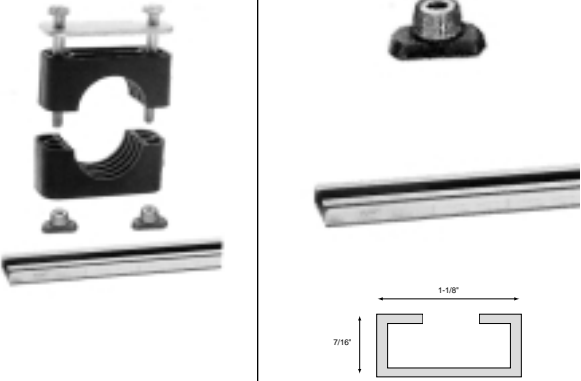





Kits include these parts

| O.D.(D) | GRP | KIT NO.       | H1   | H2   | H3   | L1   |
|---------|-----|---------------|------|------|------|------|
| 1/4"    | 1A  | 1064A-PP-ASSY | 1.06 | 1.45 | 0.65 | 1.45 |
| 3/8"    | 1A  | 1095A-PP-ASSY | 1.06 | 1.45 | 0.65 | 1.45 |
| 1/2"    | 2   | 2127-PP-ASSY  | 1.30 | 1.69 | 0.77 | 1.66 |
| 5/8"    | 2   | 2160-PP-ASSY  | 1.30 | 1.69 | 0.77 | 1.66 |
| 3/4"    | 3   | 3190-PP-ASSY  | 1.38 | 1.77 | 0.80 | 1.97 |
| 1"      | 3   | 3254-PP-ASSY  | 1.38 | 1.77 | 0.80 | 1.97 |
| 1-1/4"  | 5   | 5320-PP-ASSY  | 2.33 | 2.72 | 1.28 | 2.75 |
| 1-1/2"  | 5   | 5381-PP-ASSY  | 2.33 | 2.72 | 1.28 | 2.75 |

# MOUNTING OPTIONS

|   |   |                    |              |                 |
|---|---|--------------------|--------------|-----------------|
|  |  | <b>Weld Plates</b> |              |                 |
|   |   | <b>Clamp sizes</b> | <b>Group</b> | <b>Part No.</b> |
|   |   | 1/4" , 3/8"        | 1A           | <b>WP1A</b>     |
|   |   | 1/2" , 5/8"        | 2            | <b>WP2</b>      |
|   |   | 3/4" , 1"          | 3            | <b>WP3</b>      |
|   |   | 1" , 1-1/4"        | 4            | <b>WP4</b>      |

|  |   |                                |                             |
|--|---|--------------------------------|-----------------------------|
|  |  | <b>Rail Nuts (2 required )</b> |                             |
|  |   | <b>Part No.</b>                | <b>HRN</b>                  |
|  |   | <b>Mounting Rail</b>           |                             |
|  |   | <b>R-1</b>                     | 1 meter (3.28 ft) in length |
|  |   | <b>R-2</b>                     | 2 meter (6.56 ft) in length |

|   |   |                                 |               |
|---|---|---------------------------------|---------------|
|  |  | <b>Strut Nuts (2 required )</b> |               |
|   |   | <b>Part No.</b>                 | <b>CRA1-8</b> |

May 2000

## A. R. Thomson Group







7930 - 130th Street  
SURREY, B.C.  
V3W 0H7  
Phone (604) 507-6050  
Fax (604) 507-6098




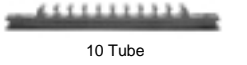

No. 5 - 4376 Boban Drive  
NANAIMO, B.C.  
V9T 5V1  
Phone (250) 758-1090  
Fax (250) 758-1774

1686 Lyon Street  
PRINCE GEORGE, B.C.  
V2N 1T2  
Phone (250) 563-1444  
Fax (250) 563-2644

878 A Tungsten Street  
THUNDER BAY, Ontario  
P7B 6J3  
Phone (807) 623-0641  
Fax (807) 623-5480

# TUBE CLIPS

| METAL   |   | Single - 316 Stainless Steel |             |                  |
|---|---|------------------------------|-------------|------------------|
|  |    | <u>PART No</u>               | <u>SIZE</u> | <u>HOLE SIZE</u> |
|   |   | SCL-250                      | 1/4"        | .187             |
|   |   | SCL-375                      | 3/8"        | .187             |
|   |   | SCL-500                      | 1/2"        | .187             |
|   |   | SCL-750                      | 3/4"        | .190             |
|   |   | SCL-1000                     | 1"          | .200             |
|   |    | Double - 316 Stainless Steel |             |                  |
|   |   | <u>PART No</u>               | <u>SIZE</u> | <u>HOLE SIZE</u> |
|   |   | DCL-250                      | 1/4"        | .187             |
|   |   | DCL-375                      | 3/8"        | .187             |
|   | DCL-500   | 1/2"                         | .187        |                  |
|   | DCL-750   | 3/4"                         | .190        |                  |
|   | DCL-1000  | 1"                           | .200        |                  |
|  | Gang & Back Plate - 316 Stainless Steel   |                              |             |                  |
|   | <i>Available from Factory</i>   |                              |             |                  |
|   | Tube sizes 1/4", 3/8" and 1/2"  |                              |             |                  |
|   | Tube capacity 2 thru 20 tubes   |                              |             |                  |
|   |  | Single - Brass               |             |                  |
|   |   | <u>PART No</u>               | <u>SIZE</u> | <u>HOLE SIZE</u> |
|   |   | 3121-1-4                     | 1/4"        | .187             |
|   |   | 3121-1-6                     | 3/8"        | .187             |
|   |   | 3121-1-8                     | 1/2"        | .210             |
|   |   | 3121-1-12                    | 3/4"        | .281             |
|   |  |                              |             |                  |
|   |   | 3121-3-4                     | 1/4"        | .187             |
|   |   | 3121-3-6                     | 3/8"        | .187             |
|   |   | 3121-3-8                     | 1/2"        | .210             |
|   |   | 3121-3-12                    | 3/4"        | .281             |

| PLASTIC   |  |                |             |                  |                  |
|---|--|----------------|-------------|------------------|------------------|
|  | <br>3 Tube  | <u>PART No</u> | <u>SIZE</u> | <u>No. TUBES</u> | <u>HOLE SIZE</u> |
|   |  | P-4-3          | 1/4"        | 3                | .187             |
|   |  | P-6-3          | 3/8"        | 3                | .187             |
|   | <br>5 Tube  | P-4-5          | 1/4"        | 5                | .187             |
|   |  | P-6-5          | 3/8"        | 5                | .187             |
|   | <br>10 Tube | P-4-10         | 1/4"        | 10               | .187             |
|   |  | P-6-10         | 3/8"        | 10               | .187             |
|   | <br>6 Tube  | P-8-6          | 1/2"        | 6                | .187             |