

**PROTECT VALUABLE EQUIPMENT WITH COST  
EFFECTIVE FILTRATION FOR ANY SYSTEM**

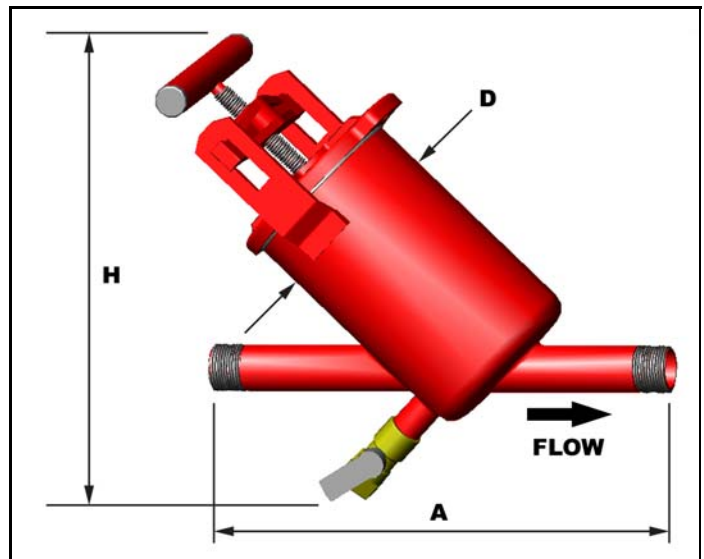
Orival's line of ORM Series Manual Filters offer a solution for those systems with big operating problems but small operating budgets. Available in 1" to 8" line sizes, the filters are capable of handling flows up to 1320 gpm. Constructed of carbon steel and coated with extra durable polyester, electrostatically applied and oven cured on a zinc phosphate layer, the filters are designed with durability in mind. The screen is available in sizes down to 72 micron/200 mesh, allowing the unit to be used in a variety of applications.

**BENEFITS:**

- **LOW COST**
- **NO MOVING PARTS**
- **SCREENS DOWN TO  
72 MICRON**

**TYPICAL APPLICATIONS:**

- **INDUSTRIAL**
- **COMMERCIAL**
- **HVAC**
- **IRRIGATION**



In an effort to improve our products, Orival reserves the right to incorporate changes without prior notice.

**Orival manufactures a wide variety of filtration systems, both manual and automatic, for removal of suspended solids, with unlimited flow rate capacities. Contact us or visit our website for more information.**

Model No.	Pipe Size (in.)	Diameter (in.) "D"	Length (in.) "L"	Height (in.) "H"	Weight (lbs.)	Flow Rate (gpm)
ORM-010-IS	1*	4	9-3/4	12-1/2	12	35
ORM-015-IS	1-1/2*	4	13-1/4	14-1/2	15	65
ORM-020-IS	2*	6	18-1/2	18	33	110
ORM-030-IS	3**	6	22	20-1/2	60	175
ORM-040-IS	4**	8	27	24-1/2	92	350
ORM-060-IS	6**	12	35	27	159	660
ORM-080-IS	8**	12	43	31	200	1320

\* - Threaded    \*\* - Flanged

NOTE: Multiple filters can be installed in parallel to handle higher flow rates.

## INSTALLATION GUIDELINES:

- ⇒ Filter must be installed horizontally with body pointing upwards and drain valve pointing down.
- ⇒ Filter must be installed in the proper flow direction as indicated by the arrows on the housing.
- ⇒ For ease of maintenance, install filter with inlet and outlet isolation valves.
- ⇒ Be sure to leave sufficient space around the filter for screen removal and maintenance.
- ⇒ For best results, operation with a clean screen pressure drop of 4 psi or less is recommended.
- ⇒ Maximum Working Pressure: 125 psig; Maximum Fluid Temperature: 140°F.

## MAINTENANCE PROCEDURES:

### MANUAL FLUSHING

- ⇒ To clean the filter, open the drain valve located at the bottom of the housing for 10-30 seconds.
- ⇒ Close valve and check if the differential pressure has recovered. If not, repeat procedure.
- ⇒ Perform flushing every two weeks or when differential reaches 15 psi.

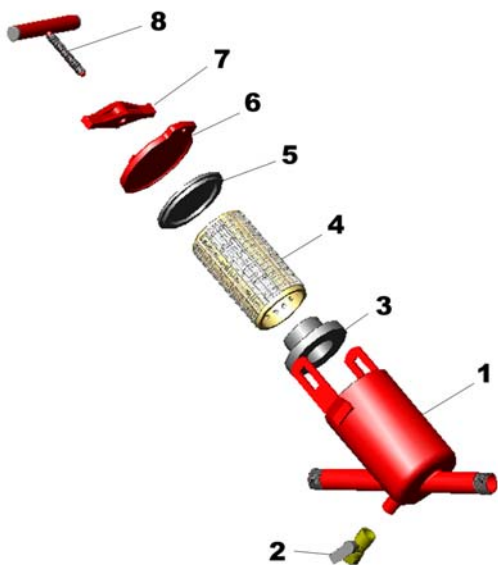
### PERIODIC CLEANING

- ⇒ Close inlet and outlet isolation valves.
- ⇒ Open drain valve to release pressure and drain filter.
- ⇒ Open cover and gently remove filter screen.
- ⇒ Rinse screen thoroughly with clean water. If necessary, use a soft bristle brush to dislodge particles from the screen. CAUTION: A WIRE BRUSH WILL DAMAGE THE SCREEN. If the bristle brush fails to remove the particulates, the screen can be immersed in a mild acid/alkaline solution for a short period of time. Rinse thoroughly prior to reinstallation.
- ⇒ After cleaning, check to ensure that screen is intact.
- ⇒ Ensure that inner seal is positioned with the notch adjacent to the drain valve.
- ⇒ Replace screen in housing, ensuring that top of screen is level with the top of the housing.
- ⇒ Replace cover gasket, cover and handle and tighten securely.

### PERIODIC MAINTENANCE

- ⇒ Yearly: Apply a layer of grease to the threads of the handle.
- ⇒ As necessary: Repair damage to the protective coating of the housing promptly.

## SPARE PARTS: *(Please specify model and item number when ordering)*



Item	Description	Models
1	Housing	All
2	Drain Valve	All
3	Inner Seal	All
4	Screen	All
5	Cover Gasket	All
6	Cover	All
7	Cover Bracket	1" - 4"
8	Handle	1" - 4"
9 (not shown)	Inner Screen	2" - 4"
10 (not shown)	Centering Collar	6" - 8"



40 N. Van Brunt St.,  
Englewood, NJ 07631  
**(800) 567-9767**  
(201) 568-3311  
Fax (201) 568-1916  
www.orival.com  
filters@orival.com

**FOR INFORMATION ON THE COMPLETE LINE OF  
ORIVAL FILTERS, CALL US OR VISIT US AT  
WWW.ORIVAL.COM**