



Veriflo's NOVAL valve is an economical, general purpose diaphragm valve. Available in 316L Stainless Steel or Brass. Standard construction includes an Elgiloy® diaphragm and an outboard metal-to-metal seal. Actuation is by a 1/4 turn lever.



applications

- ▶ Outlet valve for a pressure regulator
- ▶ Laboratory shut-off valve
- ▶ Gas control panels
- ▶ Sampling systems and gas analyzers
- ▶ Research facilities
- ▶ Sample container shut-off valve

features

- ▶ High cycle life.
- ▶ Positive, constant shutoff.
- ▶ The closed position does not vary with the life of the product.
- ▶ Low internal volume.
- ▶ Metal-to-metal seal to atmosphere.
- ▶ Available in a variety of connection options.



materials of construction

Wetted

Body	316L Stainless Steel or Brass
Seat	PCTFE (formerly Kel-F 81®) optional Vespel®
Diaphragm.....	Elgiloy® or equivalent
Seal	Metal-to-metal

Non-Wetted

Cap Nut	316L Stainless Steel
Lever (blue)	Aluminum Powder Coated

operating conditions

Operating Pressure.....	Vacuum to 3500 psig (241 barg)
Proof Pressure	5250 psig (362 barg)
Burst Pressure	10,500 psig (724 barg)
Temperature	-40°F to 150°F (-40°C to 66°C)

functional performance

Flow capacity..... $C_v = 0.17$
(ANSI/ISA S 75.02 1988 using water)

Design Leak Rate:

Outboard	1×10^{-8} scc/sec He
Inboard.....	1×10^{-8} scc/sec He
Inline	1×10^{-8} scc/sec He

internal volume

Less than 1.0 cc

standard configurations

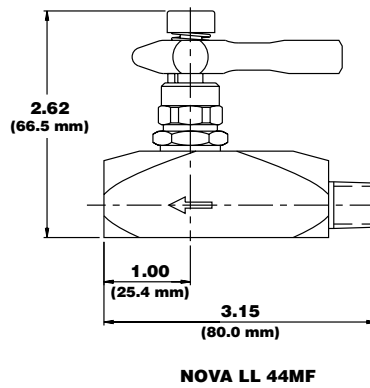
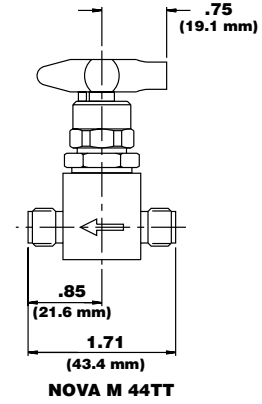
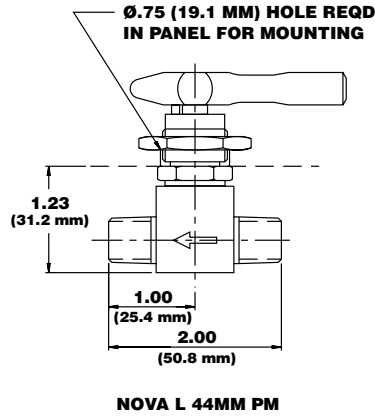
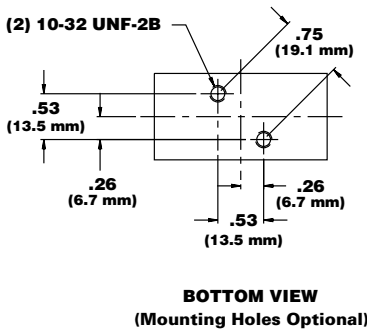
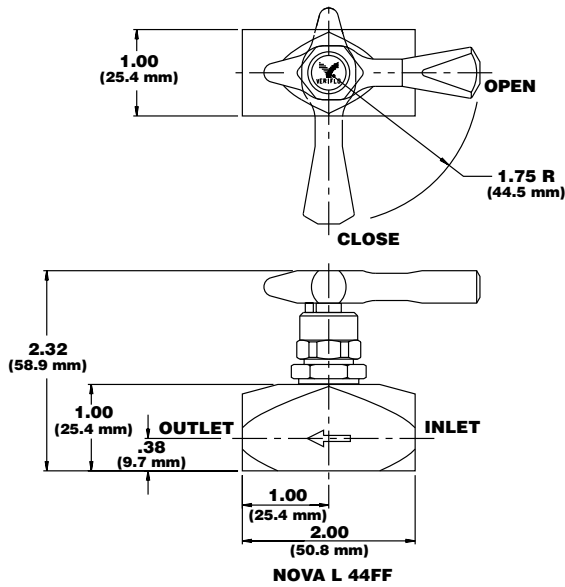
1/4 inch NPT male and female, compression fitting

approximate weight

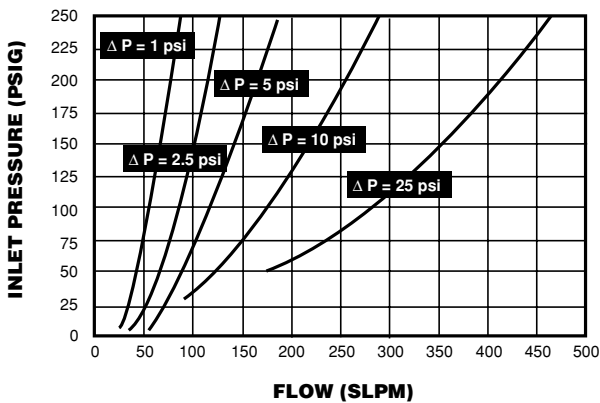
9 Oz. (.26 kg)

Noval

Dimensional Drawings



Flow Curve



Ordering Information

NOVAL S 44FF PM

BASIC SERIES

- NOVAL = 1/4 Turn Lever
- NOVALL = 1/4 Turn Locking Lever
- NOVAM = 1/4 Turn Mini Lever

MATERIALS

- S = 316L Stainless Steel
- B = Brass

OPTIONAL FEATURES

- G = Gauge Port(s)*
- PM = Panel Mount**
- NP = Nickel Plating
- VESP = Vespel® Seat
- MH = Mounting Holes

CONNECTIONS

- 44TM = 1/4" Compression In and 1/4" NPT Male Out
- 44TT = 1/4" Compression In and Out
- 44FF = 1/4" Female NPT In and Female NPT Out
- 44MM = 1/4" Male NPT In and Male NPT Out
- 44MF = 1/4" Male NPT In and Female NPT Out

*Contact factory for location of gauge port(s).
 **Not Available on Nova I Units.
 Note: Colored Levers Optional; Blue is standard.
 Kel-F 81® is a registered trademark of 3M Company.
 Vespel® is a registered trademark of DuPont Company.
 Eligloy® is a registered trademark of Eligloy Company.

Parker Hannifin Corporation

Veriflo Division
 250 Canal Boulevard, P.O. Box 4034
 Richmond, CA 94804-0034
 Phone (510) 235-9590 • Fax (510) 232-7396

Premium Products,
 Powerful Solutions.

