

Section W



Air Line Filters	4-19
Air Line Coalescing Filters	20-35
Air Line Regulators	36-63
Filter / Regulator "Piggybacks"	64-79
Air Line Lubricators, Micro-Mist	80-89
Air Line Lubricators, Mist	90-103

Combinations & Accessories	
14A / 14G	104-105
15A / 15G / 15B / 15H	106-111
06A / 16G / 06B / 16H	112-117
07A / 17G / 07B / 17H	112-117
P3N	118-122
Air Line Accessories	123-132

Bold text part numbers are standard.
Standard text part numbers may have longer lead times.

W

Series	14	P3A	05	06	07	P3N	PF 602	PL 606	27	12	09	3550
Port Size	1/8, 1/4	1/8, 1/4	1/4, 3/8	1/4, 3/8, 1/2	3/8, 1/2, 3/4	3/4, 1, 1-1/2	1, 1-1/4, 1-1/2		1/4, 3/8	3/8, 1/2, 3/4	2	1/4
Filter												
Coalescing Style Filter												
Regulator												
Pilot Controlled Regulator												
Mist Lubricator												
Micro-Mist Lubricator												
Filter / Regulator												
Filter / Regulator / Lubricator Combination												
Precision Regulator												

⚠ CAUTION:

Polycarbonate bowls, being transparent and tough, are ideal for use with Filters and Lubricators. They are suitable for use in normal industrial environments, but should not be located in areas where they could be subjected to direct sunlight, an impact blow, nor temperatures outside of the rated range. As with most plastics, some chemicals can cause damage. Polycarbonate bowls should not be exposed to chlorinated hydro-carbons, ketones, esters and certain alcohols. They should not be used in air systems where compressors are lubricated with fire-resistant fluids such as phosphate ester and di-ester types.

Metal bowls are recommended where ambient and/or media conditions are not compatible with polycarbonate bowls. Metal bowls resist the action of most such solvents, but should not be used where strong acids or bases are present or in salt laden atmospheres. Consult the factory for specific recommendations where these conditions exist.

TO CLEAN POLYCARBONATE BOWLS USE MILD SOAP AND WATER ONLY! DO NOT use cleansing agents such as acetone, benzene, carbon tetrachloride, gasoline, toluene, etc., which are damaging to this plastic.

Metal bowl guards are recommended for all applications.

⚠ CAUTION:

REGULATOR PRESSURE ADJUSTMENT – The working range of knob adjustment is designed to permit outlet pressures within their full range. Pressure adjustment beyond this range is also possible because the knob is not a limiting device. This is a common characteristic of most industrial regulators, and limiting devices may be obtained only by special design.

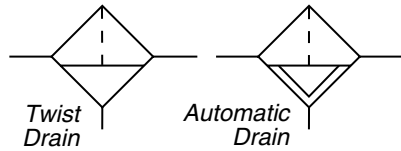
BASIC UNIT	SERIES	PORT SIZE											BOWLS			CAPACITY	SPRING RANGE					ELEMENTS (Microns)		PAGE					
		1/8	1/4	3/8	1/2	3/4	1	1 1/4	1 1/2	2	2 1/2	3	Poly	Metal	Metal SG		1-15	1-30	1-60	2-125	5-250	5	40						
FILTERS	14F	X	X										X	X	N.A.	1 oz.								Std.	Opt.	6			
	05F		X	X									X	X	X	2 oz.								Opt.	Std.	8			
	06F		X	X	X								X	X	X	4.4 oz.								Opt.	Std.	10			
	07F			X	X	X							X	X	X	7.2 oz.								Opt.	Std.	12			
	P3NF					X	X		X				N.A.	N.A.	X	18 oz.								Opt.	Std.	14			
	PF602						X	X	X				N.A.	X	N/A	32 oz.								Opt.	Std.	16			
	09F									X			N.A.	X	N.A.	117 oz.								Std.	N.A.	18			
COALESCING FILTERS	02F																								Coalescent Type	23			
	10F	X	X										X	X	N.A.	1 oz.										Coalescent Type	24		
	15F		X	X									X	X	X	2 oz.										Coalescent Type	26		
	11F		X	X	X								X	X	X	4.4 oz.										Coalescent Type	28		
	12F			X	X	X							X	X	X	7.2 oz.										Coalescent Type	30		
	P3NF					X	X		X				N.A.	N.A.	X	18 oz.										Coalescent Type	32		
	30F								X				N.A.	X	N.A.	14.8 oz.										Coalescent Type	34		
	31F									X			N.A.	X	N.A.	17.9 oz. 20.9 oz.										Coalescent Type	34		
	32F										X	X	N.A.	X	N.A.	29.7 oz.										Coalescent Type	34		
REGULATORS	STANDARD	14R	X	X														Opt.	Opt.	Opt.	Std.	N.A.					38		
		20R	X	X															Opt.	Opt.	Opt.	Std.	N.A.					40	
		05R		X	X														N.A.	Opt.	Opt.	Std.	N.A.					42	
		06R		X	X	X													N.A.	Opt.	Opt.	Std.	Opt.					44	
		07R			X	X	X												N.A.	Opt.	Opt.	Std.	Opt.					46	
	PILLOT	P3NR					X	X		X									N.A.	N.A.	Opt.	Std.	Opt.					48	
		09R									X								N.A.	N.A.	N.A.	Std.	N.A.					50	
		10R	X	X	X														*	*	*	*	*					52	
		11R		X	X	X														*	*	*	*	*					54
		12R			X	X	X													*	*	*	*	*					56
PIGGBACKS	P3NR					X	X		X									*	*	*	*	*					58		
	27R		X	X														Opt.	Opt.	Opt.	Std.	N.A.					60		
	3550		X															N.A.	Opt.	Opt.	Std.	N.A.					62		
	PIGGBACKS	14E	X	X										X	X	N.A.	1 oz.	Opt.	Opt.	Opt.	Std.	N.A.	Std.	Opt.				66	
05E			X	X									X	X	X	2 oz.	N.A.	Opt.	Opt.	Std.	N.A.	Opt.	Std.				68		
06E			X	X	X								X	X	X	4.4 oz.	N.A.	Opt.	Opt.	Std.	Opt.	Opt.	Std.				70		
07E				X	X	X							X	X	X	7.2 oz.	N.A.	Opt.	Opt.	Std.	Opt.	Opt.	Std.				72		
P3NE						X	X		X				N.A.	N.A.	X	18 oz.	N.A.	N.A.	Opt.	Std.	Opt.	Opt.	Std.				74		
27E			X	X									X	X	X	2 oz.	Opt.	Opt.	Opt.	Std.	N.A.	Opt.	Std.				76		
12E				X	X	X							N.A.	X	N.A.	7.2 oz.	N.A.	Opt.	Opt.	Std.	Opt.	Coalescent Type					78		
LUBRICATORS	14L †		X										X	X	N.A.	1 oz.											82		
	15L †		X	X									X	**	X	2 oz.											83		
	16L †		X	X	X								X	**	X	2.6 oz.											86		
	17L †			X	X	X							X	**	X	4.9 oz.											88		
	02L		X	X												9cc											90		
	06L †		X	X	X								X	**	X	2.9 oz.											92		
	07L †			X	X	X							X	**	X	6 oz.											94		
	P3NL †					X	X		X				N.A.	N.A.	X	18 oz.											96		
	PL606						X	X	X				N.A.	X	X	32 oz. 64 oz.											98		
09L †									X			N.A.	N.A.	X	96 oz.											100			

GENERAL NOTES: **PIGGBACKS / FILTER / LUBRICATORS**
 Pressure Range Poly Bowl 0-150 PSIG
 Temperature Range Poly Bowl 32°F to 125°F
 Pressure Range Metal Bowl 0-250 PSIG
 Temperature Range Metal Bowl 32°F to 175°F

REGULATORS
 Pressure Range Inlet 0-250 PSIG
 Temperature Range 32°F to 175°F
 For use with compressed air only.

* Will follow pilot regulator setting.
 † Can be filled under pressure.
 ‡ Cannot be filled under pressure.
 ** Consult factory.

Filters



- Pipe Sizes 1/8 thru 2 Inch
- Flows to 1000 SCFM
- Pressures to 250 PSIG

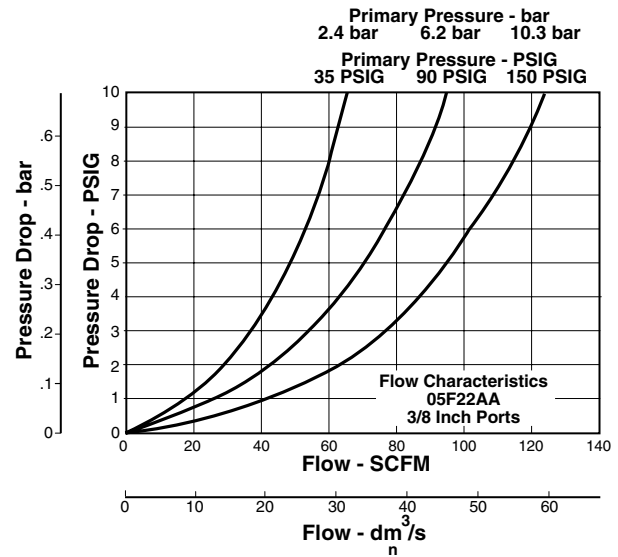
Air filters are designed to remove airborne solid contaminants, pipe scale, rust, pipe dope, etc., which may plug small orifices or cause excessive wear and premature failure of pneumatic components.

- Miniature 14F Series, 1/8 and 1/4 Inch
- Economy 05F Series, 1/4 and 3/8 Inch
- Compact 06F Series, 1/4, 3/8 and 1/2 Inch
- Standard 07F Series, 3/8, 1/2 and 3/4 Inch
- Hi-Flow P3NF Series, 3/4, 1 and 1-1/2 Inch
- Hi-Flow PF602 Series, 1, 1-1/4 and 1-1/2 Inch
- Hi-Flow 09F Series, 2 Inch

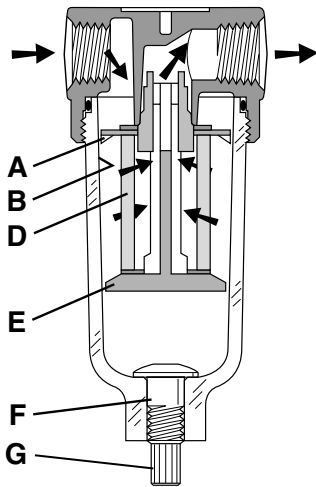
Filter Selection

1. Determine maximum system flow requirements.
2. Determine maximum allowable pressure drop at rated flow in SCFM.
3. Refer to flow chart and select filter pipe size by choosing curve that offers minimum pressure drop at desired flow in SCFM. For optimum performance, a 2 to 5 PSIG pressure drop should be selected.

Reading Flow Charts to Size Filters



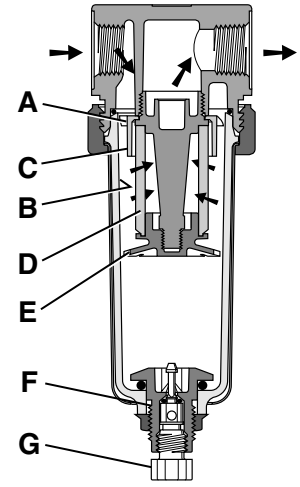
Once the required flow is determined for a pneumatic application, the filter can be selected by using the flow chart. To read the filter flow chart, first determine the inlet pressure that will be used. Find the appropriate pressure curve on the graph. Each graph will contain three pressure curves. If the required inlet pressure is not on the graph, interpolate a similar curve for the required pressure. Next, determine the acceptable pressure drop across the filter and locate it on the vertical axis. Find the intersection point of the acceptable pressure drop and the inlet pressure curve. At this point follow a vertical path downward to view the flow in SCFM. If the flow is too low, select a larger port size or body size to give the required flow. If the flow is higher than necessary, select a smaller port size or body size to give the required flow.



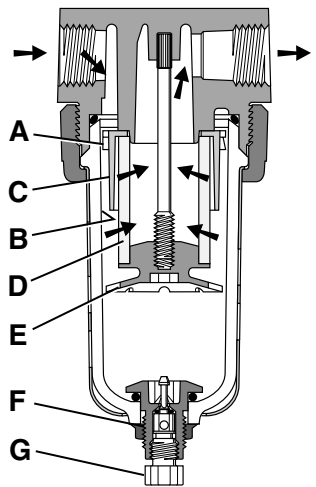
14F

First Stage Filtration:

Air enters at inlet port and flows through deflector plate (A) which causes a swirling action. Liquids and coarse particles are forced to the bowl interior wall (B) by the centrifugal action of the swirling air. They then carry down the bowl wall by the force of gravity. Shroud (C) assures that the proper swirling action occurs and that the air does not pass directly through the filter element (D) until the large particles and liquids are removed. The baffle (E) separates the lower portion of the bowl into a "quiet zone" where the removed liquids and particles collect, unaffected by the swirling air, and are therefore not reentrained into the flowing air.



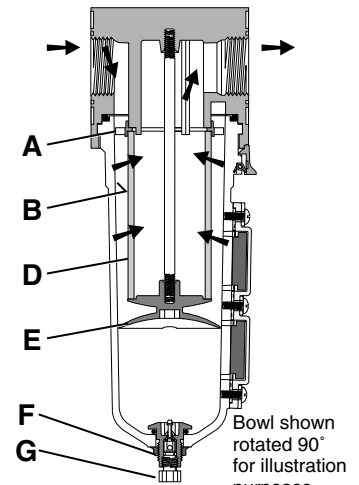
05F



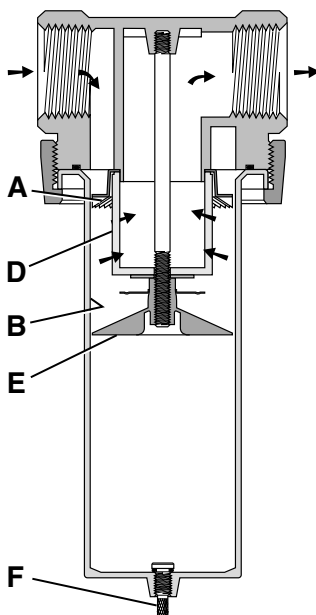
06F / 07

Second Stage Filtration:

After liquids and large particles are removed in the first stage of filtration, the air flows through element (D) where smaller particles are filtered out and retained. The filtered air then passes downstream. Collected liquids and particles in the "quiet zone" should be drained before their level reaches a height where they would be reentrained in the flowing air. This can be accomplished by the twist drain (F) which is actuated by twisting knob (G) counterclockwise. On the 09 Series, unscrew the drain valve (F) slightly until the liquid begins to drain.

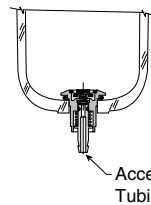


P3NF



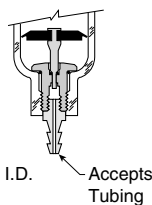
PF602

Semi Automatic Drain



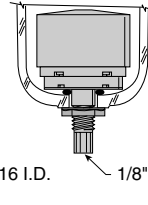
This drain offers a semi-automatic function when there is a differential pressure in the filter which occurs when the air line pressure is reduced. The drain can also be used manually by gripping it with your fingertips and pushing upward.

Automatic Pulse Drain

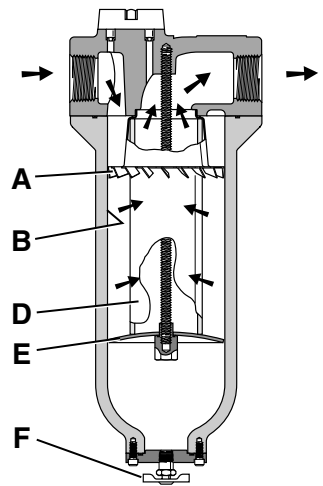


The diaphragm in this drain pulses when there is a pressure differential such as a valve cycling or cylinder stroking downstream. This action flexes the diaphragm and allows the filter to drain the entrapped water.

Automatic Float Drain



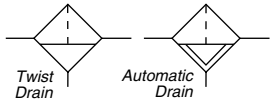
The float internal to this drain rises with increased liquid level. When the float rises, it opens a seat area allowing the trapped liquids to drain through the bottom. A manual override can be pushed in the bottom of the drain to unseat the float if particulates create a block.



09F

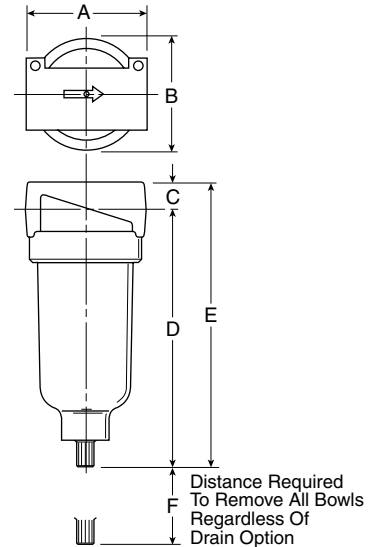


14F Filters – Miniature



Features

- Excellent water removal efficiency.
- Unique deflector plate that creates swirling of the air stream ensuring maximum water and dirt separation.
- Easily disassembled for servicing without the use of tools.
- Fingertip operated drain.
- High Flow: 1/8" – 22 SCFM §
 1/4" – 24 SCFM §



Port Size	NPT		BSPP	
	Twist Drain	Automatic Pulse Drain	Twist Drain	Automatic Pulse Drain
Poly Bowl†				
1/8"	14F01BB	14F05BB	14F01BB1	14F05BB1
1/4"	14F11BB	14F15BB	14F11BB1	14F15BB1
Metal Bowl without Sight Gauge				
1/8"	14F03BB	14F07BB	14F03BB1	14F07BB1
1/4"	14F13BB	14F17BB	14F13BB1	14F17BB1

14F Filter Dimensions		
A 1.69 43mm	B 1.53 39mm	C .39 10mm
D 3.82 97mm	D† 3.87 99mm	E 4.21 107mm
E† 4.26 108mm	F 1.60 41mm	

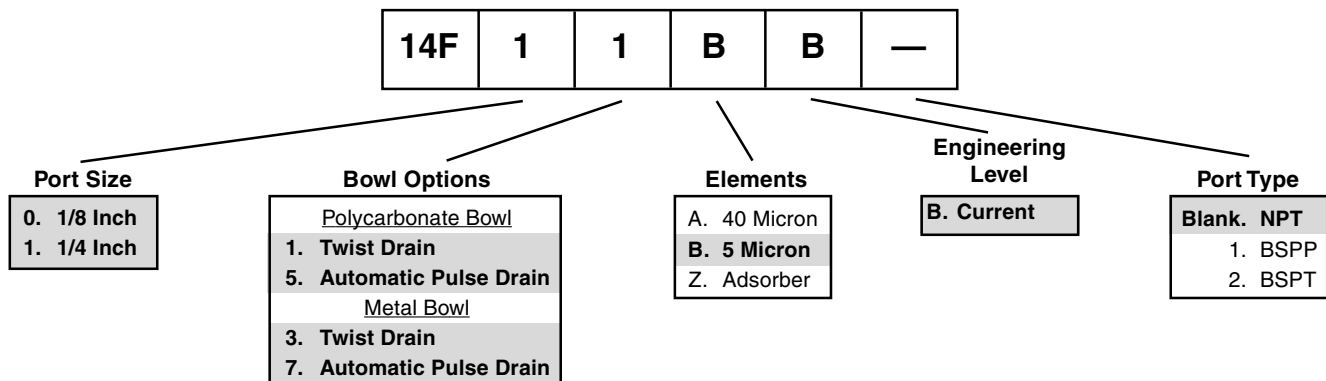
Standard part numbers shown, for other models refer to ordering information below.

† For polycarbonate bowl see caution in Product Selection Chart page 2.

§ SCFM = Standard cubic feet per minute at 90 PSIG inlet and 5 PSIG pressure drop.

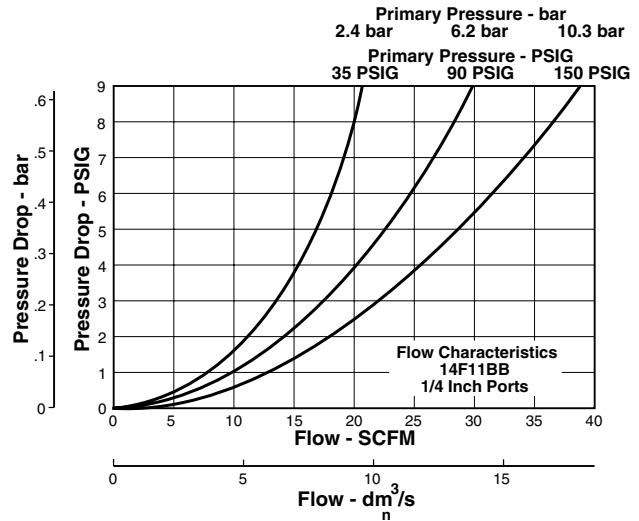
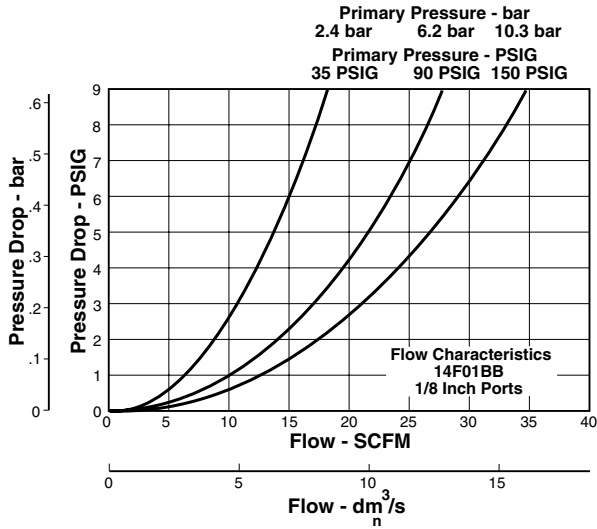
† With Automatic Pulse Drain

Ordering Information



NOTE: Shaded items are standard.

Technical Information



14F Filter Kits & Accessories

Bowl Kits –

- Poly Bowl – Automatic Pulse Drain PS408P
- Twist Drain PS404P
- Metal Bowl – Automatic Pulse Drain PS451P
- Twist Drain PS447BP

Filter Element Kits –

- 40 Micron PS401P
- 5 Micron PS403P
- 5 Micron Cartridge Kit PS407P
- Adsorber PS452P

- Mounting Bracket Kit (Includes Panel Mount Nut) PS417BP

Specifications

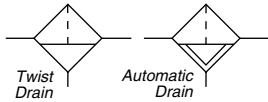
- Bowl Capacity 1 Ounce
- Port Threads 1/8, 1/4 Inch
- Pressure & Temperature Ratings –
 - Polycarbonate Bowl – 0 to 150 PSIG (0 to 10.3 bar)
32°F to 125°F (0°C to 52°C)
 - Metal Bowl – 0 to 250 PSIG (0 to 17.2 bar)
32°F to 175°F (0°C to 80°C)
 - Automatic Pulse Drain – 10 to 250 PSIG (0.7 to 17.2 bar)
at 125°F (52°C) or less
- Weight41 lb. (.18 kg)

Materials of Construction

- Body Zinc
- Bowls Transparent Polycarbonate
Metal (Zinc) Bowl w/o Sight Gauge
- Deflector, Element Holder & Baffle Plastic
- Drains – Twist Drain –
 - Body & Stem Plastic
 - Seals Nitrile
 - Automatic Pulse Drain –
 - Piston & Seals Nitrile
 - Stem, Seat, Adaptor & Washers Aluminum
- Filter Elements – 5 Micron (Standard) Plastic
40 Micron (Optional) Plastic
Adsorber (Optional) Activated Charcoal
- Seals Nitrile

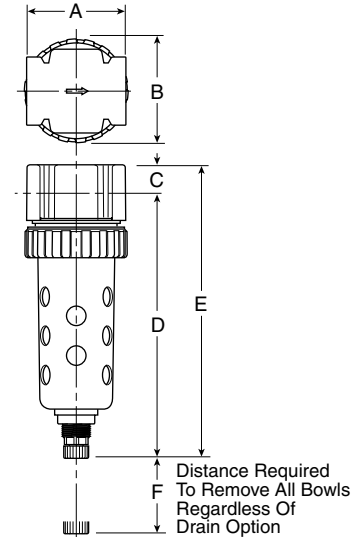


05F Filters – Economy



Features

- Excellent water removal efficiency.
- Unique deflector plate and shroud creates a swirling of the air stream ensuring maximum water and dirt separation.
- Large filter element surface guarantees low pressure drop and increased element life.
- 40 micron filter element standard, 5 micron and adsorber available.
- High Flow: 1/4" – 54 SCFM[§]
 3/8" – 70 SCFM[§]



Port Size	NPT		BSPB	
	Twist Drain	Automatic Pulse Drain	Twist Drain	Automatic Pulse Drain
Poly Bowl [†] / Metal Guard				
1/4"	05F12AA	05F1PAA	05F12AA1	05F1PAA1
3/8"	05F22AA	05F2PAA	05F22AA1	05F2PAA1
Metal Bowl / Sight Gauge				
1/4"	05F14AA	05F1TAA	05F14AA1	05F1TAA1
3/8"	05F24AA	05F2TAA	05F24AA1	05F2TAA1

05F Filter Dimensions		
A 2.00 51mm	B 2.06 52mm	C .56 14mm
D[†] 5.35 136mm	E[†] 5.91 150mm	F 2.25 57mm

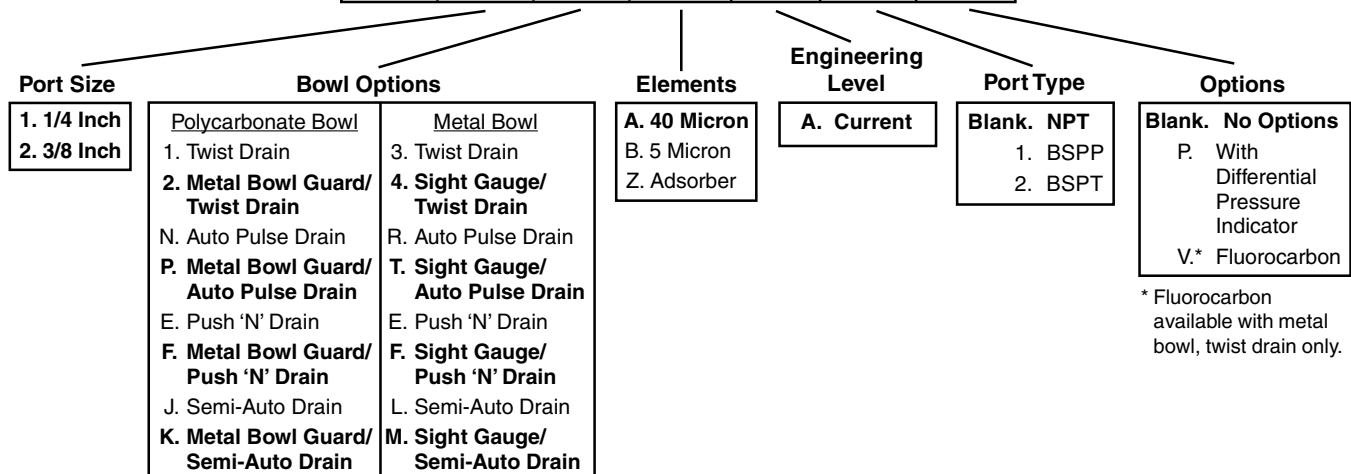
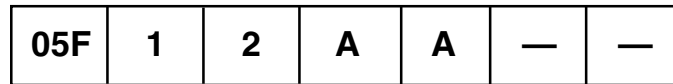
[†] With Twist or Automatic Pulse Drain

Standard part numbers shown, for other models refer to ordering information below.

[‡] For polycarbonate bowl see caution in Product Selection Chart page 2.

[§] SCFM = Standard cubic feet per minute at 90 PSIG inlet and 5 PSIG pressure drop.

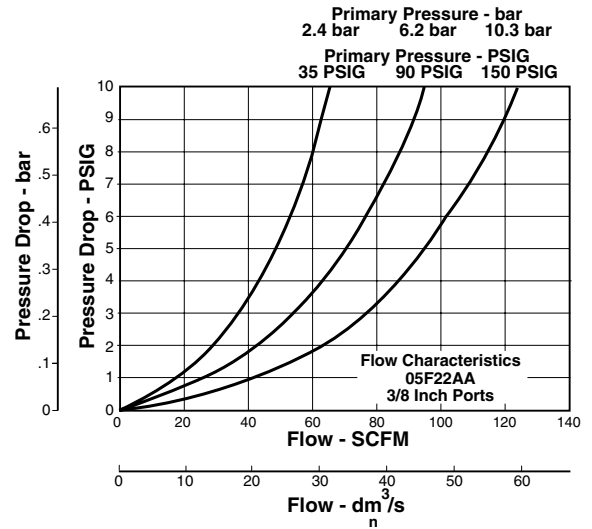
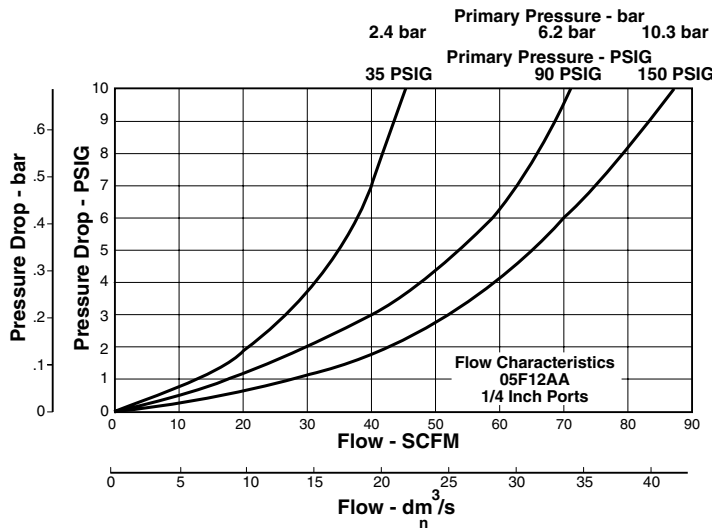
Ordering Information



* Fluorocarbon available with metal bowl, twist drain only.

NOTE: BOLD OPTIONS ARE STANDARD.

Technical Information



05F Filter Kits & Accessories

Bowl Guard Kit	PS905P
Bowl Kits –	
Poly Bowl – Automatic Pulse Drain	PS995P
Semi-Auto Drain	PS992P
Twist Drain	PS932P
Push 'N' Drain	PS904P
Metal Bowl – Automatic Pulse Drain	PS997P
Semi-Auto Drain	PS994P
Twist Drain	PS934P
Twist Drain (Fluorocarbon)	PS934VP
Push 'N' Drain	PS925P
Sight Gauge / Automatic Pulse Drain	PS996P
Sight Gauge / Semi-Auto Drain	PS993P
Sight Gauge / Twist Drain	PS935P
Sight Gauge / Twist Drain (Fluorocarbon) ..	PS935VP
Sight Gauge / Push 'N' Drain	PS906P
DPI Replacement Kit	PS781P
Drain Kit –	
Automatic Pulse Drain	PS998P
Semi-Auto Drain	PS511P
Twist Drain	PS512P
Twist Drain (Fluorocarbon)	PS512VP
Push 'N' Drain	PS513P
Filter Element Kits –	
40 Micron	PS901P
5 Micron	PS902P
Adsorber	PS931P
Mounting Bracket Kit	PS943P
Sight Gauge Kit	PS914P

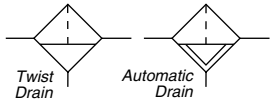
Specifications

Bowl Capacity	2.0 Ounces
Sump Capacity9 Ounce
Port Threads	1/4, 3/8 Inch
Pressure & Temperature Ratings –	
Without Differential Pressure Indicator:	
Polycarbonate Bowl – 0 to 150 PSIG (0 to 10.3 bar)	
32°F to 125°F (0°C to 52°C)	
Metal Bowl – 0 to 250 PSIG (0 to 17.2 bar)	
32°F to 175°F (0°C to 80°C)	
With Differential Pressure Indicator – 0 to 150 PSIG (0 to 10.3 bar)	
32°F to 125°F (0°C to 52°C)	
Automatic Pulse Drain – 10 to 150 PSIG (0.7 to 10.3 bar)	
at 125°F (52°C) or less	
Weight	1.2 lb. (.54 kg)

Materials of Construction

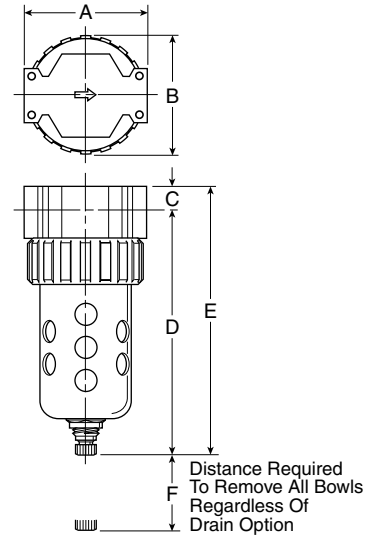
Body	Zinc
Bowls	Transparent Polycarbonate or Metal (Zinc) With or Without Sight Gauge
Bowl Guards	Steel
Collar	Plastic
Deflector, Shroud & Baffle	Plastic
Drain	Plastic
Filter Elements –	
40 Micron (Standard)	Plastic
5 Micron (Optional)	Plastic
Adsorber (Optional)	Activated Charcoal
Seals	Nitrile
Sight Gauge, DPI	Polyamide (Nylon)

06F Filters – Compact



Features

- Excellent water removal efficiency.
- Unique deflector plate and shroud creates a swirling of the air stream ensuring maximum water and dirt separation.
- Large filter element surface guarantees low pressure drop and increased element life.
- Optional Push 'N' Drain requires only fingertip touch to drain. Optional automatic float drain available.
- Shown with recommended metal bowl guard.
- High Flow: 1/4" – 53 SCFM[§]
 3/8" – 80 SCFM[§]
 1/2" – 85 SCFM[§]



Port Size	NPT		BSPP	
	Twist Drain	Automatic Float Drain	Twist Drain	Automatic Float Drain
Poly Bowl [‡] / Metal Guard				
1/4"	06F12AC	06F16AC	06F12AC1	06F16AC1
3/8"	06F22AC	06F26AC	06F22AC1	06F26AC1
1/2"	06F32AC	06F36AC	06F32AC1	06F36AC1
Metal Bowl / Sight Gauge				
1/4"	06F14AC	06F18AC	06F14AC1	06F18AC1
3/8"	06F24AC	06F28AC	06F24AC1	06F28AC1
1/2"	06F34AC	06F38AC	06F34AC1	06F38AC1

06F Filter Dimensions		
A 2.81 71mm	B 2.74 70mm	C .53 13mm
D 5.69 145mm	D[†] 5.74 146mm	E 6.22 158mm
E[†] 6.27 159mm	F 2.25 57mm	

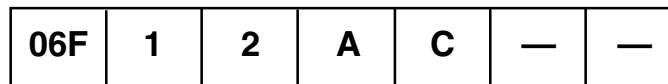
[†] With Automatic Float Drain

Standard part numbers shown, for other models refer to ordering information below.

[‡] For polycarbonate bowl see caution in Product Selection Chart page 2.

[§] SCFM = Standard cubic feet per minute at 90 PSIG inlet and 5 PSIG pressure drop.

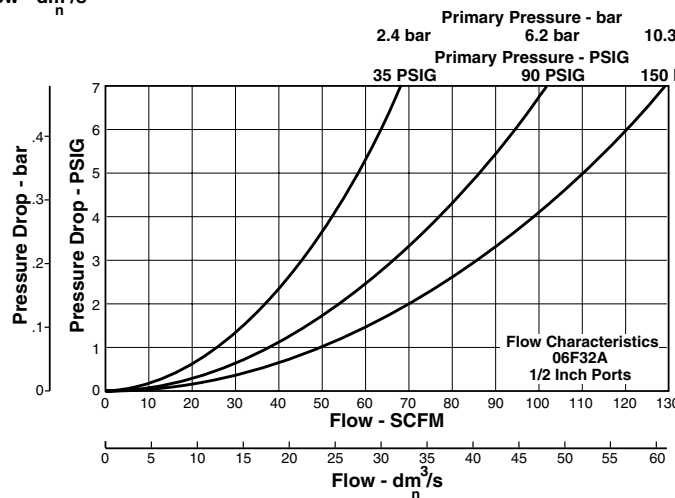
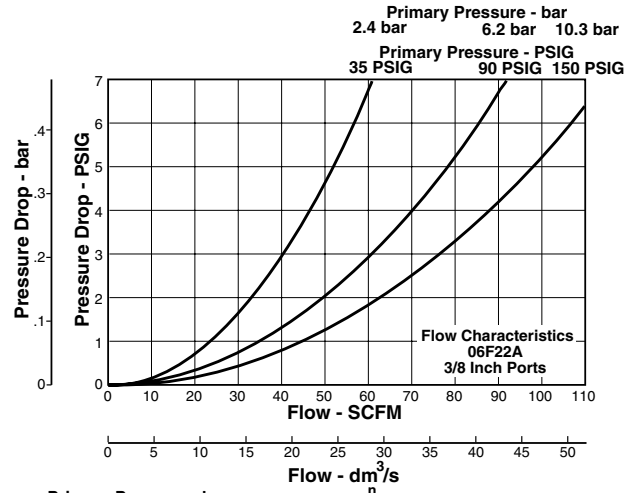
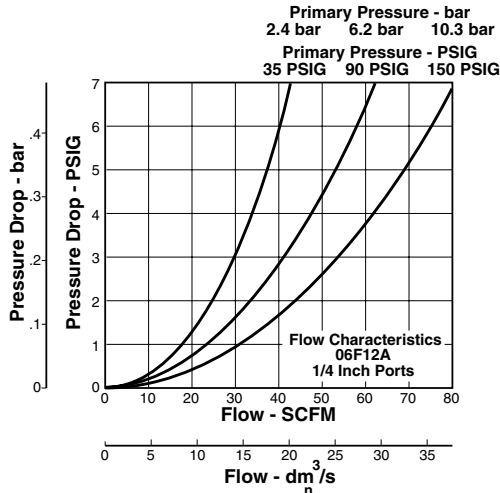
Ordering Information



Port Size	Bowl Options		Elements	Engineering Level	Options	Port Type
1. 1/4 Inch 2. 3/8 Inch 3. 1/2 Inch	Polycarbonate Bowl	Metal Bowl	A. 40 Micron B. 5 Micron Z. Adsorber	C. Current	Blank. None P. Pressure Differential Indicator	Blank. NPT 1. BSPP 2. BSPT
	1. Twist Drain 2. Metal Bowl Guard/ Twist Drain 5. Auto Float Drain 6. Metal Bowl Guard/ Auto Float Drain E. Push 'N' Drain F. Metal Bowl Guard/ Push 'N' Drain J. Semi-Auto Drain K. Metal Bowl Guard/ Semi-Auto Drain	3. Twist Drain 4. Sight Gauge/ Twist Drain 7. Auto Float Drain 8. Sight Gauge/ Auto Float Drain G. Push 'N' Drain H. Sight Gauge/ Push 'N' Drain L. Semi-Auto Drain M. Sight Gauge/ Semi-Auto Drain				

NOTE: Shaded items are standard.

Technical Information



06F Filter Kits & Accessories

Bowl Guard Kit	PS705P
Bowl Kits –	
Poly Bowl – Automatic Float Drain	PS722P
Semi-Auto Drain	PS792P
Twist Drain	PS732P
Push 'N' Drain	PS704P
Metal Bowl – Automatic Float Drain	PS726P
Semi-Auto Drain	PS794P
Twist Drain	PS734P
Push 'N' Drain	PS725P
Sight Gauge / Automatic Float Drain	PS723P
Sight Gauge / Semi-Auto Drain	PS793P
Sight Gauge / Twist Drain	PS735P
Sight Gauge / Push 'N' Drain	PS706P
DPI Replacement Kit	PS781P
Drain Kits –	
Automatic Float Drain	PS506P
Semi-Auto Drain	PS511P
Twist Drain	PS512P
Push 'N' Drain	PS513P
Filter Element Kits – 40 Micron	PS701P
5 Micron	PS702P
Adsorber	PS731P
Mounting Bracket Kit	PS743P
Sight Gauge Kit	PS714P

Specifications

Bowl Capacity	4.4 Ounces
Sump Capacity	1.75 Ounces

Port Threads 1/4, 3/8, 1/2 Inch

Pressure & Temperature Ratings –

Without Differential Pressure Indicator:

 Polycarbonate Bowl – 0 to 150 PSIG (0 to 10.3 bar)

 32°F to 125°F (0°C to 52°C)

 Metal Bowl – 0 to 250 PSIG (0 to 17.2 bar)

 32°F to 175°F (0°C to 80°C)

With Differential Pressure Indicator – 0 to 150 PSIG (0 to 10.3 bar)

 32°F to 125°F (0°C to 52°C)

 Automatic Float Drain – 10 to 250 PSIG (0.7 to 17.2 bar)
 at 125°F (52°C) or less

Weight 1.4 lb. (.6 kg)

Materials of Construction

Body Zinc

Bowls Transparent Polycarbonate or
 Metal (Zinc) With or Without Sight Gauge

Bowl Guards Steel

Collar Plastic

Deflector, Shroud & Baffle Plastic

Drains – Twist Drain – Body & Nut Plastic

 Push 'N' Drain – Body Nitrile

 Stem Brass

 Automatic Float Drain – Housing, Float Plastic

 Seals Nitrile

 Springs, Push Rod Stainless Steel

Filter Elements – 40 Micron (Standard) Plastic

 5 Micron (Optional) Plastic

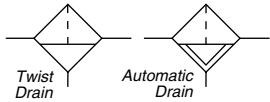
 Adsorber (Optional) Activated Charcoal

Seals Nitrile

Sight Gauge Polyamide

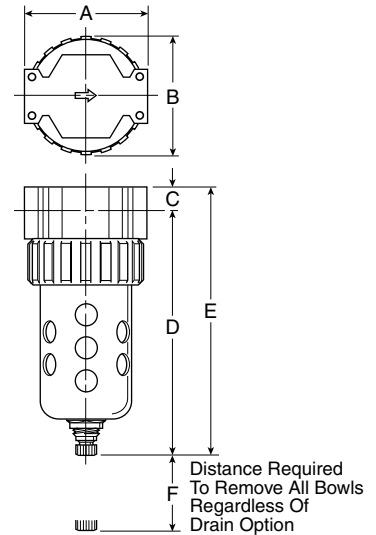


07F Filters – Standard



Features

- Excellent water removal efficiency.
- Unique deflector plate and shroud creates a swirling of the air stream ensuring maximum water and dirt separation.
- Large filter element surface guarantees low pressure drop and increased element life.
- Optional Push 'N' Drain requires only fingertip touch to drain. Optional automatic float drain available.
- Shown with recommended metal bowl guard.
- High Flow: 3/8" – 100 SCFM[§]
 1/2" – 130 SCFM[§]
 3/4" – 145 SCFM[§]



Port Size	NPT		BSPP	
	Twist Drain	Automatic Float Drain	Twist Drain	Automatic Float Drain
Poly Bowl [‡] / Metal Guard				
3/8"	07F22AC	07F26AC	07F22AC1	07F26AC1
1/2"	07F32AC	07F36AC	07F32AC1	07F36AC1
3/4"	07F42AC	07F46AC	07F42AC1	07F46AC1
Metal Bowl / Sight Gauge				
3/8"	07F24AC	07F28AC	07F24AC1	07F28AC1
1/2"	07F34AC	07F38AC	07F34AC1	07F38AC1
3/4"	07F44AC	07F48AC	07F44AC1	07F48AC1

07F Filter Dimensions		
A 3.24 82mm	B 3.25 83mm	C .70 18mm
D 6.97 177mm	D[†] 7.00 178mm	E 7.67 195mm
E[†] 7.70 196mm	F 2.75 70mm	

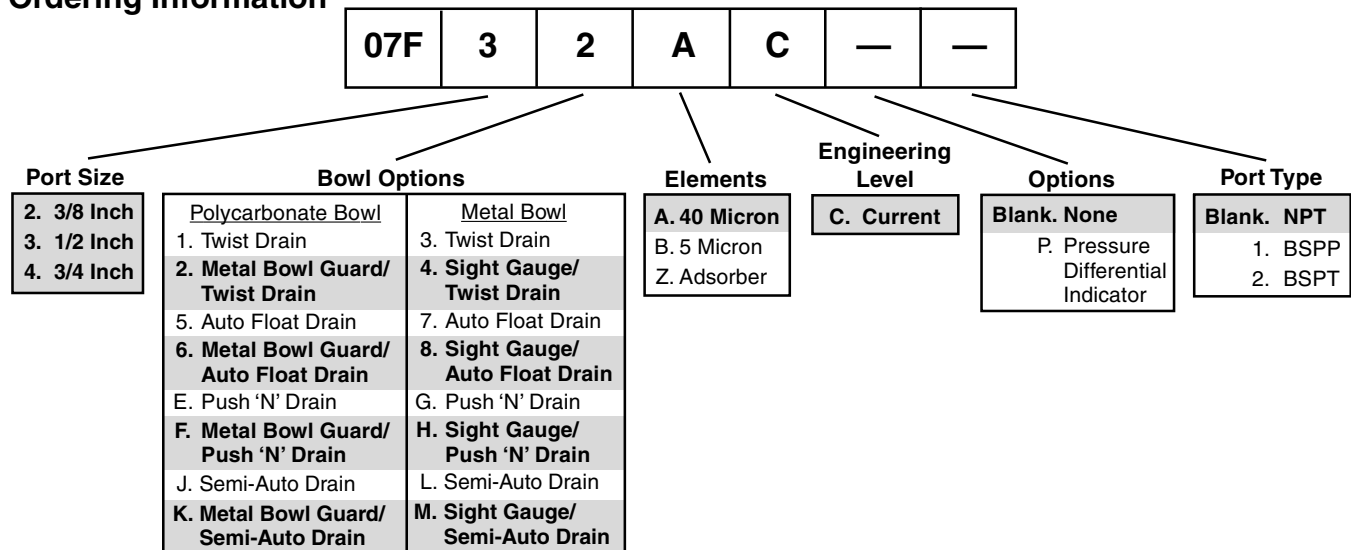
[†] With Automatic Float Drain

Standard part numbers shown, for other models refer to ordering information below.

[‡] For polycarbonate bowl see caution in Product Selection Chart page 2.

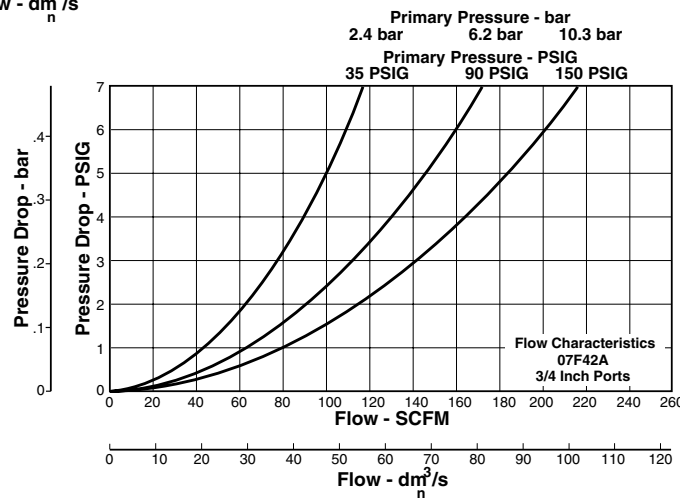
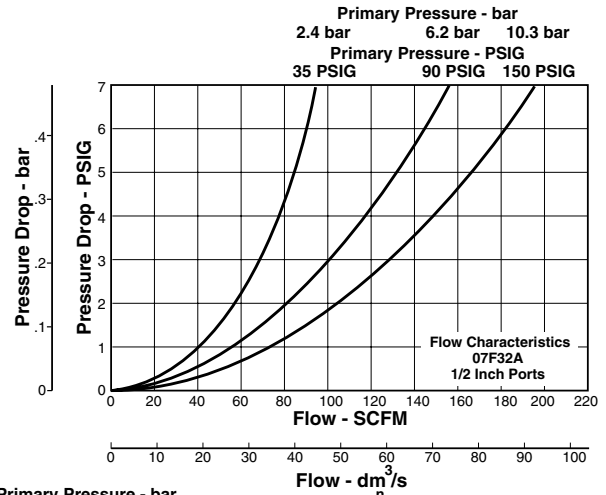
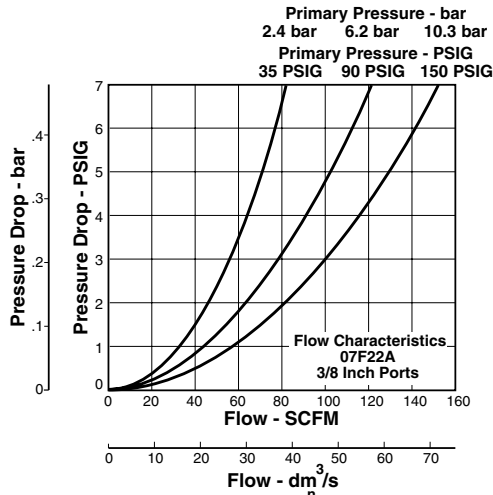
[§] SCFM = Standard cubic feet per minute at 90 PSIG inlet and 5 PSIG pressure drop.

Ordering Information



NOTE: Shaded items are standard.

Technical Information



07F Filter Kits & Accessories

Bowl Guard Kit	PS805P
Bowl Kits –	
Poly Bowl – Automatic Float Drain	PS822P
Semi-Auto Drain	PS892P
Twist Drain	PS832P
Push 'N' Drain	PS804P
Metal Bowl – Automatic Float Drain	PS826P
Semi-Auto Drain	PS894P
Twist Drain	PS834P
Push 'N' Drain	PS825P
Sight Gauge / Automatic Drain	PS823P
Sight Gauge / Semi-Auto Drain	PS893P
Sight Gauge / Twist Drain	PS835P
Sight Gauge / Push 'N' Drain	PS806P
DPI Replacement Kit	PS781P
Drain Kits –	
Automatic Float Drain	PS506P
Semi-Auto Drain	PS511P
Twist Drain	PS512P
Push 'N' Drain	PS513P
Filter Element Kits –	
40 Micron	PS801P
5 Micron	PS802P
Adsorber	PS831P
Mounting Bracket Kit	PS843P
Sight Gauge Kit	PS814P

Specifications

Bowl Capacity	7.2 Ounces
Sump Capacity	2.8 Ounces

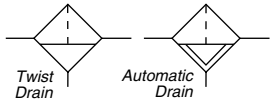
Port Threads	3/8, 1/2, 3/4 Inch
Pressure & Temperature Ratings –	
Without Differential Pressure Indicator:	
Polycarbonate Bowl – 0 to 150 PSIG (0 to 10.3 bar)	32°F to 125°F (0°C to 52°C)
Metal Bowl – 0 to 250 PSIG (0 to 17.2 bar)	32°F to 175°F (0°C to 80°C)
With Differential Pressure Indicator – 0 to 150 PSIG (0 to 10.3 bar)	32°F to 125°F (0°C to 52°C)
Automatic Float Drain – 10 to 250 PSIG (0.7 to 17.2 bar)	at 125°F (52°C) or less
Weight	2.2 lb. (1.0 kg)

Materials of Construction

Body	Zinc
Bowls	Transparent Polycarbonate
	Metal (Zinc) With or Without Sight Gauge
Bowl Guards	Steel
Collar	Plastic or Metal
Deflector, Shroud & Baffle	Plastic
Drains –	
Twist Drain – Body & Nut	Plastic
Push 'N' Drain – Body	Nitrile
Stem	Brass
Automatic Float Drain – Housing, Float	Plastic
Seals	Nitrile
Springs, Push Rod	Stainless Steel
Filter Elements –	
40 Micron (Standard)	Plastic
5 Micron (Optional)	Plastic
Adsorber (Optional)	Activated Charcoal
Seals	Nitrile
Sight Gauge	Polyamide

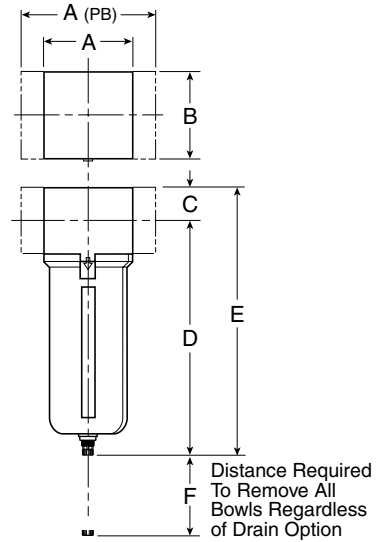


P3NF Filters – Hi-Flow



Features

- Port blocks (PB) available to provide 1-1/2" port extension to 1" ported bodies.
- Excellent water removal efficiency.
- Metal bowl with sight gauge.
- Large filter element surface guarantees low pressure drop and increased element life.
- Twist Drain as standard, optional automatic float drain.
- High Flow: 3/4" – 270 SCFM[§]
 1" – 300 SCFM[§]
 1-1/2" – 310 SCFM[§]



Port Size	NPT		BSPP	
	Twist Drain	Automatic Float Drain	Twist Drain	Automatic Float Drain
Metal Bowl / Sight Gauge				
3/4"	P3NFA96GSM	P3NFA96GSA	P3NFA16GSM	P3NFA16GSA
1"	P3NFA98GSM	P3NFA98GSA	P3NFA18GSM	P3NFA18GSA
1-1/2" #	P3NFA9PGSM	P3NFA9PGSA	P3NFA1PGSM	P3NFA1PGSA

P3NF Filter Dimensions		
A 3.62 92mm	A (PB) 5.59 142mm	B 3.62 92mm
C 1.38 35mm	D† 9.57 243mm	E† 10.95 278mm
F 4.92 125mm		

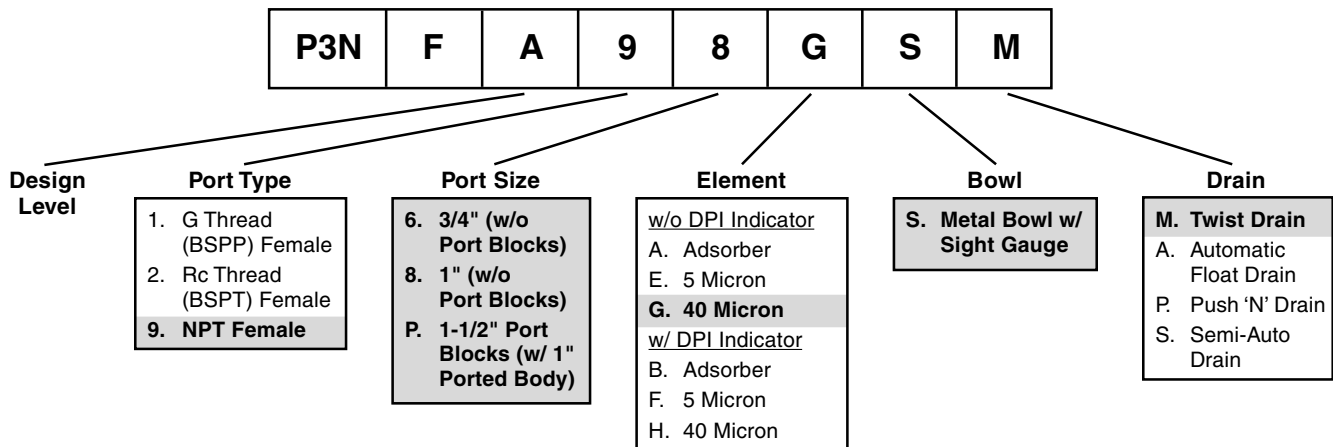
Standard part numbers shown, for other models refer to ordering information below.

1" Port Body with 1-1/2" Port Block.

§ SCFM = Standard cubic feet per minute at 90 PSIG inlet and 5 PSIG pressure drop, with 40 micron element.

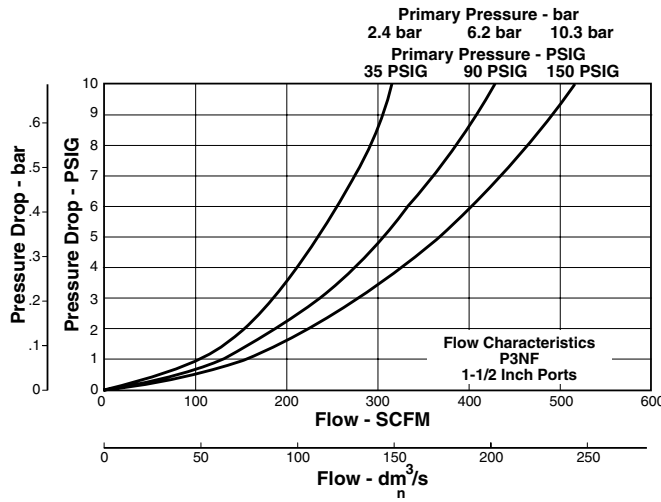
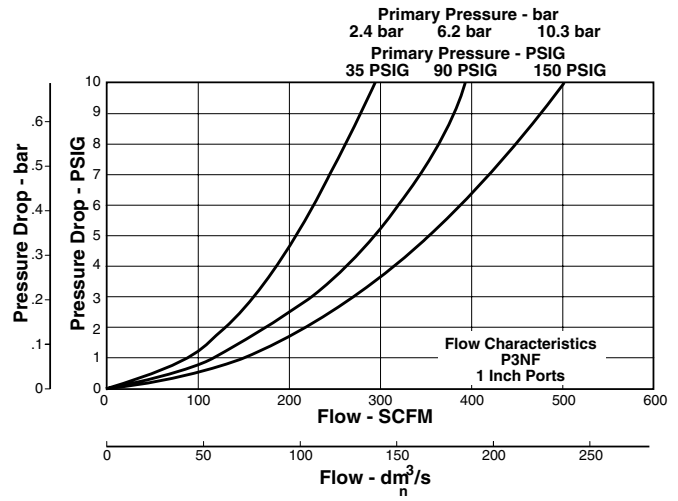
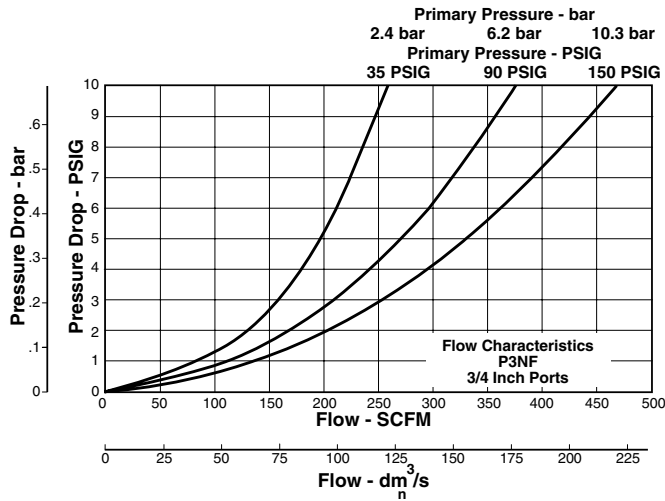
† With Twist Drain or Automatic Float Drain

Ordering Information



NOTE: Shaded items are standard.

Technical Information



P3NF Filter Kits & Accessories

- Bowl Kits –**
 - Metal Bowl – Sight Gauge / Automatic Float Drain ... P3NKA00BSA
 - Sight Gauge / Twist Drain P3NKA00BSM
 - Sight Gauge / Push 'N' Drain P3NKA00BSP
- Bowl Latch Kit** C11A33
- DPI Replacement Kit** PS781P
- Drain Kit –**
 - Automatic Float Drain PS506P
 - Semi-Auto Drain PS511P
 - Twist Drain PS512P
 - Push 'N' Drain PS513P
- Filter Elements –**
 - 40 Micron P3NKA00ESG
 - 5 Micron P3NKA00ESE
 - Adsorber P3NKA00ESA
- Mounting Bracket Kit** P3NKA00MW
- Sight Gauge Kit** P3NKA00PE

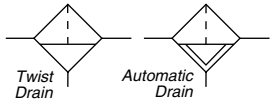
Specifications

- Body** Aluminum
- Bowl Capacity** 18.0 Ounces
- Sump Capacity** 6.8 Ounces
- Deflector** Plastic
- Drain** Plastic
- Filter Elements –**
 - 40 Micron (Standard) Plastic
 - 5 Micron (Optional) Plastic
 - Adsorber (Optional) Activated Charcoal
- Pressure & Temperature Rating** 0 to 250 PSIG (0 to 17 bar)
32°F to 175°F (0°C to 80°C)
- Seals** Nitrile
- Sight Gauge** Polyamide (Nylon)
- Weight –**
 - 3/4" 3.5 lb. (1.6 kg)
 - 1" 3.5 lb. (1.6 kg)
 - 1-1/2" # 4.6 lb. (2.1 kg)

1" Port Body with 1-1/2" Port Block.

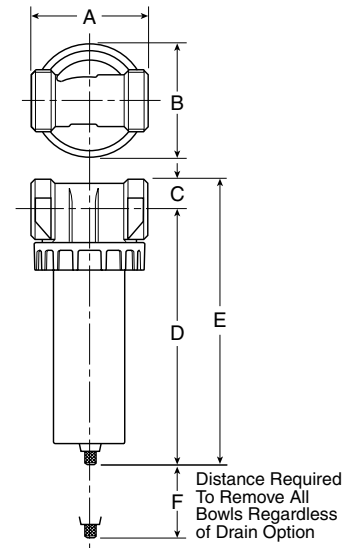


PF602 Filters – Hi-Flow



Features

- Excellent water removal efficiency.
- 32 oz. Metal bowl.
- Large filter element surface guarantees low pressure drop and increased element life.
- Twist Drain as standard, optional auto drain.
- High Flow:
 - 1" – 350 SCFM[§]
 - 1-1/4" – 380 SCFM[§]
 - 1-1/2" – 380 SCFM[§]



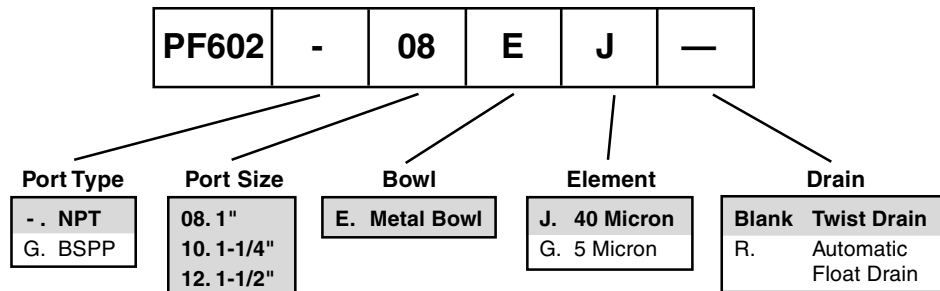
Port Size	NPT		BSPP	
	Twist Drain	Automatic Float Drain	Twist Drain	Automatic Float Drain
Metal Bowl				
1"	PF602-08EJ	PF602-08EJR	PF602G08EJ	PF602G08EJR
1-1/4"	PF602-10EJ	PF602-10EJR	PF602G10EJ	PF602G10EJR
1-1/2" #	PF602-12EJ	PF602-12EJR	PF602G12EJ	PF602G12EJR

PF602-08 Filter Dimensions		
A 4.56 116mm	B 4.97 126mm	C .94 24mm
D 10.69 271mm	E 11.63 295mm	F 3.25 83mm
PF602-10 & PF602-12 Filter Dimensions		
A 5.19 132mm	B 4.97 126mm	C 1.28 33mm
D 11.13 283mm	E 12.41 315mm	F 3.25 83mm

Standard part numbers shown, for other models refer to ordering information below.

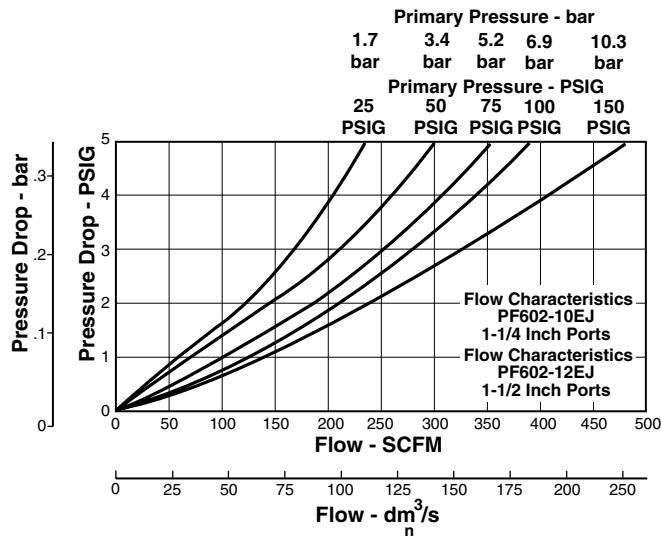
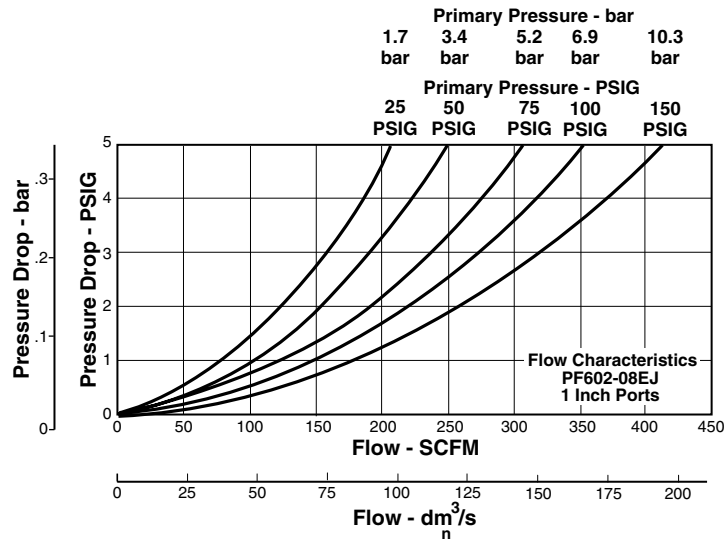
[§] SCFM = Standard cubic feet per minute at 90 PSIG inlet and 5 PSIG pressure drop, with 40 micron element.

Ordering Information



NOTE: Shaded items are standard.

Technical Information



PF602 Filter Kits & Accessories

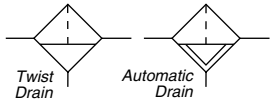
Bowl	PBK603B
Drain Kit – Automatic Drain	PSA602MD
Twist Drain	PSA600Y7-1
Filter Elements – 40 Micron	PEK602B
5 Micron	PEK602VB
Mounting Bracket Kit (For 1" ported body only)	SA200CW57
Repair Kit (Deflector, Baffle & Post)	
1" Ported Body	PRK602B
1-1/4" & 1-1/2" Ported Body	PRK602C

Specifications

Body	Zinc
Bowl	Aluminum
Bowl Capacity	32 Ounces
Sump Capacity	19 Ounces
Deflector	Aluminum
Drain	Brass
Filter Elements –	
40 Micron (Standard)	Polypropylene
5 Micron (Optional)	Polypropylene
Pressure & Temperature Ratings –	
Manual Drain – 0 to 300 PSIG (0 to 20.7 bar)	
32°F to 180°F (0°C to 82°C)	
Automatic Float Drain – 15 to 175 PSIG (1 to 12 bar)	
32°F to 120°F (0°C to 49°C)	
Seals	Nitrile
Weight – 1"	7 lb. (3.2 kg)
1-1/2"	7.7 lb. (3.5 kg)

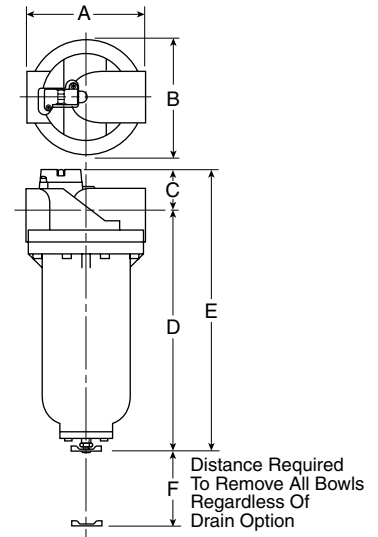


09F Filters – Hi-Flow



Features

- Metal bowl standard.
- 5 micron element.
- Large capacity bowl.
- Standard differential pressure indicator.
- High Flow: 2" – 1000 SCFM[§]



Port Size	NPT	
	Twist Drain	Automatic Float Drain
2"	09F83BB	09F87BB

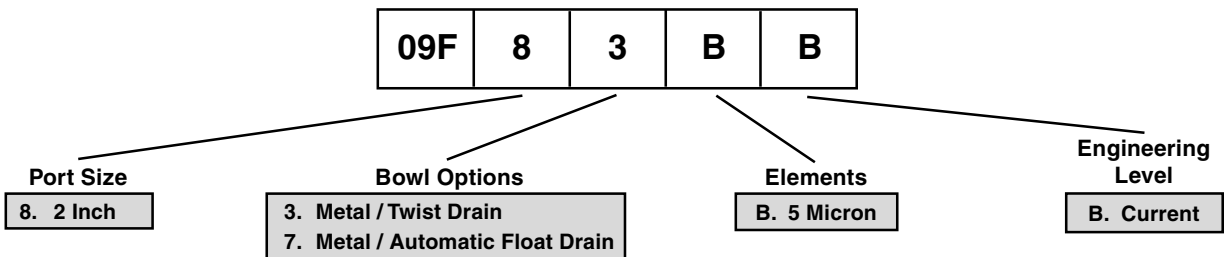
09F Filter Dimensions		
A	B	C
7.80 92mm	7.75 142mm	2.83 92mm
D†	E†	F
16.24 412mm	19.07 484mm	4.92 125mm

Standard part numbers shown, for other models refer to ordering information below.

[§] SCFM = Standard cubic feet per minute at 90 PSIG inlet and 5 PSIG pressure drop.

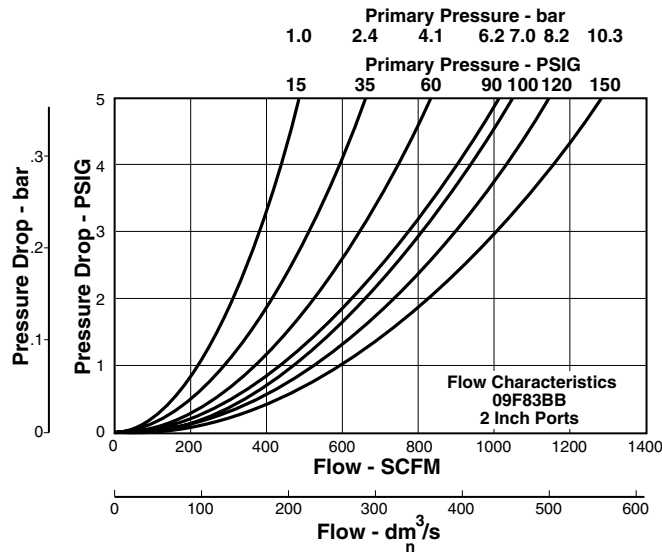
[†] With Twist Drain or Automatic Float Drain

Ordering Information



NOTE: Shaded items are standard.

Technical Information



09F Filter Kits & Accessories

Differential Pressure Indicator	PS619P
Drain Kits – Automatic Float Drain	PS620P
Twist Drain	PS625P
Filter Element Kit – 5 Micron Element	PS618P

Specifications

Bowl Capacity	117 Ounces
Sump Capacity	12.5 Ounces
Port Threads	2 Inch
Pressure & Temperature Ratings	150 PSIG at 150°F (10.3 bar at 66°C)
Weight	19.3 lb. (8.7 kg)

Materials of Construction

Body	Aluminum
Bowls	Metal
Deflector	Steel
Drains – Twist Drain	Brass Petcock
Automatic Float Drain –	
Housing, Float	Plastic
Seals	Buna N
Springs, Push Rod	Stainless Steel
Filter Element	Plastic
Seals	Fluorocarbon

