



SEALS TO SUIT  
AHLSTROM APP/APT PUMPS  
SAFEMATIC<sup>®</sup> Seal X-References



The AESSEAL<sup>®</sup> Group  
of Companies

Designers and  
Manufacturers of  
Mechanical Seals and  
Engineered Seal  
Support Systems

AESSEAL®

AHLSTROM APP/APT

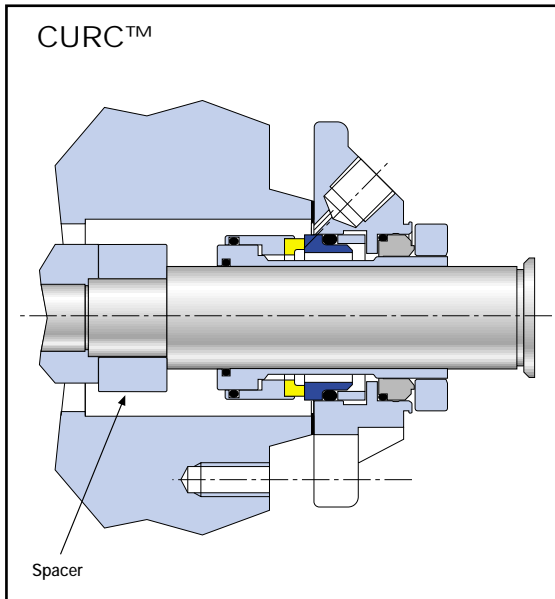
PUMPS

L-UK/US-APP/APT-02

IN 4618 - 01/2002

2

# AHLSTROM APP/APT PUMPS - SAFEMATIC® SEAL X-REFERENCE



V

SAFEMATIC® Seal  
SEW™ Component  
Single Quench Seal.

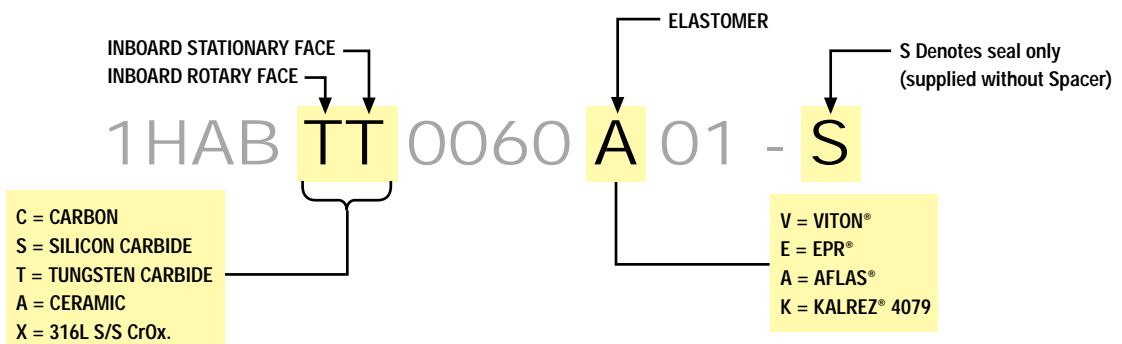
Bearing Unit No	Bare Shaft Size	AESSEAL® CURC™ GA DRG No	AESSEAL® CURC™ Stock Code	SAFEMATIC® SEW™ Stock Code
1	30mm	6463383	1HABTT0030A01*	SEW-T-30-XXXX†
2	40mm	6463383	1HABTT0040A01*	SEW-T-40-XXXX†
3	50mm	6463383	1HABTT0050A01*	SEW-T-50-XXXX†
4	60mm	6463383	1HABTT0060A01*	SEW-T-60-XXXX†
5	80mm	6463383	1HABTT0080A01*	SEW-T-80-XXXX†
6	90mm	6463383	1HABTT0090A01*	SEW-T-90-XXXX†

\*Supplied with Spacer

†See Seal Code Breakdown on Page 5

NOTES: Seal Stock Codes relate to TC v. TC Seal Faces & AFLAS® O-Rings  
AESSEAL® Pricing Available Work in Progress AHLSTROM-APP/APT

EG. 60mm CURC™ TC v. TC AFLAS® O-Rings



ENVIRONMENTAL TECHNOLOGY

# AHLSTROM APP/APT PUMPS - SAFEMATIC® SEAL X-REFERENCE

AESSEAL®

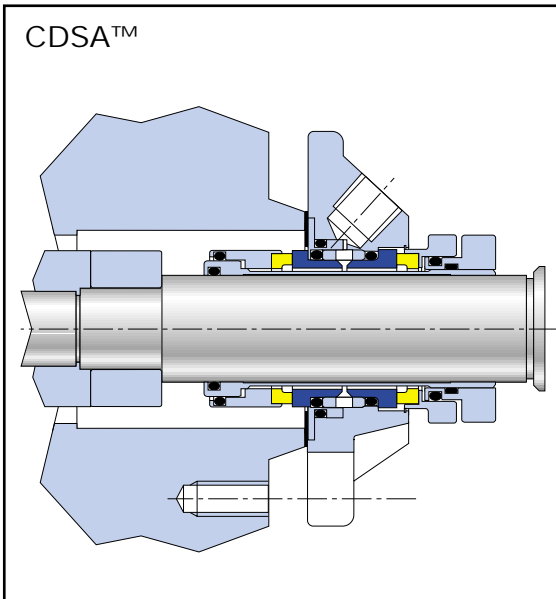
AHLSTROM APP/APT

PUMPS

L-UK/US-APP/APT-02

IN 4618 - 01/2002

3



V

SAFEMATIC® Seal SE2™ Component Double Seal.

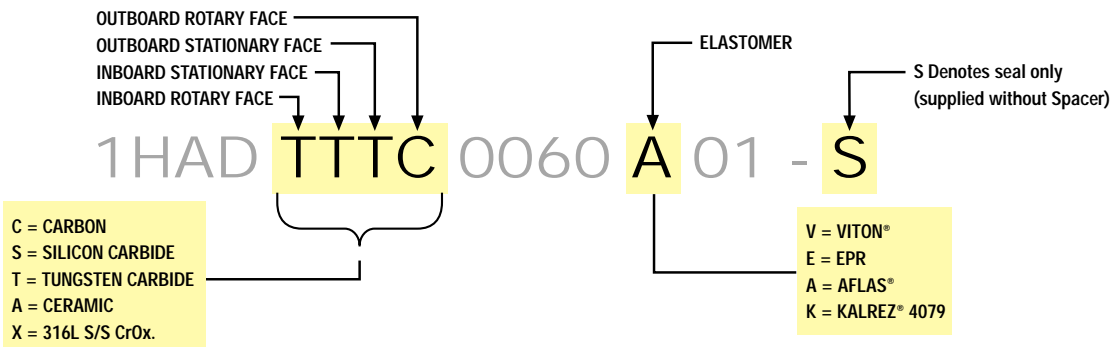
Bearing Unit No	Bare Shaft Size	AESSEAL® CDSA™ GA DRG No	AESSEAL® CDSA™ Stock Code	SAFEMATIC® SE2™ Stock Code
1	30mm	6463373	1HADTTTC0030A01*	SE2-T-30-XXXX†
2	40mm	6463373	1HADTTTC0040A01*	SE2-T-40-XXXX†
3	50mm	6463373	1HADTTTC0050A01*	SE2-T-50-XXXX†
4	60mm	6463373	1HADTTTC0060A01*	SE2-T-60-XXXX†
5	80mm	6463373	1HADTTTC0080A01*	SE2-T-80-XXXX†
6	90mm	6463373	1HADTTTC0090A01*	SE2-T-90-XXXX†

\*Supplied with Spacer

†See Seal Code Breakdown on Page 5

NOTES: Seal Stock Codes relate to TC v. TC Seal Faces & AFLAS® O-Rings  
AESSEAL® Pricing Available Work in Progress AHLSTROM-APP/APT

EG. 60mm CDSA™ TC v. TC (Inboard) TC v. CARBON (Outboard) AFLAS® O-Rings



# AHLSTROM APP/APT PUMPS - EXOTIC DESIGN

AHLSTROM APP/APT

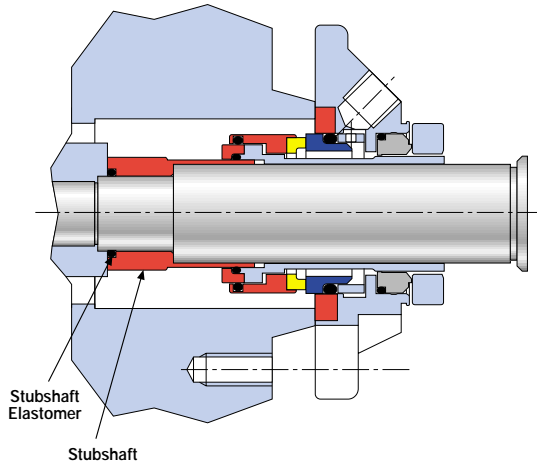
PUMPS

L-UK/US-APP/APT-02

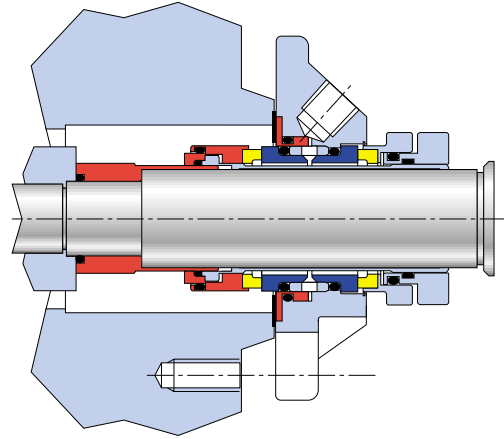
IN 4618 - 01/2002

4

EXOTIC CURC™



EXOTIC CDSA™



Bearing Unit No	Bare Shaft Size	EXOTIC CURC™		EXOTIC CDSA™	
		GA DRG No	Stock Code	GA DRG No	Stock Code
1	30mm	6463385	1HABTT0030A07*	6463384	1HADTTTC0030A07**
2	40mm	6463385	1HABTT0040A07*	6463384	1HADTTTC0040A07**
3	50mm	6463385	1HABTT0050A07*	6463384	1HADTTTC0050A07**
4	60mm	6463385	1HABTT0060A07*	6463384	1HADTTTC0060A07**
5	80mm	6463385	1HABTT0080A07*	6463384	1HADTTTC0080A07**
6	90mm	6463385	1HABTT0090A07*	6463384	1HADTTTC0090A07**

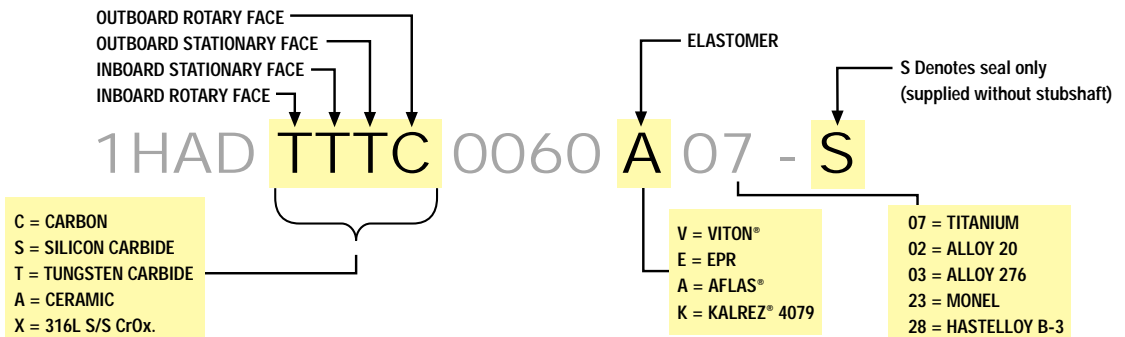
\*Seal only is supplied with Stubshaft Elastomer as standard

\*\*Supplied with Stubshaft

NOTES: Seal Stock Codes relate to TC v. TC Seal Faces & AFLAS® O-Rings

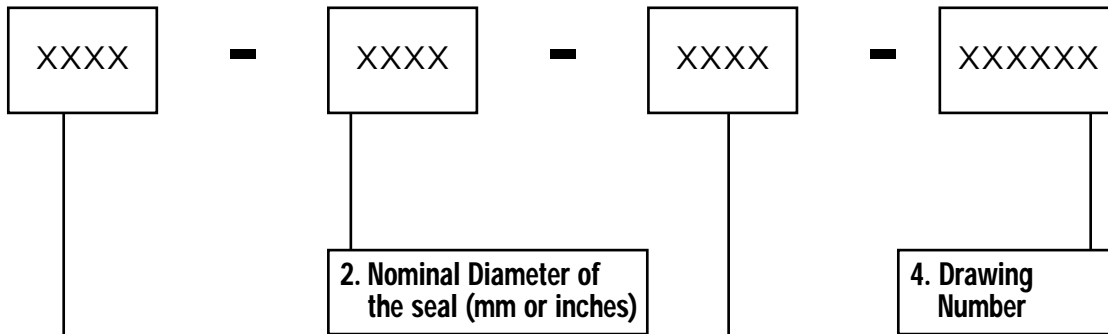
AESSEAL® Pricing Available Work in Progress AHLSTROM-APP/APT

EG. 60mm EXOTIC CDSA™ TC v. TC (Inboard) TC v. Carbon (Outboard) AFLAS® O-Rings, Titanium wetted parts.



# SAFEMATIC® SEAL CODING SYSTEM

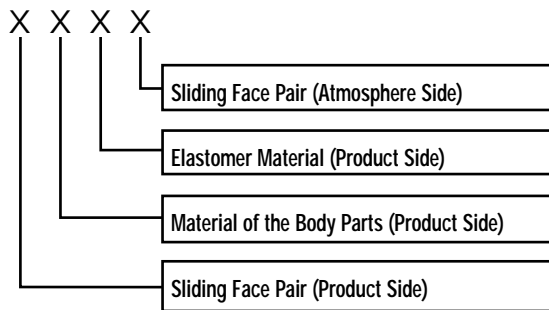
**(NEW MARKINGS)**



## 1. Seal Type

Code	Seal Type
SE1	Component Single Seal
SEW	Component Single Quench Seal
SE2	Component Double Seal
SB1	Cartridge Single Seal
SB1-A	Cartridge Single Seal, ANSI Sizes
SB2	Cartridge Double Seal
SB2-A	Cartridge Double Seal, ANSI Sizes
SPC	High Pressure Double Seal
SBG	Sunds Refiner Double Seal
SAF	O.E.M. Double Seal

## 3. Material Code



AESSEAL®

AHLSTROM APP/APT

PUMPS

L-UK/US-APP/APT-02

IN 4618 - 01/2002

5



# Material Code Breakdown

AHLSTROM APP/APT

Sliding Face Material    

Code	Seal Face	
Q	Silicon Carbide	Silicon Carbide
G	Silicon Carbide	Carbon
T	Tungsten Carbide	Tungsten Carbide
N	Tungsten Carbide	Carbon
P	Ceramic	Glass Reinforced PTFE
Z	316 SS	Carbon

PUMPS

L-UK/US-APP/APT-02

IN 4618 - 01/2002

6

In Single Seal configuration fourth digit is zero (0).    Quench Seal: Fourth digit indicates external sealing component Atmosphere side.    

Code	Description	Code	Description
P	Packing	M	Bushing
V	V-Ring	H	Oil Seal

Body Part Material (Product Side)    

Code	Description	Code	Description
R	316 SS	T	Titanium
H	Alloy 276	U	Alloy 20

Elastomer Material (Product Side)    

Code	Description	Code	Description
M	PTFE	V	Viton®
E	EPDM	K	Kalrez®

Material of body parts (Atmosphere Side) generally 316 SS or 329 SS

Elastomer material (Atmosphere Side) generally EPDM

# Examples of SAFEMATIC® Seal Code Breakdown

## SE1-T-80-GRE0-123456

SE1 = Component Single Seal  
T-80 = Seal Size 80mm  
GRE0 = SiC/Carbon-316 SS-EPDM-Single Seal  
123456 = Drawing Number

## SEW-T-30-GREV-123456

SEW = Component Single Quench Seal  
T-30 = Seal Size 30mm  
GREV = SiC/Carbon-316 SS-EPDM-V Ring  
123456 = Drawing Number

## SE2-T-30-QREG-123456

SE2 = Component Double Seal  
T-30 = Seal Size 30mm  
QREG = SiC/SiC-316 SS-EPDM-SiC/Carbon  
123456 = Drawing Number

For any further information please contact the  
AESSEAL® Technical Department.

AESSEAL®

AHLSTROM APP/APT

PUMPS

L-UK/US-APP/APT-02

IN 4618 - 01/2002

7



EXCEPT AS EXPRESSLY PROVIDED HEREIN, AESSEAL plc SHALL NOT BE LIABLE FOR THE BREACH OF ANY WARRANTY, EXPRESS OR IMPLIED, INCLUDING WITHOUT LIMITATION ANY WARRANTY OF MERCHANTABILITY OF FITNESS FOR A PARTICULAR PURPOSE, OR FOR ANY DAMAGES OR OTHER LIABILITY ARISING OUT OF OR IN CONJUNCTION WITH CUSTOMERS' USE OF SUPPLIER PRODUCTS OR AESSEAL plc OR THE AUTHORISED DISTRIBUTOR DESIGNING, MANUFACTURING OR SELLING SUPPLIER PRODUCTS. IN NO EVENT SHALL AESSEAL plc BE LIABLE FOR DIRECT, SPECIAL, INCIDENTAL OR CONSEQUENTIAL DAMAGES, INCLUDING WITHOUT LIMITATION LOST SALES OR PROFIT, LOST PRODUCTION OR OUTPUT, INJURY TO PROPERTY OR REPUTATION, OR ANY OTHER DAMAGES WHETHER ARISING IN CONTRACT OR TORT OR OTHERWISE (WHETHER OR NOT ATTRIBUTABLE TO THE FAULT OR NEGLIGENCE OF AESSEAL plc). UNDER NO CIRCUMSTANCES SHALL ANY RECOVERY OF ANY KIND AGAINST AESSEAL plc BE GREATER IN AMOUNT THAN THE PRICE OF THE PRODUCT TO THE END USER.

This information corresponds to our current knowledge on the subject. It is offered solely to provide possible suggestions for your own experimentations. It is not intended, however, to substitute for any testing you may need to conduct to determine for yourself the suitability of our products for your particular purposes. This information may be subject to revision as new knowledge and experience becomes available. Since we cannot anticipate all variations in actual end-use conditions, AESSEAL plc makes no warranties and assumes no liability in connection with any use of this information. Nothing in this publication is to be considered as a licence to operate under or a recommendation to infringe any patent right.

THIS DOCUMENT IS DESIGNED TO PROVIDE DIMENSIONAL INFORMATION AND AN INDICATION OF AVAILABILITY. FOR FURTHER INFORMATION AND SAFE OPERATING LIMITS CONTACT OUR TECHNICAL SPECIALISTS AT THE LOCATIONS BELOW.



**INVESTOR IN PEOPLE**

USE DOUBLE MECHANICAL SEALS WITH HAZARDOUS PRODUCTS. ALWAYS TAKE SAFETY PRECAUTIONS:

- GUARD YOUR EQUIPMENT
- WEAR PROTECTIVE CLOTHING



**WARNING**

AESSEAL plc  
Mill Close  
Templeborough  
Rotherham  
S60 1BZ  
United Kingdom

Telephone:  
Fax:  
E-mail:  
Internet:

WINNER OF THE  
NATWEST  
SUNDAY TIMES  
COMPANY OF  
TOMORROW  
AWARD

+44 (0) 1709 369966  
+44 (0) 1709 720788  
seals@aes seal.com  
<http://www.aes seal.com>

Distributed by:

USA Sales & Technical advice:  
AESSEAL Inc.  
10231 Cogdill Road  
Suite 105  
Knoxville, TN 37932  
USA

Telephone: 865 531 0192  
Fax: 865 531 0571

© Copyright AESSEAL plc 2002  
All Rights Reserved

AES / DOC / IN 4618 01/2002

CDSA™ and the CURC™ are Trademarks of AESSEAL plc

Registered Trademarks: AESSEAL® - AESSEAL plc  
Safematic® - John Crane Safematic

Viton®, Kalrez® - DuPont Dow Elastomers - Hastelloy® - Haynes International, Inc. Aflas® - Asahi Glass Co.

ALL SIZES ARE SUBJECT TO MANUFACTURING TOLERANCES. WE RESERVE THE RIGHT TO MODIFY SPECIFICATIONS AT ANY TIME.

Reference • L - UK - APP/APT - 02