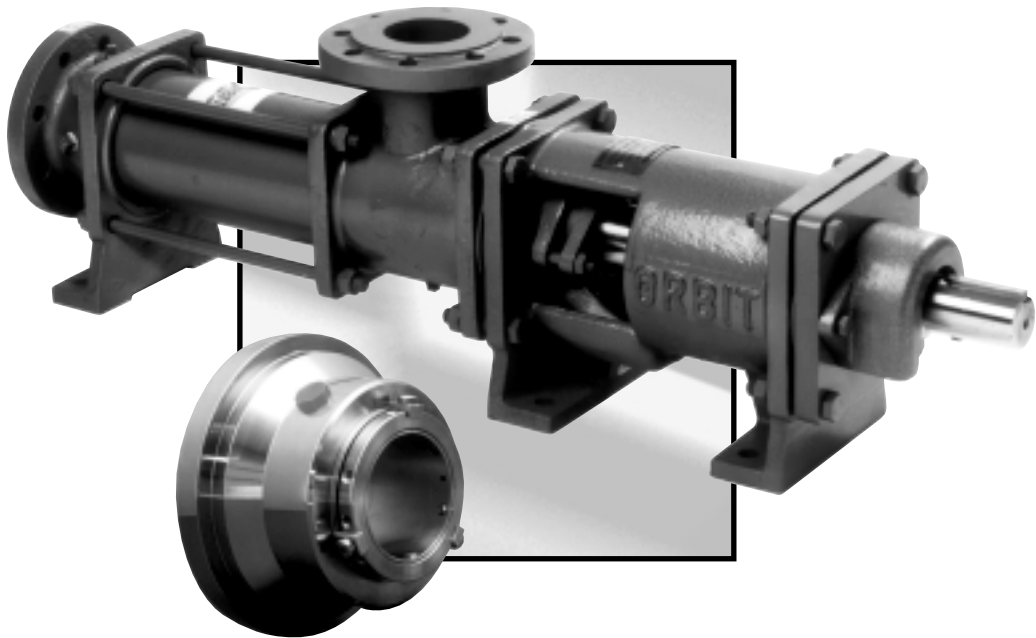




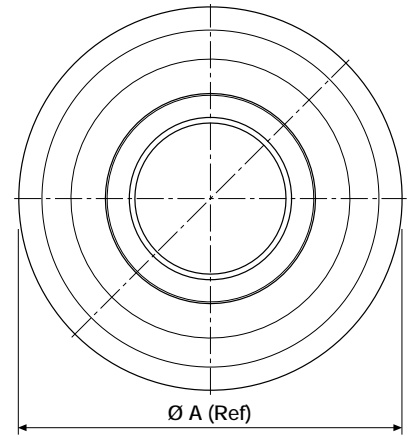
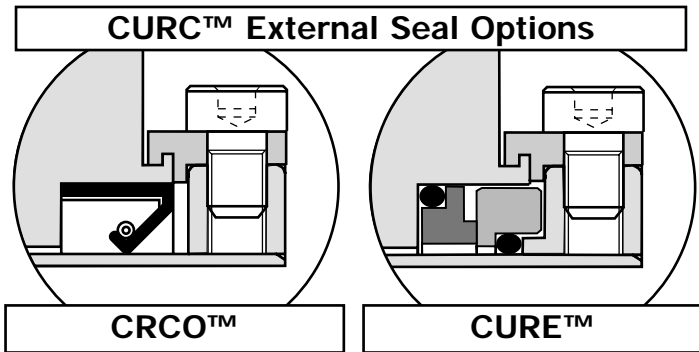
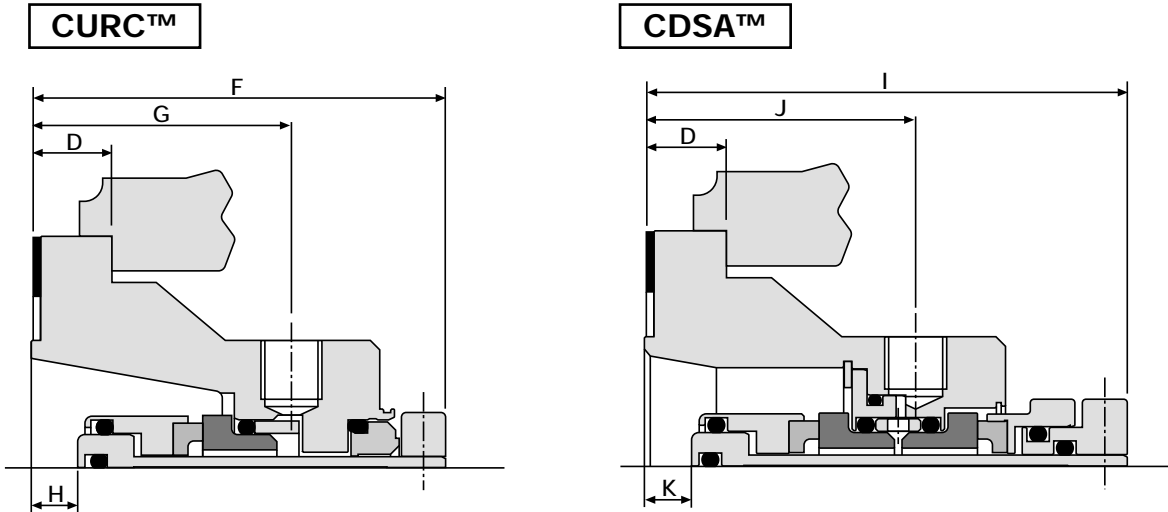
ENVIRONMENTAL TECHNOLOGY

Cartridge Seals to suit ORBIT PUMPS



- GLAND DESIGN TO SUIT
ORBIT INDUSTRIAL POSITIVE
DISPLACEMENT PUMPS
- CARTRIDGE DESIGN
- SINGLE AND DOUBLE SEAL
CONFIGURATIONS
- NO SHAFT FRETTING
- GLANDS INCORPORATE
ENVIRONMENTAL PORTING
OPTIONS

Single and Double Cartridge Seals to Suit Orbit Pumps



| Pump Size | Seal Size | A | B | C | D | E | F | G | H | I | J | K |
|-----------|-----------|-------|-------|-------|-------|-------|-------|-------|-------|--------|-------|-------|
| 40 | 35 | 102.0 | 77.45 | 47.82 | 12.00 | 19.77 | 77.54 | 49.73 | 9.59 | 91.59 | 52.70 | 9.59 |
| 50 | 45 | 130.0 | 80.61 | 50.00 | 14.00 | 17.64 | 80.61 | 51.78 | 9.59 | 93.76 | 54.25 | 9.59 |
| 80 | 65 | 165.0 | 89.39 | 53.80 | 17.00 | 23.04 | 89.39 | 55.72 | 10.01 | 101.97 | 57.11 | 10.01 |
| 100 | 80 | 165.0 | 89.39 | 53.80 | 18.00 | 23.04 | 89.39 | 55.72 | 10.01 | 101.97 | 57.11 | 10.01 |

The CURC™ CRCO™ CURE™ and CDSA™ cartridge seals to suit ORBIT Positive Displacement Pumps are available in a wide range of seal face and elastomer combinations to suit individual applications. A full range of seal support systems are available on request.

THIS DOCUMENT IS DESIGNED TO PROVIDE DIMENSIONAL INFORMATION AND AN INDICATION OF AVAILABILITY. FOR FURTHER INFORMATION AND SAFE OPERATING LIMITS CONTACT OUR TECHNICAL SPECIALISTS AT THE LOCATIONS BELOW.



USE DOUBLE MECHANICAL SEALS WITH HAZARDOUS PRODUCTS. ALWAYS TAKE SAFETY PRECAUTIONS:

- GUARD YOUR EQUIPMENT
- WEAR PROTECTIVE CLOTHING



AESSEAL plc
Mill Close
Templeborough
Rotherham
S60 1BZ
United Kingdom
Telephone:
Fax:
E-mail:
Internet:

WINNER OF THE
NATWEST
SUNDAY TIMES
COMPANY OF
TOMORROW
AWARD
+44 (0) 1709 369966
+44 (0) 1709 720788
seals@aes seal.com
http://www.aes seal.com

Distributed by:

USA Sales & Technical advice:
AESSEAL Inc.
10231 Cogdill Road
Suite 105
Knoxville, TN 37932
USA
Telephone: 865 531 0192
Fax: 865 531 0571

ALL SIZES ARE SUBJECT TO MANUFACTURING TOLERANCES. WE RESERVE THE RIGHT TO MODIFY SPECIFICATIONS AT ANY TIME.