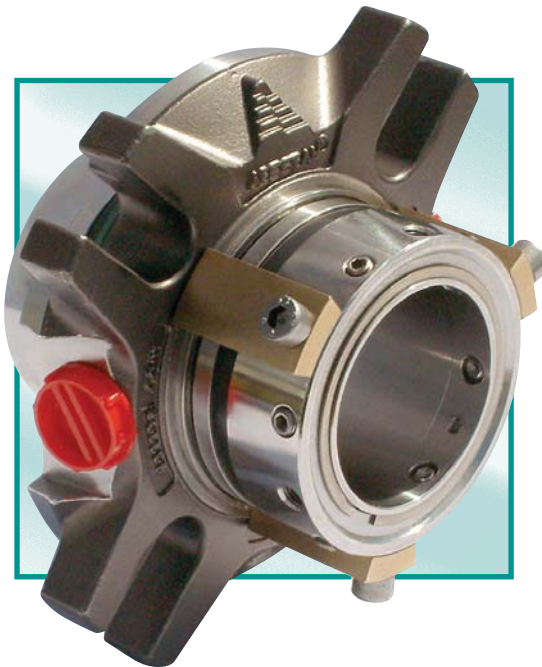




ENVIRONMENTAL TECHNOLOGY

DISP™, SISS™ & SISR™

Double and Single Stationary Seal Range



- **STATIONARY SEAL FACE TECHNOLOGY TO ACCOMMODATE ANGULAR SHAFT TO HOUSING MISALIGNMENT**
- **BI-DIRECTIONAL FLOW INDUCTION FOR EFFECTIVE BARRIER HEAT REMOVAL (DUAL SEAL ONLY)**
- **PATENTED ANTI-SHATTERING SEAL FACE TECHNOLOGY DRIVE MECHANISMS**
- **MODULAR DESIGN FOR ENHANCED CUSTOMER SERVICE**

AESSEAL® - "Providing Exceptional Customer Service"



AESSEAL plc Group Headquarters, Rotherham, UK.



AESSEAL® is one of the leading global specialists in the design and manufacture of mechanical seals and support systems.

AESSEAL® is one of the leading global specialists in the design and manufacture of mechanical seals, support systems and bearing seals. With operations in six continents, AESSEAL® is the world's 4th largest supplier of mechanical seals, achieving growth through exceptional customer service and innovative products that provide real customer benefits.

DISP™ and SISS™ – 21st Century Innovation

Floating Inboard Seal Face Drive Pins.

One Modular machined seal gland for both Single and Dual seal supply.

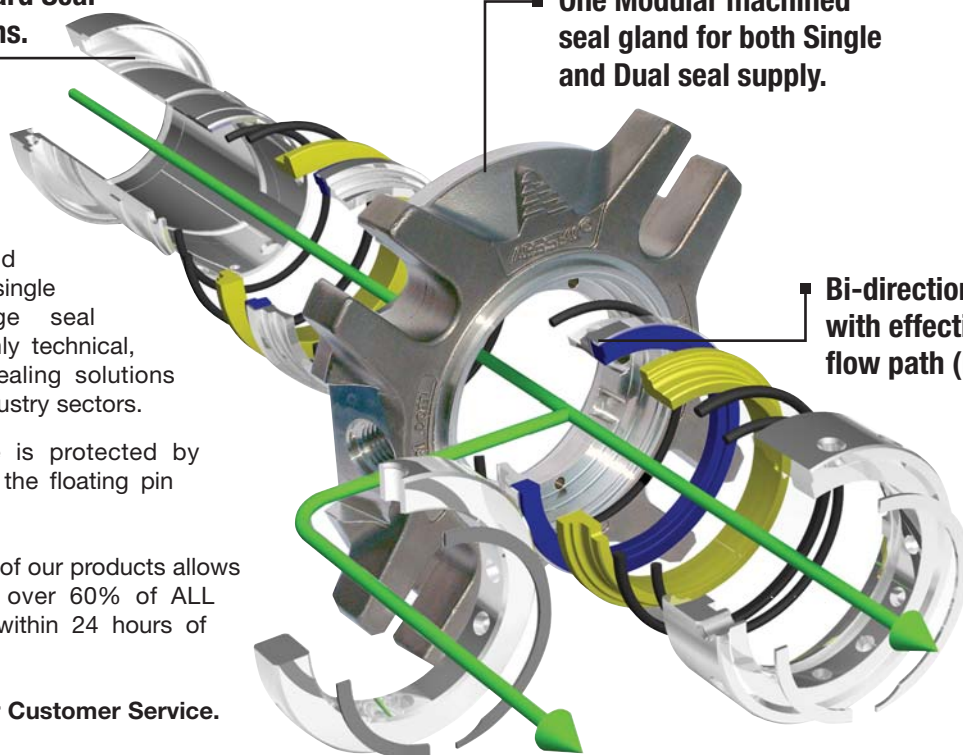
Bi-directional Flow Inducer with effective "heat removal" flow path (Dual seals only).

The DISP™ and SISS™ double and single stationary cartridge seal ranges provide highly technical, value-engineered sealing solutions applicable for all industry sectors.

The product range is protected by granted patents on the floating pin drive concept.

The modular design of our products allows AESSEAL® to ship over 60% of ALL standard products within 24 hours of receiving the order.

Modularity = Better Customer Service.



What does all this AESSEAL® innovation mean to ME?



24 Hour Service

Relative to sales, we believe that we hold the highest level of inventory in the industry and as a result we believe we can offer the best delivery performance to keep your plant running.



Flow Induction and defined barrier fluid movement

Ineffective heat removal within the barrier fluid is estimated to account for over 40% of all double cartridge seal failures. Hot seal faces = poor seal life.



Seal Face drive

Seal face drive slot cracking is estimated to account for over 30% of all monolithic seal face failures. Reduced seal face stress concentration = fewer seal face breakages.

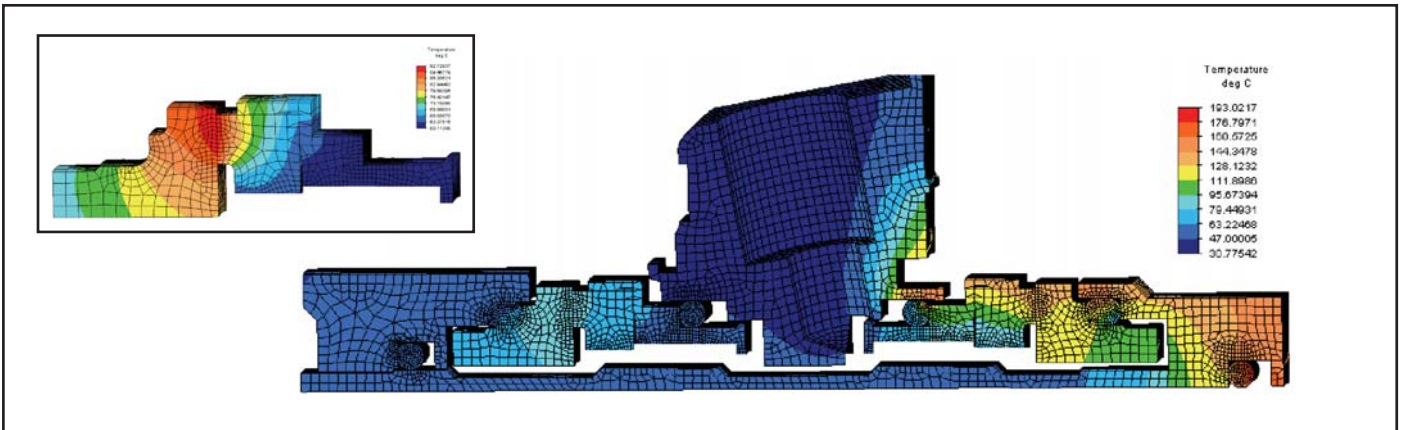
DISP™ & SISST™ – Innovation created using 21st Century Integrated Software



The DISP™ & SISST™ product ranges have been developed using the latest, fully integrated software packages, including;

- **3D Computer Aided Design and Manufacturing (CAD/CAM)**
- **3D Finite Element Analysis (FEA)**
- **3D Computational Fluid Dynamics (CFD) Software**

The result is a time-compressed product development period based on a “right-first-time” philosophy.



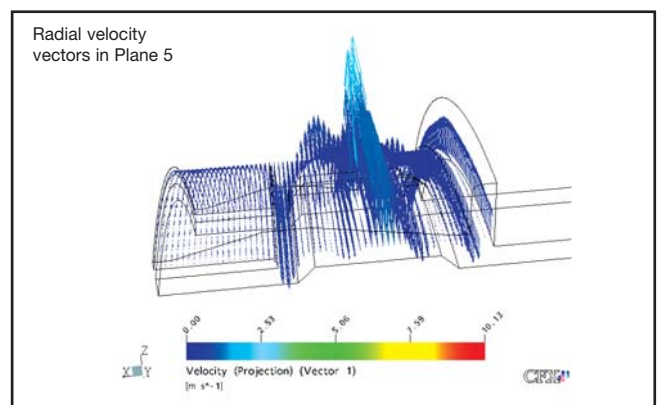
Integrated 3D Computer Aided Design (CAD) and Finite Element Analysis (FEA) software.

AESSEAL® employed Computational Fluid Dynamic (CFD) analysis to assess and optimize the seal face heat removal efficiency of the barrier fluid flow path within the DISP™ seal.

This analysis, backed by practical testing, facilitated the removal of standing vortexes within the barrier chamber. Such standing vortexes can lead to hot zones causing thermal cracking and premature seal failure.



API 682 Hot oil cell (240°C/464°F). - One of FIVE state of the art test bays at AESSEAL® headquarters.



3D CFD vector flow analysis.

What does all this AESSEAL® software technology mean to ME?

- **Cooler running seal faces**
- **Longer mechanical seal life**
- **Less un-planned maintenance**
- **Longer Rotating Equipment Mean-Time Between-Failures**
- **MORE PROCESSED PLANT PRODUCTION!**

DISP™ and DISP52™ - Design Features and Customer Benefits Analysis

Dual seal with inboard reverse hydraulic balanced seal faces.

The seal faces will remain closed in process upset conditions or in times of lost barrier fluid pressure.

The dual seal has a radially “thin” inboard seal face running track.

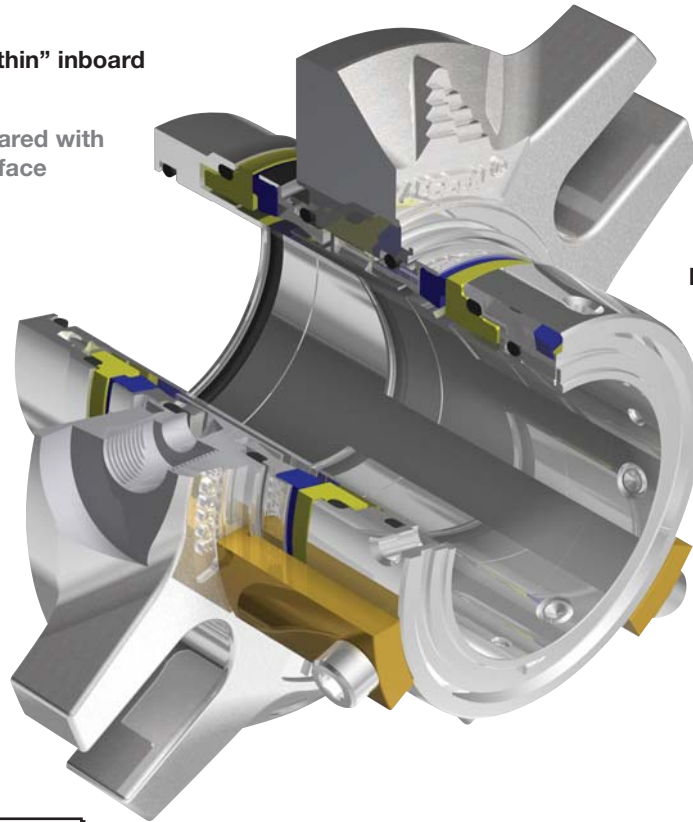
Lower heat generation compared with alternate dual balanced seal face designs.

Hydraulically pressure balanced seal faces.

Elimination of cantilever forces and thrust loads, which can lead to seal face distortion and leakage.

DISP52™

This is a plan 52, unpressurized barrier fluid design which is available to order.



True double mechanical seal with two sets of independent springs.

A “safe” double seal design. The inboard seal faces are not energized by the same springs that energize the outboard seal faces.

Dual seal with bi-directional pumping ring to circulate barrier fluid irrespective of shaft rotational direction.

Effective circulation of the barrier fluid to remove heat build-up within the seal.

One seal design may be employed for double-ended pumps with no risk of operator installation mix-up.

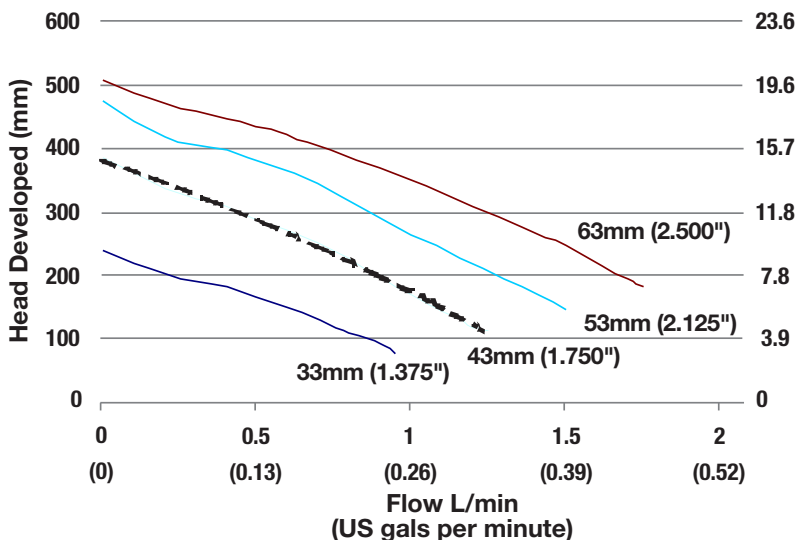
Effective barrier fluid flow path, irrespective of shaft rotation.

More reliable heat removal and improved conditions at the seal faces over convection principles.

■ Features	■ Benefits
------------	------------

DISP™ - Pumping Ring Performance

Average Approximation of DISP™ Head/Flow graphs (3,600 rpm in CW or CCW Direction) for various shaft sizes



Tests prove that there is an increase in seal performance using a seal with a bi-directional pumping ring.

The advanced design of the DISP™/SISS™ pumping ring provides increased barrier flow throughout the seal which removes internal heat.

This allows the seal to work in higher speed and higher temperature applications.

The test results shown to the right compare the temperature difference between the inlet and outlet barrier fluid pipes of a conventional style double seat versus a DISP™ design.

In summary the higher the temperature difference, the longer the retention of hot fluid in the barrier cavity.

COOL FLUID IN THE BARRIER CAVITY = INCREASED SEAL LIFE

SISS™ and SISR™ - Design Features and Customer Benefits Analysis

Modular Single and Dual seal gland, supplied with Quench, Flush and Drain ports as standard.

Increased customer service levels from a finite level of inventory.

Repair Centre benefits from minimum customer inventory holding. Optimise and control the application's environment.

Modular Stationary and Rotary Seal faces

Increased manufacturing economies of scale, lower cost prices leading to a better value for money product.

Centroidally loaded, shrink fitted stationaries.

Improved performance in temperature applications with excellent metal to metal drive integrity.

Seal faces are driven by a combination of patented floating seal face drive technology and solid, integral machined drive lugs.

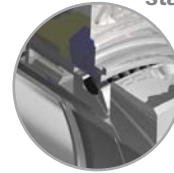
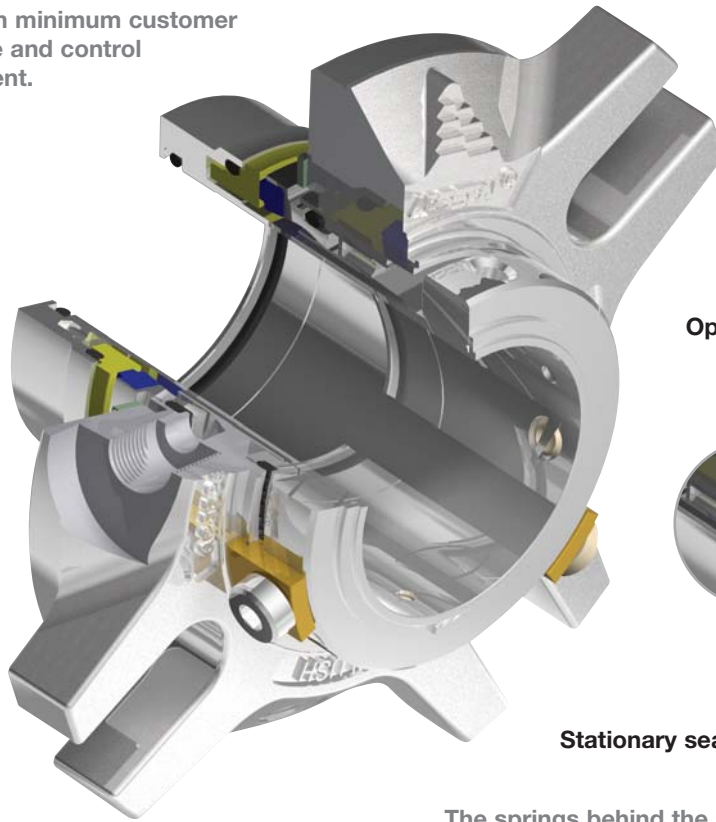
Robust, premium seal face drive integrity.

Less seal face breakage.

Longer seal face running life.

Optional, modular restriction-bush for the single seal (SISR™)

The SISR™ offers the Plan 62 standard option thereby controlling the seal environment and maximizing single seal life.



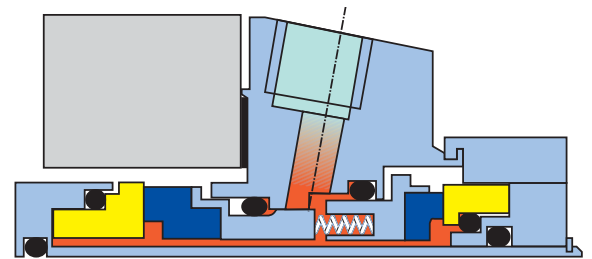
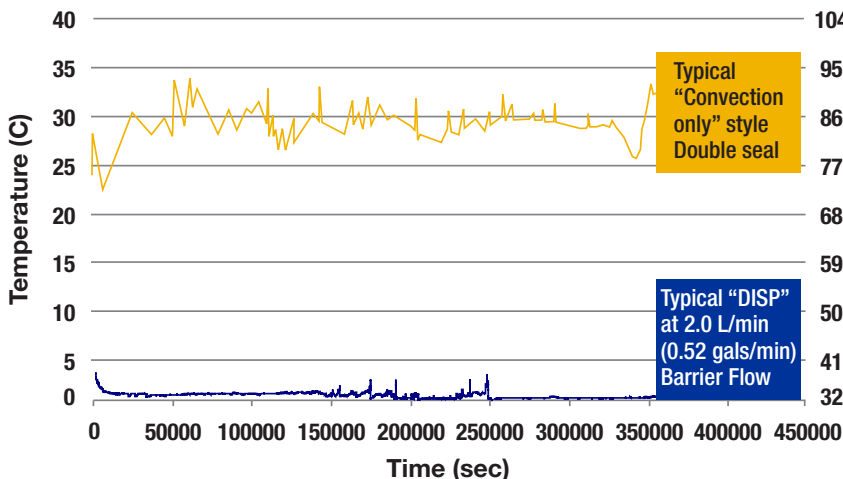
Stationary seal design with springs, which do not rotate with the shaft.

The springs behind the stationary seal face(s) provide a self-aligning feature, which allows the seal to accept some angular shaft to housing misalignment. Excellent design for high shaft speed applications and the elimination of the major causes of spring fatigue.

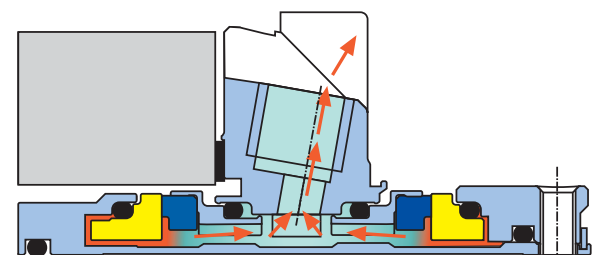
DISP™ - Why is Effective Pumping Important?

Successful mechanical seal operation is all about controlling the environment at the seal faces. High seal face temperature means fluid film vapourisation, thermal distortion and accelerated seal face deterioration.

Differences Between Barrier Fluid Outlet and Inlet Pipe Temperatures

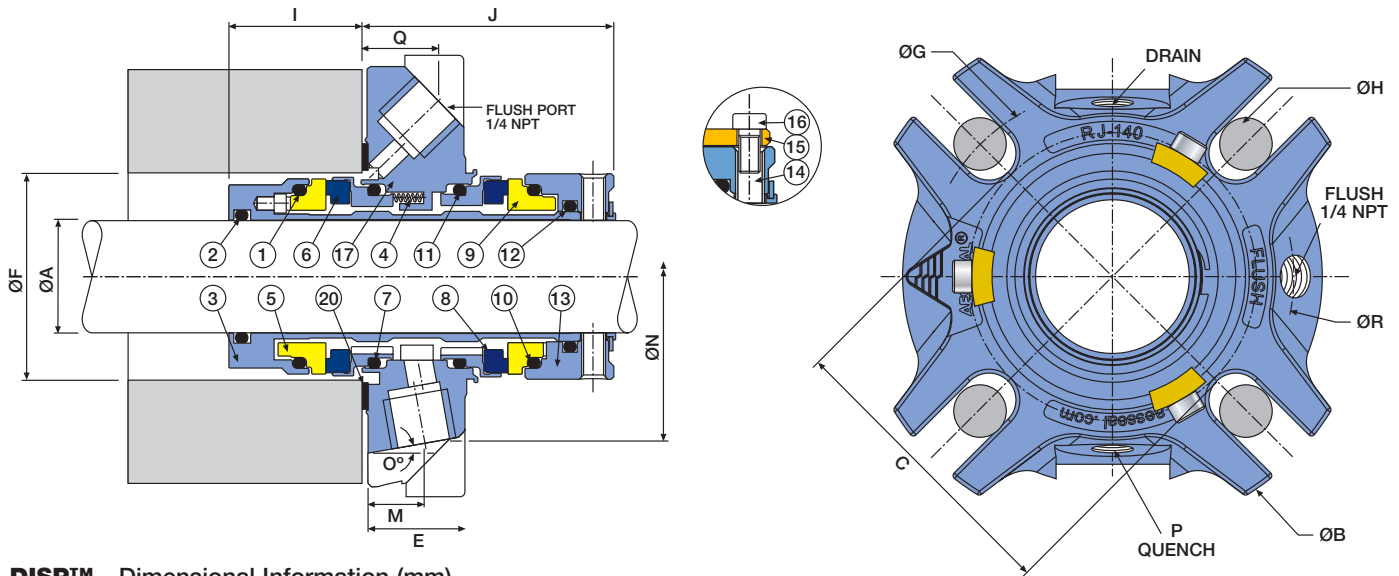


Typical "convection only" double seal without pumping ring.



Typical DISP™ mechanical seal with 2.0L/min (0.52 gals/min) barrier flow.

DISP™ - Dimensional Information



DISP™ - Dimensional Information (mm)

A	B	C	D	E	ØF Min	F Max	ØG Min	ØG Max	ØH Max	I	J	M	N	O	P	Q	R
24	104.8	57.2	-	23.8	41.0	48.6	71.2	92.8	12	28.2	52.6	15.0	71.4	10	1/4NPT	17.9	79.1
25	104.8	57.2	-	23.8	41.0	48.6	71.2	92.8	12	28.2	52.6	15.0	71.4	10	1/4NPT	17.9	79.1
28	108.0	60.4	-	23.8	44.0	52.6	74.3	96.0	12	28.2	52.6	14.1	76.2	10	1/4NPT	17.0	82.6
30	111.1	63.5	-	23.8	46.0	54.7	77.5	99.0	12	28.2	52.6	13.0	78.0	10	1/4NPT	17.8	84.1
32	111.1	63.5	-	23.8	48.0	54.7	77.5	99.0	12	28.2	52.6	13.0	78.5	10	1/4NPT	17.8	84.1
33	111.1	63.5	-	23.8	49.0	54.7	77.5	99.0	12	28.2	52.6	13.0	78.5	10	1/4NPT	17.8	84.1
33K	98.5	63.5	-	21.7	49.0	54.7	77.5	86.5	12	27.5	53.3	13.7	82.6	15	1/4NPT	13.7	90.7
35	111.1	66.7	-	23.8	51.0	58.6	80.7	99.0	12	28.2	52.6	13.0	78.5	10	1/4NPT	17.6	83.8
38	127.0	72.0	-	21.7	58.0	63.6	85.9	115.0	12	28.0	53.3	12.7	85.7	10	1/4NPT	16.2	92.1
40	127.0	72.0	-	21.7	60.0	64.7	85.9	115.0	12	28.0	53.3	12.7	85.7	10	1/4NPT	16.2	92.1
43	133.4	76.8	-	21.7	63.0	68.6	90.8	121.3	12	28.0	53.3	13.0	89.7	10	1/4NPT	16.1	94.9
43K	119.7	81.0	-	17.1	63.0	71.7	95.0	107.6	12	28.0	53.3	22.9	93.5	10	1/4NPT	18.9	101.6
45	133.4	76.8	-	21.7	65.0	70.2	90.8	121.4	12	28.0	53.3	12.7	88.9	10	1/4NPT	16.1	95.3
48	133.4	76.8	-	21.7	67.0	70.2	90.8	121.4	12	28.0	53.3	12.7	88.9	10	1/4NPT	16.2	95.3
50	139.7	86.0	-	21.7	70.0	77.7	100.0	127.7	12	28.0	53.3	12.7	95.3	10	1/4NPT	16.2	101.6
53	146.1	93.6	-	21.7	73.0	84.7	111.1	130.0	16	28.0	53.3	13.4	101.3	10	1/4NPT	16.2	108.0
55	146.1	93.6	-	21.7	75.0	84.7	111.1	130.0	16	28.0	53.3	13.4	101.3	10	1/4NPT	16.2	108.0
58	146.1	93.6	-	21.7	78.0	84.7	111.1	130.0	16	28.0	53.3	13.4	101.3	10	1/4NPT	16.2	108.0
60	152.4	100.0	-	21.7	80.0	89.6	117.5	136.4	16	28.0	53.3	13.7	104.4	10	1/4NPT	16.2	114.3
63	177.8	109.5	-	23.9	82.6	98.6	127.0	161.8	16	27.5	53.9	13.5	121.2	10	3/8NPT	18.8	126.8
65	177.8	109.5	-	23.9	85.7	98.7	127.0	161.8	16	27.5	53.9	13.5	121.2	10	3/8NPT	18.8	126.8
70	177.8	109.5	-	23.9	90.0	99.7	127.0	161.8	16	27.5	53.9	13.5	121.2	10	3/8NPT	18.8	126.8
75	190.5	125.4	-	23.9	98.4	113.5	142.9	174.5	16	33.0	60.2	13.8	130.6	10	3/8NPT	18.5	137.2
80	190.5	125.4	-	23.9	101.6	113.5	142.9	174.5	16	33.0	60.2	13.8	130.6	10	3/8NPT	18.0	138.1
85	203.2	135.0	-	23.9	108.0	121.5	156.0	185.0	20	33.0	60.2	13.4	140.2	10	3/8NPT	18.9	146.0

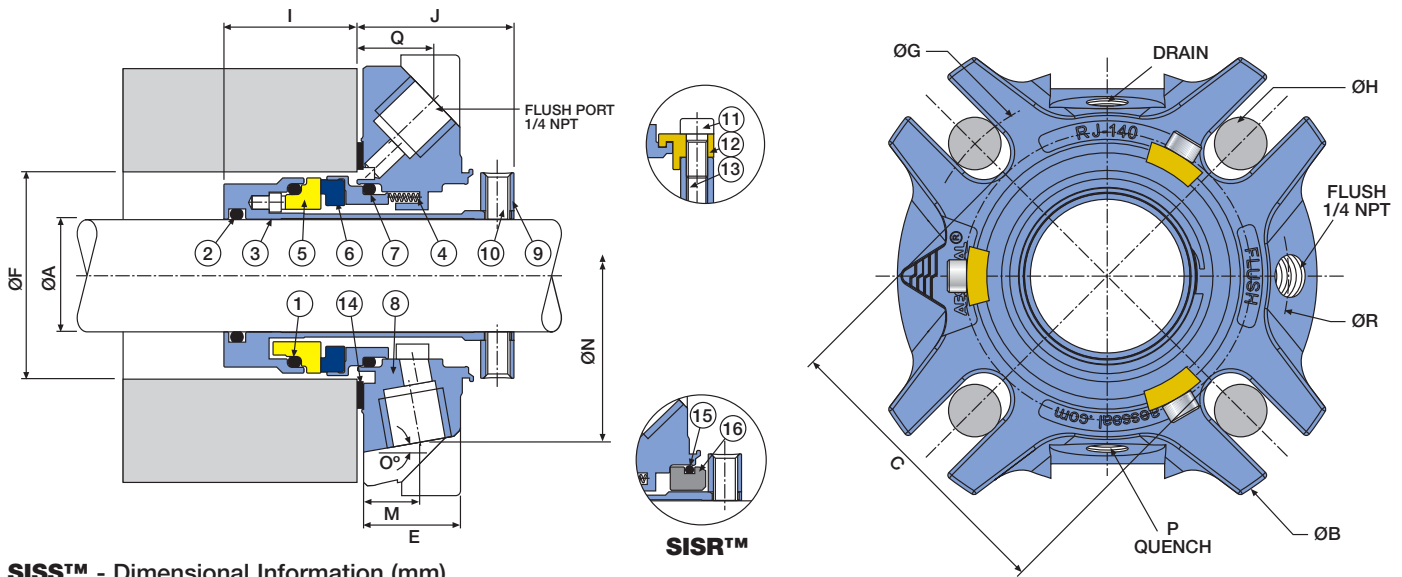
Note: - The 33K & 43K gland designs are specifically designed to suit the KSB CPK pump with Quench & Drain connections at different angular positions.

DISP™ - Dimensional Information (inches)

A	B	C	D	E	ØF Min	F Max	ØG Min	ØG Max	ØH Max	I	J	M	N	O	P	Q	R
1.000	4.125	2.250	-	0.937	1.625	1.937	2.812	3.625	0.500	1.110	2.070	0.590	2.812	10	1/4NPT	0.705	3.115
1.125	4.250	2.375	-	0.937	1.750	2.093	2.937	3.750	0.500	1.110	2.070	0.550	3.000	10	1/4NPT	0.670	3.250
1.250	4.375	2.500	-	0.937	1.875	2.154	3.062	3.875	0.500	1.110	2.070	0.511	3.090	10	1/4NPT	0.700	3.312
1.375	4.375	2.625	-	0.937	2.000	2.308	3.187	3.875	0.500	1.110	2.070	0.511	3.090	10	1/4NPT	0.693	3.300
1.500	5.000	2.832	-	0.854	2.250	2.500	3.375	4.500	0.500	1.103	2.099	0.500	3.375	10	1/4NPT	0.638	3.625
1.625	2.250	3.022	-	0.854	2.500	2.700	3.562	4.750	0.500	1.103	2.099	0.500	3.532	10	1/4NPT	0.634	3.737
1.750	5.250	3.022	-	0.854	2.500	2.750	3.562	4.750	0.500	1.103	2.099	0.500	3.500	10	1/4NPT	0.634	3.750
1.875	5.250	3.022	-	0.854	2.625	2.750	3.562	4.750	0.500	1.103	2.099	0.500	3.500	10	1/4NPT	0.638	3.750
2.000	5.000	3.386	-	0.854	2.750	3.062	3.937	5.000	0.500	1.103	2.099	0.500	3.750	10	1/4NPT	0.638	4.000
2.125	5.750	3.687	-	0.854	2.875	3.375	4.375	5.125	0.625	1.103	2.099	0.528	3.989	10	1/4NPT	0.638	4.250
2.250	5.750	3.687	-	0.854	3.000	3.375	4.375	5.125	0.625	1.103	2.099	0.528	3.989	10	1/4NPT	0.638	4.250
2.375	6.000	3.937	-	0.854	3.125	3.500	4.625	5.375	0.625	1.103	2.099	0.540	4.111	10	1/4NPT	0.638	4.500
2.500	7.000	4.312	-	0.942	3.250	3.875	5.000	6.375	0.625	1.083	2.125	0.532	4.772	10	3/8NPT	0.741	4.993
2.625	7.000	4.312	-	0.942	3.375	3.875	5.000	6.375	0.625	1.083	2.125	0.532	4.772	10	3/8NPT	0.741	4.993
2.750	7.000	4.312	-	0.942	3.625	3.937	5.000	6.375	0.625	1.083	2.125	0.532	4.772	10	3/8NPT	0.741	4.993
2.875	7.500	4.937	-	0.942	3.750	4.437	5.625	6.625	0.625	1.300	2.375	0.545	5.140	10	3/8NPT	0.741	5.375
3.000	7.500	4.937	-	0.942	3.875	4.500	5.625	6.875	0.625	1.300	2.375	0.545	5.142	10	3/8NPT	0.728	5.402
3.125	7.500	4.937	-	0.942	4.000	4.500	5.625	6.875	0.625	1.300	2.375	0.545	5.142	10	3/8NPT	0.709	5.438
3.250	8.000	5.312	-	0.942	4.125	4.750	6.125	7.250	0.750	1.300	2.375	0.528	5.520	10	3/8NPT	0.744	5.750
3.375	8.000	5.312	-	0.942	4.250	4.750	6.125	7.250	0.750	1.300	2.375	0.528	5.520	10	3/8NPT	0.744	5.750

Item	Description	Material	Item	Description	Material
1	Rotary O Ring	Viton® / EPR / Kalrez® / Aflas®	11	Outer Stationary O Ring	Viton® / EPR / Kalrez® / Aflas®
2	Sleeve O Ring	Viton® / EPR / Kalrez® / Aflas®	12	Clamp Ring O Ring	Viton® / EPR / Kalrez® / Aflas®
3	Sleeve	316L Stainless Steel	13	Clamp Ring	316L Stainless Steel
4	Springs	Alloy 276	14	Anti-Tamper Screw	316 Stainless Steel
5	Inner Rotary Face	SiC	15	Setting Clips	Brass
6	Inner Stationary Face	316L SS - Carbon / SiC	16	Clip Screws	316 Stainless Steel
7	Stationary O Ring	Viton® / EPR / Kalrez® / Aflas®	17	Gland	316 Stainless Steel
8	Outer Stationary Face	316L SS - Carbon / SiC	18	Drive Screws	316 Stainless Steel
9	Outer Rotary Face	SiC	19	Springs (not shown)	Alloy 276
10	Outer Rotary O Ring	Viton® / EPR / Kalrez® / Aflas®	20	Gasket	AF1 / GFT

SISS™ and SISR™ - Dimensional Information



SISS™ - Dimensional Information (mm)

A	B	C	D	E	ØF Min	F Max	ØG Min	ØG Max	ØH Max	I	J	M	N	O	P	Q	R
24	104.8	57.2	-	23.8	41.0	48.6	71.2	92.8	12	28.2	38.3	15.0	71.4	10	1/4NPT	17.9	79.1
25	104.8	57.2	-	23.8	41.0	48.6	71.2	92.8	12	28.2	38.3	15.0	71.4	10	1/4NPT	17.9	79.1
28	108.0	60.4	-	23.8	44.0	52.6	74.3	96.0	12	28.2	38.3	14.1	76.2	10	1/4NPT	17.0	82.6
30	111.1	63.5	-	23.8	46.0	54.7	77.5	99.0	12	28.2	38.3	13.0	78.0	10	1/4NPT	17.8	84.1
32	111.1	63.5	-	23.8	48.0	54.7	77.5	99.0	12	28.2	38.3	13.0	78.5	10	1/4NPT	17.8	84.1
33	111.1	63.5	-	23.8	49.0	54.7	77.5	99.0	12	28.2	38.3	13.0	78.5	10	1/4NPT	17.8	84.1
33K	98.5	63.5	-	21.7	49.0	54.7	77.5	86.5	12	27.7	36.8	13.7	82.5	15	1/4NPT	13.7	90.7
35	111.1	66.7	-	23.8	51.0	58.6	80.7	99.0	12	28.2	38.3	13.0	78.5	10	1/4NPT	17.6	83.8
38	127.0	72.0	-	21.7	58.0	63.6	85.9	115.0	12	28.0	36.8	12.7	85.7	10	1/4NPT	16.2	92.1
40	127.0	72.0	-	21.7	60.0	64.7	85.9	115.0	12	28.0	36.8	12.7	85.7	10	1/4NPT	16.2	92.1
43	133.4	76.8	-	21.7	63.0	68.6	90.8	121.3	12	28.0	36.8	13.0	89.7	10	1/4NPT	16.1	94.9
43K	119.7	81.0	-	17.1	63.0	71.7	95.0	107.6	12	28.0	43.8	22.9	93.5	45	1/4NPT	18.9	101.6
45	133.4	76.8	-	21.7	65.0	70.2	90.8	121.4	12	28.0	36.8	12.7	88.9	10	1/4NPT	16.1	95.3
48	133.4	76.8	-	21.7	67.0	70.2	90.8	121.4	12	28.0	36.8	12.7	88.9	10	1/4NPT	16.2	95.3
50	139.7	86.0	-	21.7	70.0	77.7	100.0	127.7	12	28.0	36.8	12.7	95.3	10	1/4NPT	16.2	101.6
53	146.1	93.6	-	21.7	73.0	84.7	111.1	130.0	16	28.0	36.8	13.4	101.3	10	1/4NPT	16.2	108.0
55	146.1	93.6	-	21.7	75.0	84.7	111.1	130.0	16	28.0	36.8	13.4	101.3	10	1/4NPT	16.2	108.0
58	146.1	93.6	-	21.7	78.0	84.7	111.1	130.0	16	28.0	36.8	13.4	101.3	10	1/4NPT	16.2	108.0
60	152.4	100.0	-	21.7	80.0	89.6	117.5	136.4	16	28.0	36.8	13.7	104.4	10	1/4NPT	16.2	114.3
63	177.8	109.5	-	23.9	82.6	98.6	127.0	161.8	16	27.4	39.5	13.5	121.2	10	3/8NPT	18.8	126.8
65	177.8	109.5	-	23.9	85.7	98.7	127.0	161.8	16	27.4	39.5	13.5	121.2	10	3/8NPT	18.8	126.8
70	177.8	109.5	-	23.9	90.0	99.7	127.0	161.8	16	27.4	39.5	13.5	121.2	10	3/8NPT	18.8	126.8
75	190.5	125.4	-	23.9	98.4	113.5	142.9	174.5	16	33.0	39.7	13.8	130.6	10	3/8NPT	18.5	137.2
80	190.5	125.4	-	23.9	101.6	113.5	142.9	174.5	16	33.0	39.7	13.8	130.6	10	3/8NPT	18.0	138.1
85	203.2	135.0	-	23.9	108.0	121.5	156.0	185.0	20	33.0	39.7	13.4	140.2	10	3/8NPT	18.9	146.0

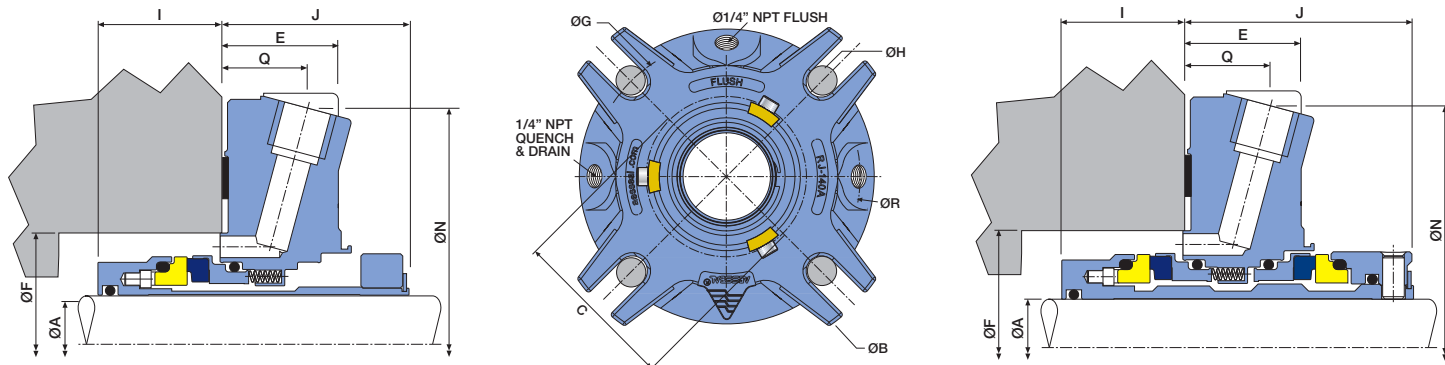
Note:- The 33K & 43K gland designs are specifically designed to suit the KSB CPK pump with Quench & Drain connections at different angular positions.

SISS™ - Dimensional Information (inches)

A	B	C	D	E	ØF Min	F Max	ØG Min	ØG Max	ØH Max	I	J	M	N	O	P	Q	R
1.000	4.125	2.25	-	0.937	1.625	1.937	2.812	3.625	0.500	1.110	1.508	0.590	2.812	10	1/4NPT	0.705	3.115
1.125	4.250	2.375	-	0.937	1.750	2.093	2.937	3.750	0.500	1.110	1.508	0.555	3.000	10	1/4NPT	0.705	3.250
1.250	4.375	2.500	-	0.937	1.875	2.154	3.062	3.875	0.500	1.110	1.508	0.511	3.091	10	1/4NPT	0.700	3.312
1.375	4.375	2.625	-	0.937	2.000	2.308	3.062	3.875	0.500	1.110	1.508	0.511	3.091	10	1/4NPT	0.693	3.300
1.500	5.000	2.832	-	0.854	2.250	2.500	3.375	4.500	0.500	1.103	1.449	0.500	3.375	10	1/4NPT	0.638	3.625
1.625	5.250	3.022	-	0.854	2.375	2.700	3.573	4.750	0.500	1.103	1.449	0.500	3.532	10	1/4NPT	0.638	3.737
1.750	5.250	3.022	-	0.854	2.500	2.750	3.573	4.750	0.500	1.103	1.449	0.500	3.500	10	1/4NPT	0.634	3.750
1.875	5.250	3.022	-	0.854	2.625	2.750	3.573	4.750	0.500	1.103	1.449	0.500	3.500	10	1/4NPT	0.638	3.750
2.000	5.500	3.386	-	0.854	2.750	3.062	3.937	5.000	0.500	1.103	1.449	0.500	3.750	10	1/4NPT	0.638	4.000
2.125	5.750	3.687	-	0.854	2.875	3.375	4.375	5.125	0.625	1.103	1.449	0.528	3.989	10	1/4NPT	0.638	4.250
2.250	5.750	3.687	-	0.854	3.000	3.375	4.375	5.125	0.625	1.103	1.449	0.528	3.989	10	1/4NPT	0.638	4.250
2.375	6.000	3.937	-	0.854	3.125	3.500	4.625	5.375	0.625	1.103	1.449	0.540	4.111	10	1/4NPT	0.638	4.500
2.500	7.000	4.312	-	0.942	3.250	3.875	5.000	6.375	0.625	1.083	1.556	0.532	4.772	10	3/8NPT	0.741	4.993
2.625	7.000	4.312	-	0.942	3.375	3.875	5.000	6.375	0.625	1.083	1.556	0.532	4.772	10	3/8NPT	0.741	4.993
2.750	7.000	4.312	-	0.942	3.625	3.937	5.000	6.375	0.625	1.083	1.556	0.532	4.772	10	3/8NPT	0.741	4.993
2.875	7.500	4.937	-	0.942	3.750	4.437	5.625	6.875	0.625	1.300	1.556	0.545	5.140	10	3/8NPT	0.742	5.375
3.000	7.500	4.937	-	0.942	3.875	4.500	5.625	6.875	0.625	1.300	1.563	0.545	5.142	10	3/8NPT	0.728	5.402
3.125	7.500	4.937	-	0.942	4.000	4.500	5.625	6.875	0.625	1.300	1.563	0.545	5.142	10	3/8NPT	0.709	5.438
3.250	8.000	5.312	-	0.942	4.125	4.750	6.125	7.250	0.750	1.300	1.562	0.528	5.520	10	3/8NPT	0.734	5.750
3.375	8.000	5.312	-	0.942	4.250	4.750	6.125	7.250	0.750	1.300	1.563	0.528	5.520	10	3/8NPT	0.744	5.750

Item	Description	Material	Item	Description	Material
1	Rotary O Ring	Viton® / EPR / Kalrez® / Aflas®	9	Clamp Ring	316L Stainless Steel
2	Sleeve O Ring	Viton® / EPR / Kalrez® / Aflas®	10	Drive Screws	Stainless Steel
3	Sleeve	316L Stainless Steel	11	Clip Screws	Stainless Steel
4	Springs	Alloy 276	12	Setting Clips	Brass
5	Rotary Face	Sic	13	Anti-tamper Screws	Stainless Steel
6	Stationary Face	316L SS - Carbon / SiC	14	Gasket	AF1 / GFT
7	Stationary O Ring	Viton® / EPR / Kalrez® / Aflas®	15	R' Bush O Ring	Viton® / EPR / Kalrez® / Aflas®
8	Gland	316 Stainless Steel	16	Restriction Bushing	Carbon

ANSI+ SISS™ and ANSI+ DISP™



SISS™ ANSI+ - Dimensional Information (mm)

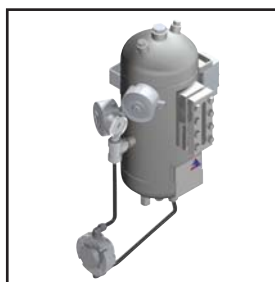
A	B	C	E	ØF Min	F Max	ØG Min	ØG Max	ØH Max	I	J	N	Q
1.125	4.975	2.060	0.890	2.625	2.85	3.750	4.450	0.500	1.187	1.437	3.892	0.625
1.375	5.328	2.303	0.890	2.875	3.100	4.000	4.812	0.500	1.187	1.437	4.190	0.640
1.750	6.750	3.035	1.053	3.500	4.100	5.000	6.250	0.500	1.125	1.687	5.276	0.774
1.875	6.750	3.035	1.053	3.625	4.100	5.000	6.250	0.500	1.125	1.687	5.276	0.774
2.125	7.600	3.285	0.920	3.875	4.225	5.375	6.937	0.625	1.210	1.580	6.134	0.666
2.500	8.266	3.910	1.157	4.500	5.100	6.125	7.312	0.625	1.070	1.770	6.614	0.758
2.625	8.266	3.910	1.157	4.625	5.100	6.125	7.312	0.625	1.070	1.770	6.614	0.758

DISP™ ANSI+ - Dimensional Information (mm)

A	B	C	E	ØF Min	F Max	ØG Min	ØG Max	ØH Max	I	J	N	Q
1.125	4.975	2.060	0.890	2.625	2.85	3.750	4.450	0.500	1.187	2.000	3.890	0.625
1.375	5.328	2.303	0.890	2.875	3.100	4.000	4.812	0.500	1.187	2.000	4.190	0.640
1.750	6.750	3.035	1.053	3.500	4.100	5.000	6.250	0.500	1.125	2.076	5.276	0.774
1.875	6.750	3.035	1.053	3.625	4.100	5.000	6.250	0.500	1.125	2.076	5.276	0.774
2.125	7.600	3.285	0.920	3.395	4.225	5.375	6.937	0.625	1.210	2.000	6.134	0.666
2.500	8.266	3.910	1.157	4.500	5.100	6.125	7.312	0.625	1.070	2.150	6.614	0.758
2.625	8.266	3.910	1.157	4.625	5.100	6.125	7.312	0.625	1.070	2.150	6.614	0.758

Environmental Control Systems & Bearing Protectors

In addition to a vast range of mechanical seals, AESSEAL® has a specialized systems division, dedicated to the design and manufacture of a comprehensive range of seal support packages for double mechanical seals. The support systems range includes the FLOWTRUE™ flow meter, the SW2™ thermosyphon system, high pressure AES-15™ vessels, API vessels and API plan 54 forced circulation PUMPPAC™ systems.



AES-15™ Range



FLOWTRUE™



MagTecta™ Bearing Protector

The systems above are compatible with a wide selection of barrier and buffer fluid media. They are supplied pre-assembled with all necessary components and fittings. On site inventory costs are reduced by modular system construction.

THIS DOCUMENT IS DESIGNED TO PROVIDE DIMENSIONAL INFORMATION AND AN INDICATION OF AVAILABILITY. FOR FURTHER INFORMATION AND SAFE OPERATING LIMITS CONTACT OUR TECHNICAL SPECIALISTS AT THE LOCATIONS BELOW.



USE DOUBLE MECHANICAL SEALS WITH HAZARDOUS PRODUCTS. ALWAYS TAKE SAFETY PRECAUTIONS:

- GUARD YOUR EQUIPMENT
- WEAR PROTECTIVE CLOTHING



UK Sales & Technical advice:

AESSEAL plc
Mill Close
Templeborough
Rotherham
S60 1BZ
United Kingdom

Telephone: +44 (0) 1709 369966
Fax: +44 (0) 1709 720788
E-mail: seals@aes seal.com
Internet: http://www.aes seal.com

Distributed by:

AESSEAL® Vision *'To give customers such exceptional service that they need never consider alternative sources of supply.'*

USA Sales & Technical advice:

AESSEAL Inc.
10231 Cogdill Road
Suite 105
Knoxville, TN 37932
USA

Telephone: +1 865 531 0192
Fax: +1 865 531 0571
E-mail: usa@aes seal.com

ALL SIZES ARE SUBJECT TO MANUFACTURING TOLERANCES. WE RESERVE THE RIGHT TO MODIFY SPECIFICATIONS AT ANY TIME.