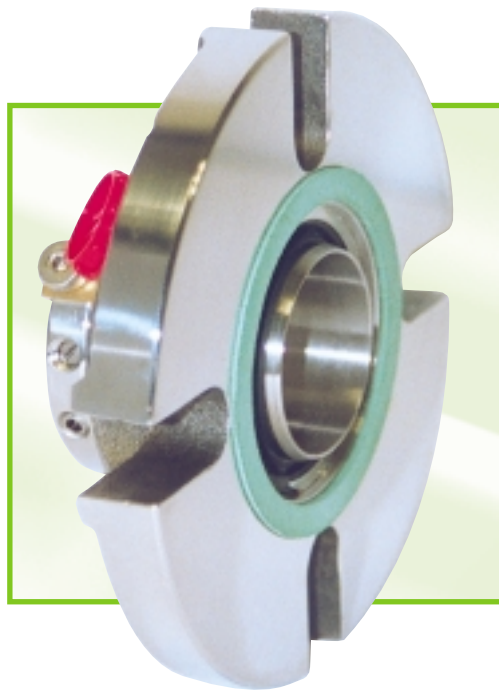




CLIP™ Cartridge Lip Seal



- DRY RUNNING CARTRIDGE SEAL
- SUPPLIED WITH QUENCH AND DRAIN ENVIRONMENTAL PORTS
- EXTERNALLY MOUNTED

CLIP™ - Cartridge Lip Seal design

The AESSEAL® CLIP™ seal is specifically designed for dry running applications where barrier fluid is not permitted to enter the process media.

This makes the design ideally suited for slow rotating equipment in the food and pharmaceutical industries. Typical applications include the Viking Universal, 124-125 and 4124-4125 pump ranges.

The seal design uses the latest monolithic Graphite impregnated PTFE lip seal technology. This reduces lip seal wear and debris, thereby helping to increase seal life.

Other design features include:

- Hard plated cartridge sleeve extends lip seal life.
- Factory assembled and tested.
- Replaceable cartridge sleeve eliminates shaft wear.
- Ease of lip seal repair. The monolithic lip seal unit eliminates separate lip seal rings and spacers.

Dry Running Performance:

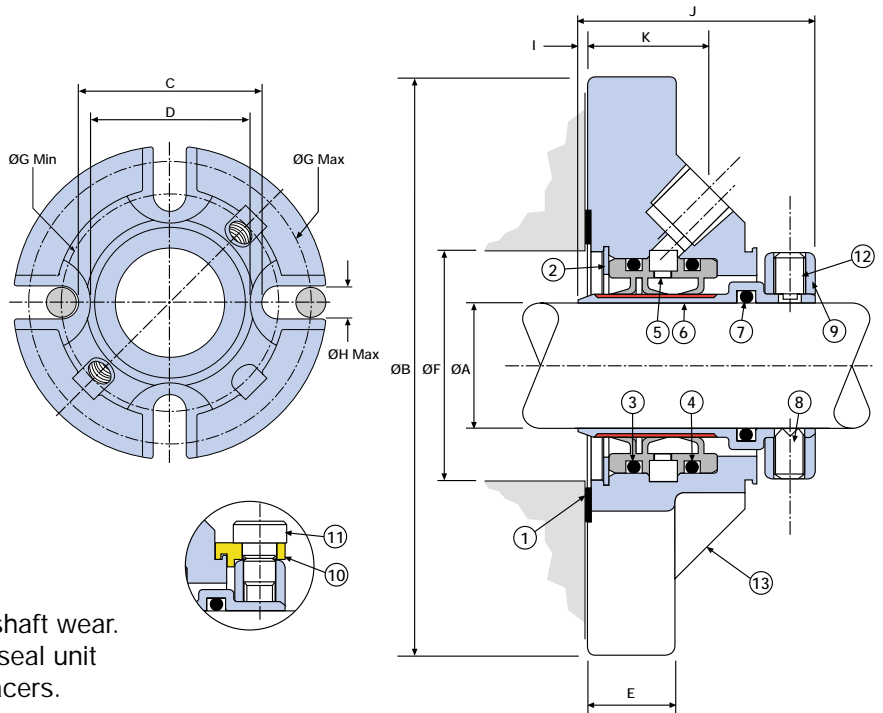
The seal design is offered for shaft speeds up to 3.3m/s (650ft/min).

Lubricated Fluid Running Performance:

The seal design is offered for shaft speeds up to 9.6m/s (1900ft/min) under TRUE lubricated conditions.

Please consult AESSEAL®

Technical department for applications which exceed these shaft speeds.



Item	Description	Material
1	Gasket	AF1 / GFT
2	Circlip	Stainless Steel
3	O Ring	Viton® / EPR / Kalrez® / Aflas®
4	O Ring	Viton® / EPR / Kalrez® / Aflas®
5	Lipseal	Graphite PTFE
6	Sleeve	316L Stainless Steel - Cr.Ox.
7	O Ring	Viton® / EPR / Kalrez® / Aflas®
8	Drive Screws	Stainless Steel
9	Clamp Ring	316L Stainless Steel
10	Setting Clips	Brass
11	Clip Screws	Stainless Steel
12	Anti Tamper Screws	Stainless Steel
13	Gland	316 Stainless Steel

Seal Size	ØA	ØB	C	D	E	ØF Max	ØG Min	ØG Max	H	I	J	K
1.437	1.437	4.000	2.870	n/a	1.055	2.312	3.375	3.562	0.438	0.120	1.625	0.570
1.500	1.500	4.990	2.812	2.562	0.644	2.375	3.375	4.437	0.500	0.050	1.710	0.933
1.625	1.625	4.990	2.812	2.562	0.644	2.500	3.375	4.437	0.500	0.050	1.710	0.933
2.437	2.437	6.687	4.312	3.812	0.769	3.625	5.000	6.062	0.625	0.060	1.875	1.129
2.500	2.500	6.990	4.312	3.812	0.769	3.625	5.000	6.312	0.625	0.060	1.875	1.129

THIS DOCUMENT IS DESIGNED TO PROVIDE DIMENSIONAL INFORMATION AND AN INDICATION OF AVAILABILITY. FOR FURTHER INFORMATION AND SAFE OPERATING LIMITS CONTACT OUR TECHNICAL SPECIALISTS AT THE LOCATIONS BELOW.



INVESTOR IN PEOPLE

USE DOUBLE MECHANICAL SEALS WITH HAZARDOUS PRODUCTS. ALWAYS TAKE SAFETY PRECAUTIONS:

- GUARD YOUR EQUIPMENT
- WEAR PROTECTIVE CLOTHING



WARNING

AESSEAL plc
Mill Close
Templeborough
Rotherham
S60 1BZ
United Kingdom

Telephone:
Fax:
E-mail:
Internet:

WINNER OF THE
NATWEST
SUNDAY TIMES
COMPANY OF
TOMORROW
AWARD

+44 (0) 1709 369966
+44 (0) 1709 720788
seals@aesseal.com
http://www.aesseal.com

Distributed by:

USA Sales & Technical advice:
AESSEAL Inc.
10231 Cogdill Road
Suite 105
Knoxville, TN 37932
USA

Telephone: 865 531 0192
Fax: 865 531 0571