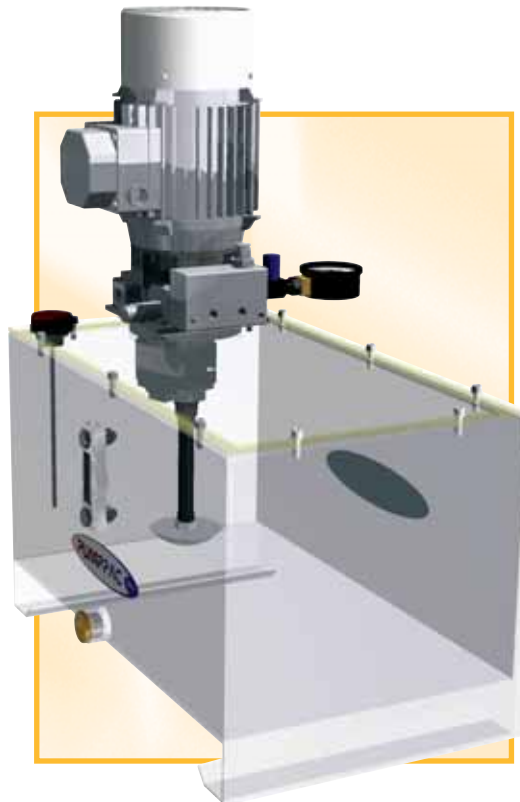




ENVIRONMENTAL TECHNOLOGY

PUMPPAC-SOU™



FEATURES

- USES THE SAME PROVEN TECHNOLOGY AND MODULAR DESIGN AS THE STANDARD AESSEAL® PUMPPAC™ RANGE
- SPECIFICALLY DESIGNED TO BE USED IN A RANGE OF NON-HIGH CORROSIVE ENVIRONMENTS
- FORCED CIRCULATION SYSTEM
- CAPABLE OF SUPPLYING SPLIT FLOWS AND A RANGE OF PRESSURES FOR TWO MECHANICAL SEALS

BENEFITS

- THE PUMPPAC-SOU™ CAN BE INSTALLED IN A VARIETY OF ZONED ENVIRONMENTS BY INTERCHANGING THE INSTRUMENTATION OPTIONS
- HIGH SPECIFICATION, LOW COST SOLUTION TO FORCED BARRIER FLUID CIRCULATION SYSTEMS
- MAXIMISES BARRIER FLUID HEAT DUMP POTENTIAL
- BARRIER FLUID COOLING OF UP TO TWO MECHANICAL SEALS CAN BE ACCURATELY CONTROLLED





The PUMPPAC-SOU™ (Special Oil Unit) utilizes the same technology as the standard AESSEAL® PUMPPAC™ range. The product is suitable for many industries and is designed in accordance with the specifications set in the API plan 54 piping plan. The PUMPPAC-SOU™ can be adapted to different pump environments by adding instrumentation to the standard offering. It is a high specification, low cost solution to forced barrier fluid circulation systems.

MOTOR

- Aluminium body
- Weather proof IP55
- 3 phase 0.55kW/ 0.73Hp-230/400V-50/60 Hz
- 4 pole-1450/1750 rpm

MANIFOLD

- Aluminium
- With integral nickel plated steel, adjustable relief valve
- 5-50bar/72-725psig

PUMP

- Aluminium
- With hardened steel gears
- 4.8 lit/min-1.5 US gals/min

SUCTION FILTER

- Carbon steel 90 micron

PUMPPAC-SOU™ Standard Offering

PRESSURE GAUGE

- Glycerine filled 0-60bar/0-870psig
- Polycarbonate anti-impact body, brass wetted parts

PRESSURE GAUGE ISOLATION VALVE

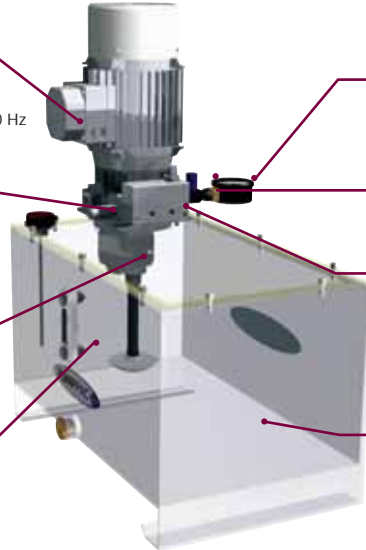
- Passivated carbon steel

SEAL PRESSURE CONTROL VALVE BLOCK

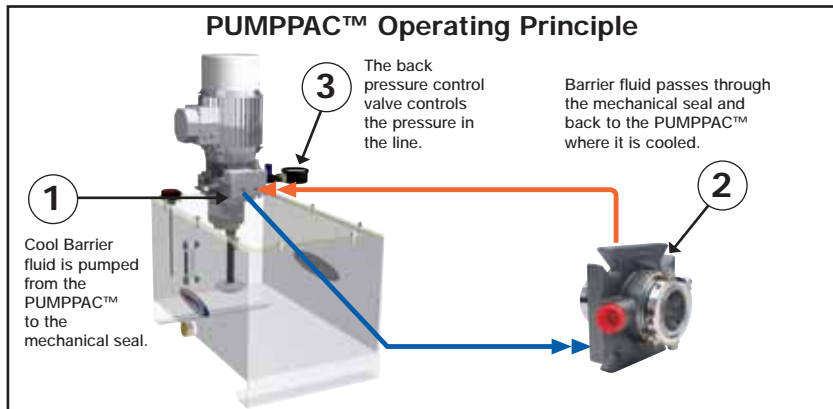
- Aluminium
- With integral nickel plated steel, adjustable back pressure control valve
- 5-50bar/72-725psig

TANK

- Carbon steel 45lit/12US gals
- Powder coated, both internally and externally



* If your barrier fluid pressure is to be below 5 bar/75psi please contact your local AESSEAL® representative or AESSEAL (MCK) directly.



- Optional Extras:**
- EEXD / Explosion proof motor
 - High Flow Oil Pump
 - Flow Divider Assembly: Feeds two seals or a double ended pump
 - Return Line Filter (10 Micron)
 - Internal Cooling Coil (Finned Cupro Nickel Tube)
 - Internal Heating Element: 110V, 1.8 KW
 - Aluminium Tank - 35 litres / 9.5 US Gallons
 - Stainless Steel Tank - 12 US Gallons
 - Pressure Gauge - 0-16 Bar / 0-232 psi

BARRIER & BUFFER FLUID SYSTEMS FOR USE WITH DOUBLE MECHANICAL SEALS

AESSEAL® supplies an extensive range of barrier and buffer fluid systems for use with double mechanical seals. Wherever possible AESSEAL® prefers to supply both the seal and the system. In addition the company will suggest suitable barrier or buffer fluids for most applications, based on extensive field experience.

AESSEAL® accepts no responsibility for any problems associated with system design, installation, operation, or the use of an unsuitable barrier or buffer fluid, where the fluid, seal or any part of the system have not been specified and/or supplied by AESSEAL®

THIS DOCUMENT IS DESIGNED TO PROVIDE DIMENSIONAL INFORMATION AND AN INDICATION OF AVAILABILITY. FOR FURTHER INFORMATION AND SAFE OPERATING LIMITS CONTACT OUR TECHNICAL SPECIALISTS AT THE LOCATIONS BELOW.



USE DOUBLE MECHANICAL SEALS WITH HAZARDOUS PRODUCTS. ALWAYS TAKE SAFETY PRECAUTIONS:

- GUARD YOUR EQUIPMENT
- WEAR PROTECTIVE CLOTHING



UK Sales & Technical advice:
 AESSEAL plc
 Mill Close
 Templeborough
 Rotherham
 S60 1BZ
 United Kingdom

Telephone: +44 (0) 1709 369966
 Fax: +44 (0) 1709 720788
 E-mail: seals@aesseal.com
 Internet: http://www.aesseal.com

Distributed by:

Our Purpose: *'To give our customers such exceptional service that they need never consider alternative sources of supply.'*

USA Sales & Technical advice:
 AESSEAL Inc.
 10231 Cogdill Road
 Suite 105
 Knoxville, TN 37932
 USA

Telephone: +1 865 531 0192
 Fax: +1 865 531 0571
 E-mail: usa@aesseal.com

Systems Sales & Technical advice:
 AESSEAL (MCK) Ltd.
 139A Hillsborough Old Road
 Lisburn
 N.Ireland
 BT27 5QE

Telephone: +44 (0) 28 9266 9966
 Fax: +44 (0) 28 9266 9977
 Tel/Fax Hotline: +44 (0) 28 9266 9988
 E-mail: MCK@aesseal.com