

BXH

The BXH seal provides high temperature sealing capabilities in single and tandem seal packages that easily install in a wide variety of API and ANSI pumps. It is designed to operate in non-corrosive, high temperature services with specific gravities of .45 and higher. The tandem seal design provides optimum leakage control and safety for high temperature services.

Features/Benefits

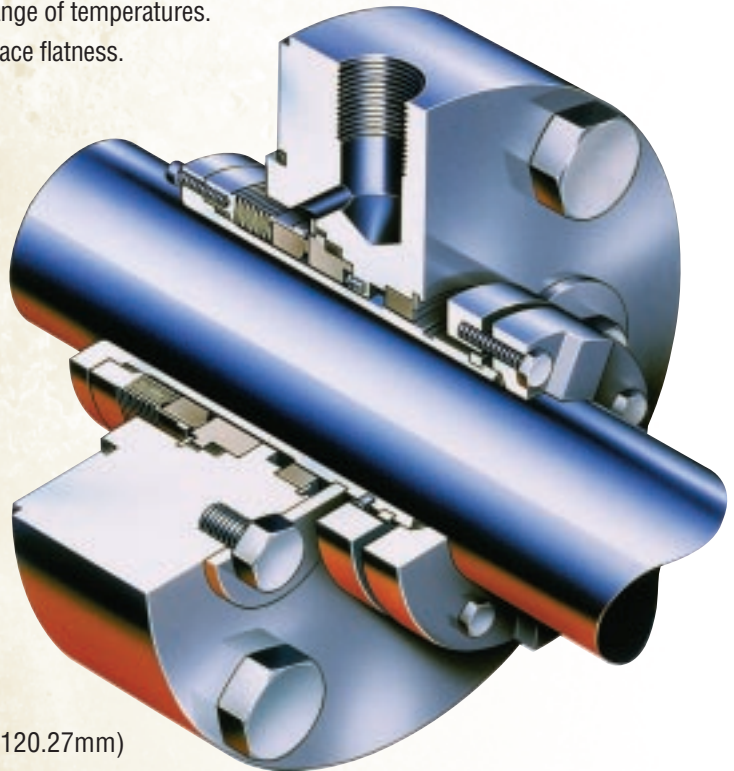
- Rotating bellows is 8 mils (0.20mm) (0875, 0937, 1000, 1125 and 1250 are 6 mils [0.15mm]) thick—provides maximum resistance to corrosion, shaft vibrations and centrifugal forces.
- Compact design—fits almost all pumps.
- No dynamic gaskets—provides longer life by eliminating fretting of shaft sleeve and seal face hang up.
- Unique bellows design—fully nesting ripple design with wide span assures low motion stress and lower spring rates even with .008 material thickness.
- No springs—eliminates clogging problems.
- Patented rotating face design—allows for wide cross-sectional face, normal bellows balance shift, while maintaining full face lubrication.
- Two-piece bellows adapter design—for ease of installation.
- Optional pumping ring on tandem design—provides positive buffer fluid circulation for secondary seal lubrication.
- All Graphite gaskets—for reliable sealing under a wide range of temperatures.
- Gasket-mounted stationary face—designed to maintain face flatness.

Materials of Construction

- Bellows: Alloy C-276
- Metal Parts: AISI 316 and low expansion alloy
- Rotating Face: Carbon, Silicon Carbide
- Stationary Face: Silicon Carbide
- Gasketing: Graphite

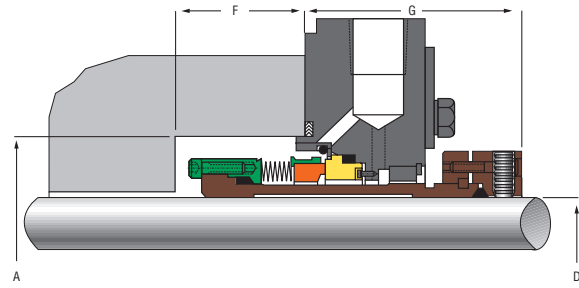
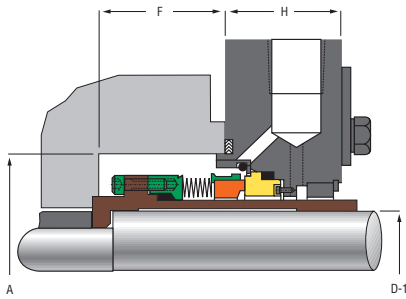
Operating Parameters

- Maximum Pressure: 300 psig (2070 kPa)
- Temperature: * -150°F to 600°F
(-100°C to 316°C) Single
-150°F to 750°F
(-100°C to 400°C) Tandem or Double
- Liquid: Non-corrosive with specific gravity above .45 at pumping temperature
- Shaft Sizes: .483" through 4.735" (12.27mm through 120.27mm)
- Surface Speed: Up to 75 ft/sec.



* Depending on materials selected.

BW Seals
 Durametallic Seals
 Pacific Wietz Seals
 Pac-Seal



Dimensional Data

Seal Size	Inches					
	A	D	D-1	F	G	H
0875	1.720	0.483	0.610	1.125	2.969	1.563
0937	1.844	0.545	0.672	1.188	2.969	1.563
1000	1.844	0.608	0.735	1.188	2.969	1.563
1125	1.990	0.733	0.860	1.156	2.969	1.563
1250	2.113	0.858	0.985	1.094	3.031	1.625
1375	2.238	0.983	1.110	1.156	3.031	1.625
1500	2.363	1.108	1.235	1.313	3.031	1.625
1625	2.550	1.233	1.360	1.344	3.031	1.625
1750	2.680	1.358	1.485	1.375	3.063	1.656
1875	2.810	1.483	1.610	1.406	3.094	1.688
2000	2.930	1.608	1.735	1.406	3.094	1.688
2125	3.100	1.733	1.860	1.406	3.125	1.719
2250	3.220	1.858	1.985	1.406	3.125	1.719
2375	3.384	1.983	2.110	1.469	3.031	1.625
2500	3.585	2.107	2.235	1.563	3.188	1.781
2625	3.720	2.232	2.360	1.563	3.313	1.781
2750	3.896	2.357	2.485	1.625	3.344	1.813
2875	4.020	2.482	2.610	1.656	3.344	1.813
3000	4.198	2.607	2.735	1.656	3.438	1.906
3125	4.334	2.732	2.860	1.688	3.500	1.969
3250	4.454	2.857	2.985	1.688	3.500	1.969
3375	4.585	2.982	3.110	1.688	3.500	1.969
3500	4.704	3.107	3.235	1.688	3.500	1.969
3750	4.964	3.357	3.485	1.688	3.500	1.969
4000	5.276	3.607	3.735	1.688	3.500	1.969
4250	5.576	3.857	3.985	1.688	3.500	1.969
4500	5.766	4.107	4.235	1.688	3.500	1.969
5000	6.266	4.607	4.735	1.688	3.500	1.969

Seal Size	Metric (mm)					
	A	D	D-1	F	G	H
0875	43.7	12.27	15.49	28.6	75.4	39.7
0937	46.8	13.84	17.07	30.2	75.4	39.7
1000	46.8	15.44	18.67	30.2	75.4	39.7
1125	50.5	18.62	21.84	29.4	75.4	39.7
1250	53.7	21.79	25.02	27.8	77.0	41.3
1375	56.8	24.97	28.19	29.4	77.0	41.3
1500	60.0	28.14	31.37	33.4	77.0	41.3
1625	64.8	31.32	34.54	34.1	77.0	41.3
1750	68.1	34.49	37.72	34.9	77.8	42.1
1875	71.4	37.67	40.89	35.7	78.6	42.9
2000	74.4	40.84	44.07	35.7	78.6	42.9
2125	78.7	44.02	47.24	35.7	79.4	43.7
2250	81.8	47.19	50.42	35.7	79.4	43.7
2375	86.0	50.37	53.59	37.3	77.0	41.3
2500	91.1	53.52	56.77	39.7	81.0	45.2
2625	94.5	56.69	59.94	39.7	84.2	45.2
2750	99.0	59.87	63.12	41.3	84.9	46.1
2875	102.1	63.04	66.29	42.1	84.9	46.1
3000	106.6	66.22	69.47	42.1	87.3	48.4
3125	110.1	69.39	72.64	42.9	88.9	50.0
3250	113.1	72.57	75.82	42.9	88.9	50.0
3375	116.4	75.74	78.99	42.9	88.9	50.0
3500	119.5	78.92	82.17	42.9	88.9	50.0
3750	126.1	85.27	88.52	42.9	88.9	50.0
4000	134.0	91.62	94.87	42.9	88.9	50.0
4250	141.6	97.97	101.22	42.9	88.9	50.0
4500	146.5	104.32	107.57	42.9	88.9	50.0
5000	159.2	117.02	120.27	42.9	88.9	50.0

A = Minimum Seal Chamber Bore D & D1 = Maximum Shaft Diameter F = Minimum Seal Chamber Depth G = Seal Extension

Note: For additional sizes and conditions not listed, contact your local Flowserve Representative.
 Maximum shaft diameters comply with API 610 7th edition minimum sleeve thickness.

The information and specifications presented in this product brochure are believed to be accurate, but are supplied for information purposes only and should not be considered certified or as a guarantee of satisfactory results by reliance thereon. Nothing contained herein is to be construed as a warranty or guarantee, express or implied, with respect to the product. Although Flowserve Corporation can provide general application guidelines, it cannot provide specific information for all possible applications. The purchaser/user must therefore assume the ultimate responsibility for the proper selection, installation, operation and maintenance of Flowserve products. Because Flowserve Corporation is continually improving and upgrading its product design, the specifications, dimensions and information contained herein are subject to change without notice.

Primary Worldwide Flow Solutions Division Locations

Licenseses, authorized agents, and affiliated companies located worldwide

United States
 Kalamazoo, MI
 Phone 616-381-2650
 Fax 616-381-8368
 Temecula, CA
 Phone 909-676-5662
 Fax 909-308-4495

Canada
 Edmonton, Alberta
 Phone 708-463-7958
 Fax 708-450-1241
 St. Thomas, Ontario
 Phone 519-631-9946
 Fax 519-633-6164

Netherlands
 Roosendaal
 Phone 31-165-581-400
 Fax 31-165-552-622

Argentina
 Mendoza
 Phone 54-261-427-2300
 Fax 54-261-427-2524

Singapore
 Phone 65-746-4318
 Fax 65-747-1963

Mexico
 Tlaxcala
 Phone 52-2-461-6791
 Fax 52-2-461-6847

Brazil
 Sao Paulo
 Phone 55-11-4066-8600
 Fax 55-11-4066-7014

Japan
 Osaka
 Phone 81-720-85-5571
 Fax 81-720-85-5575

Germany
 Dortmund
 Phone 49-231-6964-0
 Fax 49-231-6964-248

Australia
 Marayong NSW
 Phone 61-2-8822-7100
 Fax 61-2-9679-7511

www.flowserve.com