



## The Right Information – Where you need it ! When you want it !

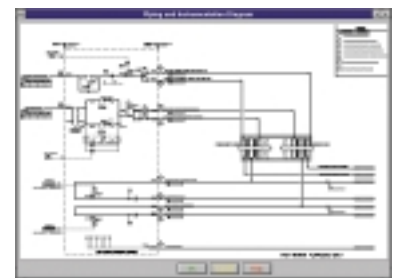
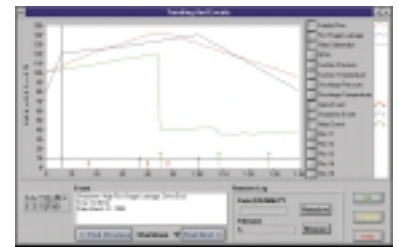
Today's economic realities are pushing turbomachinery users to reduce operating costs and extend equipment life. At the same time, the number of operating personnel is being reduced, forcing companies to work faster and more efficiently.

### What is SealVIEW™?

- SealVIEW™ is an integrated support system that assists the user in obtaining maximum life and performance from a dry gas seal system.
- SealVIEW™ is designed as an enhancement to new and existing equipment and can be completely integrated in the traditional PLC or SCADA distributed control network.
- SealVIEW™ provides local or remote status annunciation for operator convenience. Shutdown or alarming capabilities for maintaining system integrity are retained within the conventional control and monitoring system.

### SealVIEW™ Offers:

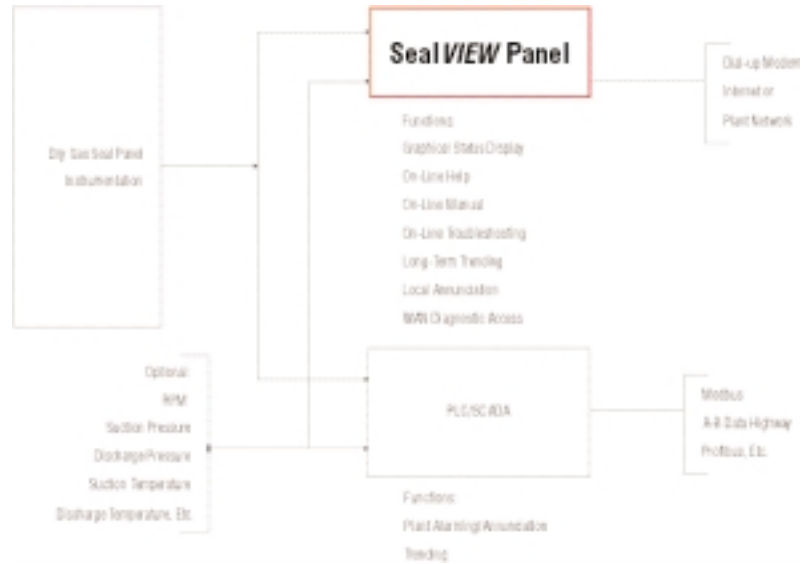
- "At-A-Glance" information on all key aspects of system operation.
- Context-sensitive specifications on all components in the system, selectable from a graphical touch screen.
- Local or remote access to retrieve system status and long-term trending data.
- A complete on-line manual including assembly drawings, procedures, piping and instrumentation diagrams.
- A living document to log and track all modifications, repairs and maintenance functions.



# How SealVIEW Fits into Your System

Remote access is often beneficial to the following individuals:

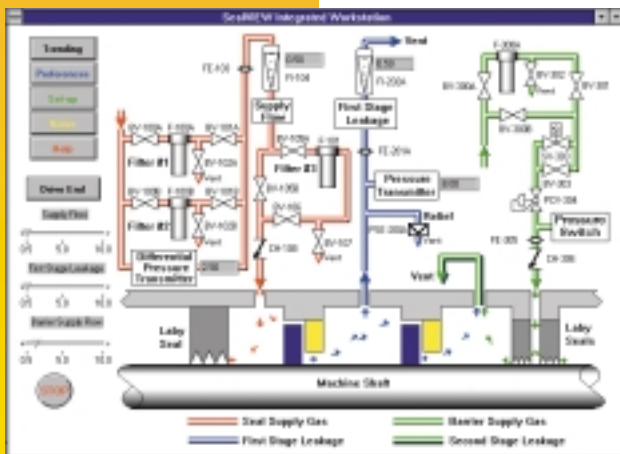
- **End user** – Engineering Staff, Operations Staff, Maintenance Personnel, Support Staff
- **Compressor Manufacturer** – Engineering Staff, Maintenance Personnel, Support Staff
- **Seal Manufacturer** – Engineering Staff, Technical Sales Staff, Parts and Repair Personnel
- **Third Party Maintenance Contractor** – Maintenance Personnel, Logistics Control
- **Seal Control Panel Manufacturer** – Engineering Staff, Technical Sales Staff, Parts and Repair Personnel



To optimize performance, SealVIEW™ allows authorized individuals access to all dry gas seal parameters and history of the site from any location in the world. Full security and read/modify/write password-control features ensure a balance between system integrity and convenient access.

## Flowserve's 50K Plus™ Program

50k Plus™ is a program designed to help ensure dry gas seal reliability in excess of 50,000 hours. Flowserve works with customers to minimize risks that contribute to seal failures by reviewing the entire system and operation.



SealVIEW™ provides the information necessary to install, commission, troubleshoot and monitor the system from a local or remote position.



Flow Solutions Division

Flowserve FSD Corporation  
 Compressor Seal Group  
 2100 Factory Street  
 Kalamazoo, MI 49001-4163  
 Phone: (1) 616-226-3400  
 FAX: (1) 616-226-3404