

# DHTW

Today's power generation plants are increasing the need for higher duty parameter mechanical seals for boiler feed and boiler circulating pumps. Flowserve's DHTW has "hot standby" capability and the ability to survive low or lost suction conditions for short time frames are important requirements in the power industry. The balanced, stationary multi-spring design is well suited for the power industry or other high pressure and/or high speed applications. Each DHTW is individually analyzed and designed for optimum performance in these critical service applications.

## Features/Benefits

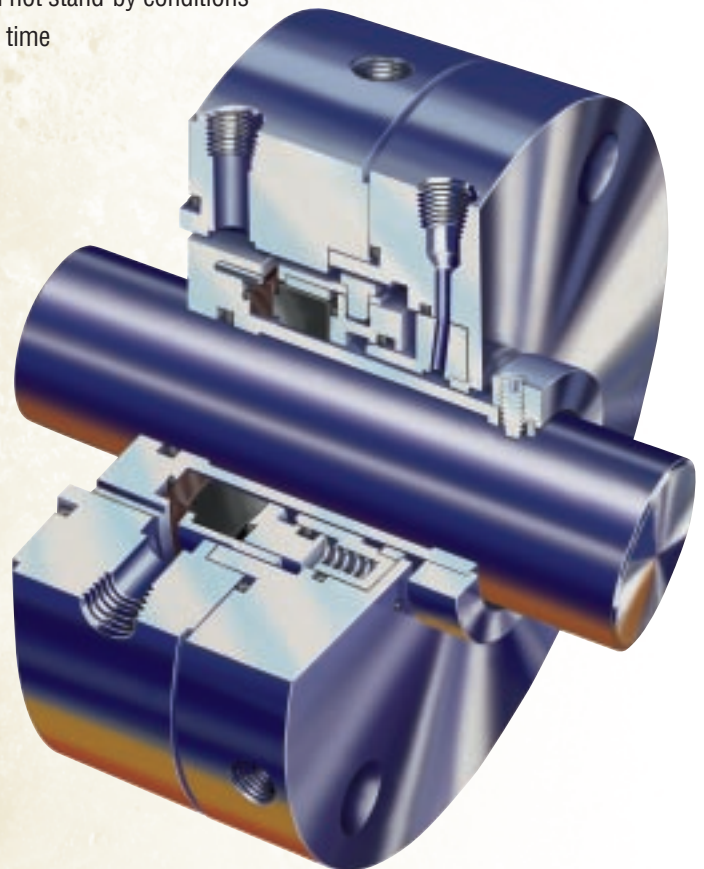
- Balanced stationary design maintains constant seal face loading for long life
- The low friction face design reduces energy requirements
- Integral cooling with patented pumping ring to a heat exchanger eliminates the need for injection of cold condensate or make-up water, even in hot stand-by conditions
- Cartridge seal eases installation and reduces maintenance time
- Proven technology with many years of experience

## Materials of Construction

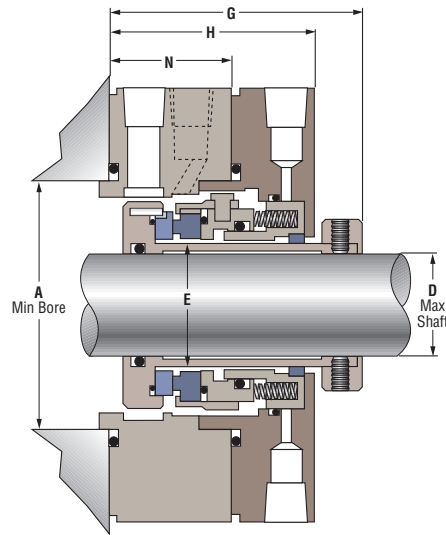
- Metal Components: Stainless Steel
- Rotating Face: Standard-Silicon Carbide  
Other face materials are possible
- Gaskets: Nitrile, Fluoroelastomer,  
Perfluoroelastomer or  
Ethylene-Propylene
- Stationary Face: Carbon or Solid Silicon Carbide

## Operating Parameters

- Pressure: To 2,500 psi (17,200 kPa)
- Temperature: To 400°F (204°C)
- Maximum Speeds: To 15,000 fpm (75 m/s)



BW Seals  
 Durametallic Seals  
 Pacific Wietz Seals  
 Pac-Seal



**Dimensional Data**

Seal Size	A**		D		E		G		H		N	
	mm	inches	mm	inches	mm	inches	mm	inches	mm	inches	mm	inches
3000	123	4.843	54	2.125	64	2.500	156	6.093	119	4.656	75	2.937
3250	129	5.093	60	2.375	70	2.750	157	6.125	120	4.687	75	2.937
3500	136	5.343	67	2.625	76	3.000	157	6.125	120	4.687	75	2.937
3750	142	5.593	73	2.875	83	3.250	157	6.125	120	4.687	75	2.937
4000	148	5.843	79	3.125	87	3.437	156	6.093	119	4.656	76	2.968
4250	155	6.093	85	3.375	94	3.687	159	6.218	122	4.781	76	2.968
4500	161	6.343	92	3.625	100	3.937	158	6.187	121	4.750	76	2.968
4750	167	6.593	98	3.875	106	4.187	157	6.156	120	4.718	76	2.968
5000	174	6.843	105	4.125	113	4.437	168	6.626	130	5.125	83	3.281
5250	183	7.187	111	4.375	119	4.687	179	7.063	141	5.563	87	3.438
5500	191	7.500	114	4.500	125	4.937	180	7.094	142	5.594	88	3.469
5750	198	7.812	121	4.750	132	5.187	180	7.094	142	5.594	89	3.500
6000	206	8.093	127	5.000	137	5.375	180	7.094	142	5.594	90	3.531
6250	214	8.437	133	5.250	143	5.625	185	7.313	148	5.813	90	3.563
6500	223	8.781	140	5.500	149	5.875	186	7.344	148	5.844	91	3.594
6750	230	9.062	146	5.750	156	6.125	187	7.376	149	5.875	93	3.656
7000	238	9.375	152	6.000	162	6.375	205	8.062	159	6.250	102	4.000
7250	246	9.687	159	6.250	168	6.625	214	8.406	168	6.593	115	4.531
7500	254	10.000	165	6.500	175	6.875	215	8.437	169	6.625	116	4.562
7750	262	10.312	171	6.750	181	7.125	215	8.437	169	6.625	116	4.562
8000	264	10.375	178	7.000	187	7.375	212	8.312	165	6.500	104	4.093
8250	267	10.531	181	7.125	191	7.500	212	8.312	165	6.500	105	4.125
8500	275	10.812	187	7.375	197	7.750	212	8.312	165	6.500	105	4.125
8750	383	11.125	194	7.625	203	8.000	212	8.312	165	6.500	106	4.156
9000	290	11.406	200	7.875	210	8.250	215	8.499	168	6.624	108	4.281
9250	298	11.718	206	8.125	216	8.500	216	8.530	169	6.655	110	4.343
9500	306	12.031	213	8.375	222	8.750	216	8.530	169	6.655	111	4.374
9750	313	12.312	219	8.625	229	9.000	217	8.561	170	6.687	112	4.405
10000	314	12.343	225	8.875	235	9.250	219	8.624	171	6.749	109	4.312
10250	318	12.531	229	9.000	238	9.375	217	8.781	174	6.843	113	4.438
10500	325	12.812	235	9.250	244	9.625	224	8.812	175	6.875	114	4.468
10750	333	13.125	241	9.500	251	9.875	227	8.937	178	7.000	114	4.468
11000	340	13.375	248	9.750	257	10.125	228	8.968	179	7.031	114	4.500
11250	348	13.687	254	10.000	264	10.370	229	9.000	179	7.062	115	4.531
11500	355	13.968	260	10.250	270	10.625	228	8.968	179	7.031	115	4.531
11750	363	14.281	267	10.500	276	10.875	229	9.000	179	7.062	116	4.562
12000	370	14.562	273	10.750	283	11.125	230	9.031	180	7.093	117	4.593

\*\*If flange is O.D. piloted or dowelled to the seal chamber, the DHTW seal can be fitted to most seal chamber bores.

The information and specifications presented in this product brochure are believed to be accurate, but are supplied for information purposes only and should not be considered certified or as a guarantee of satisfactory results by reliance thereon. Nothing contained herein is to be construed as a warranty or guarantee, express or implied, with respect to the product. Although Flowserve Corporation can provide general application guidelines, it cannot provide specific information for all possible applications. The purchaser/user must therefore assume the ultimate responsibility for the proper selection, installation, operation and maintenance of Flowserve products. Because Flowserve Corporation is continually improving and upgrading its product design, the specifications, dimensions and information contained herein are subject to change without notice.

**Primary Worldwide Flow Solutions Division Locations**

*Licensees, authorized agents, and affiliated companies located worldwide.*

**United States**  
 Kalamazoo, MI  
 Phone 616-381-2650  
 Fax 616-381-8368

Temecula, CA  
 Phone 909-676-5662  
 Fax 909-308-4495

**Canada**  
 Edmonton, Alberta  
 Phone 708-463-7958  
 Fax 708-450-1241

Scarborough, Ontario  
 Phone 416-292-2877  
 Fax 416-292-5190

**Netherlands**  
 Roosendaal  
 Phone 31-165-581-400  
 Fax 31-165-552-622

**Argentina**  
 Mendoza  
 Phone 54-261-427-2300  
 Fax 54-261-427-2524

**Singapore**  
 Phone 65-746-4318  
 Fax 65-747-1963

**Mexico**  
 Tlaxcala  
 Phone 52-2-461-6791  
 Fax 52-2-461-6847

**Brazil**  
 Sao Paulo  
 Phone 55-11-4066-8600  
 Fax 55-11-4066-7014

**Japan**  
 Osaka  
 Phone 81-720-85-5571  
 Fax 81-720-85-5575

**Germany**  
 Dortmund  
 Phone 49-231-6964-0  
 Fax 49-231-6964-248

**Australia**  
 Marayong NSW  
 Phone 61-2-8822-7100  
 Fax 61-2-9679-7511