

TBR

An outside mounted nonmetallic PTFE bellows seal has proven performance in highly corrosive applications, eliminating elastomer secondary seal problems such as shaft fretting and shaft packing hang-up.

Features/Benefits

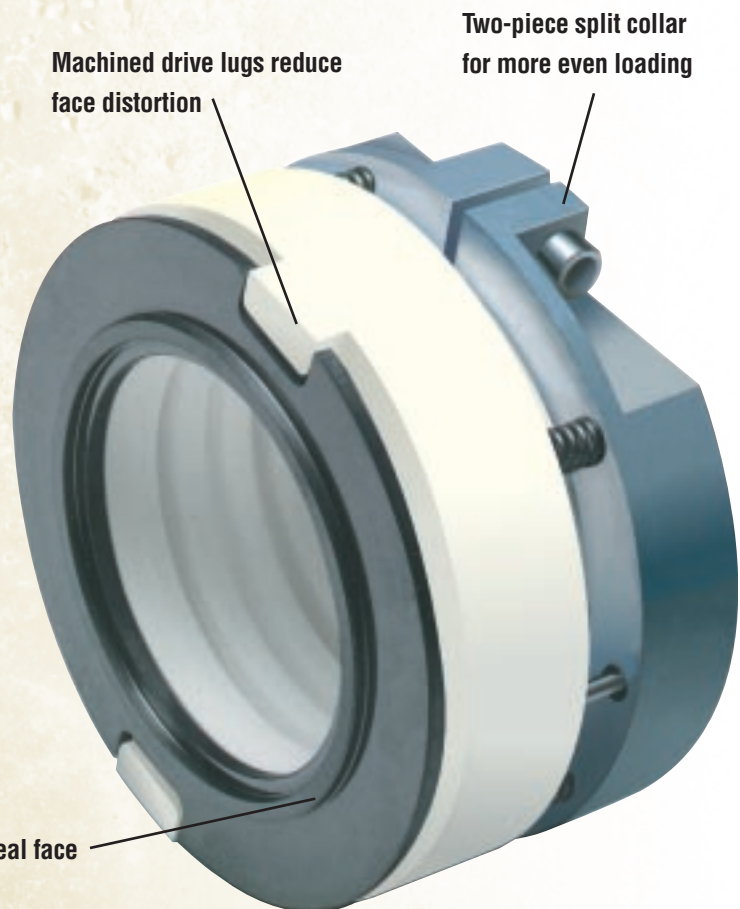
- PTFE bellows provide nearly universal chemical resistance for a wide range of services.
- Non-wetted metal parts eliminate the need for expensive metallurgies.
- The TBR bellows is inherently hydraulically balanced to ensure proper face loading.
- Installs easily on outside of stuffing box.
- Replaceable seal face for low cost repairs.
- No elastomers are required.

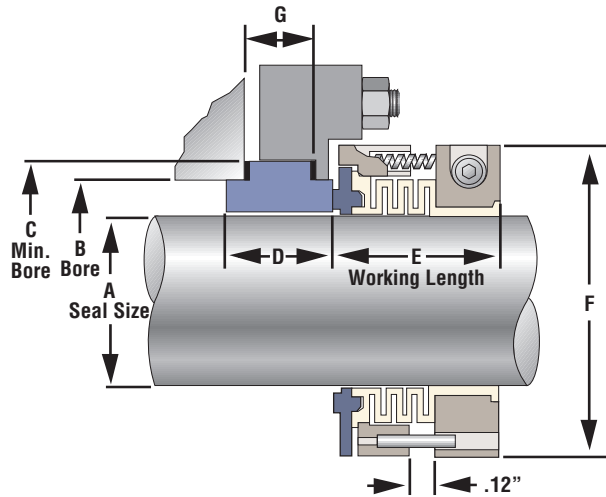
Materials of Construction

- Seal ring: Carbon
Silicon Carbide
Glass-Filled PTFE
- Insert: Silicon Carbide
Ceramic
- Bellows: PTFE
- Collar: 316 Stainless Steel
Alloy C-276

Operating Parameters

- Pressures: to 75 psig (5 bar)
- Temperatures: to 160° F (71° C)
- Shaft Speeds: to 3600 RPM





Dimensional Data (dimensions in inches)

| $\pm .001''$ A size | $\pm .005''$ B | C | D | E | F | G |
|---------------------------|-------------------|-------|-----|------|------|------|
| 1.000 | 1.625 | 2.000 | .75 | 1.12 | 2.25 | .500 |
| 1.125 | 1.750 | 2.000 | .88 | 1.12 | 2.38 | .625 |
| 1.250 | 1.875 | 2.250 | .88 | 1.12 | 2.50 | .625 |
| 1.375 | 2.000 | 2.375 | .88 | 1.12 | 2.62 | .625 |
| 1.500 | 2.125 | 2.500 | .88 | 1.25 | 2.75 | .625 |
| 1.625 | 2.375 | 2.750 | .88 | 1.25 | 2.88 | .625 |
| 1.750 | 2.500 | 2.905 | .88 | 1.50 | 3.00 | .625 |
| 1.875 | 2.625 | 2.875 | .88 | 1.50 | 3.12 | .625 |
| 2.000 | 2.750 | 3.125 | .88 | 1.50 | 3.38 | .625 |
| 2.125 | 2.875 | 3.250 | .88 | 1.50 | 3.50 | .625 |
| 2.250 | 3.000 | 3.375 | .88 | 1.50 | 3.62 | .625 |
| 2.375 | 3.125 | 3.500 | .88 | 1.62 | 3.75 | .625 |
| 2.500 | 3.375 | 3.750 | .88 | 1.62 | 3.88 | .625 |
| 2.625 | 3.625 | 4.000 | .88 | 1.62 | 4.00 | .625 |
| 2.750 | 3.750 | 4.125 | .88 | 1.62 | 4.12 | .625 |
| 2.875 | 3.875 | 4.250 | .88 | 1.62 | 4.25 | .625 |
| 3.000 | 4.000 | 4.375 | .88 | 1.62 | 4.38 | .625 |

Note: For sizes and conditions not listed, contact your local Flowserve Representative.

The information and specifications presented in this product brochure are believed to be accurate, but are supplied for information purposes only and should not be considered certified or as a guarantee of satisfactory results by reliance thereon. Nothing contained herein is to be construed as a warranty or guarantee, express or implied, with respect to the product. Although Flowserve Corporation can provide general application guidelines, it cannot provide specific information for all possible applications. The purchaser/user must therefore assume the ultimate responsibility for the proper selection, installation, operation and maintenance of Flowserve products. Because Flowserve Corporation is continually improving and upgrading its product design, the specifications, dimensions and information contained herein are subject to change without notice.

Primary Worldwide Flow Solutions Division Locations

Licenseses, authorized agents, and affiliated companies located worldwide.

| United States | Canada | Netherlands | Argentina | Australia | |
|---|---|--|--|--|--|
| Kalamazoo, MI Phone 616-381-2650 Fax 616-381-8368 | Edmonton, Alberta Phone 780-463-7958 Fax 780-450-1241 | Scarborough, Ontario Phone 416-292-2877 Fax 416-292-5190 | Roosendaal Phone 31-165-581400 Fax 31-165-552622 | Villa Martelli Phone 54-11-4790-6800 Fax 54-11-4709-7072 | Marayong NSW Phone 61-2-8822-7100 Fax 61-2-9679-7511 |
| Singapore | Mexico | Brazil | Japan | Germany | |
| Phone 65-746-4318 Fax 65-747-1963 | Tlaxcala Phone 52-2-461-6791 Fax 52-2-461-6847 | Sao Paulo Phone 55-11-4066-8600 Fax 55-11-4066-7014 | Osaka Phone 81-720-85-5571 Fax 81-720-85-5575 | Dortmund Phone 49-231-6964-0 Fax 49-231-6964-248 | |

www.flowserve.com