

P-200

An economical double pusher seal design combined with cartridge installation simplicity for wide ranges of services and industries, such as chemical processing, water treatment, sewage plants, and pulp and paper applications.

Features/Benefits

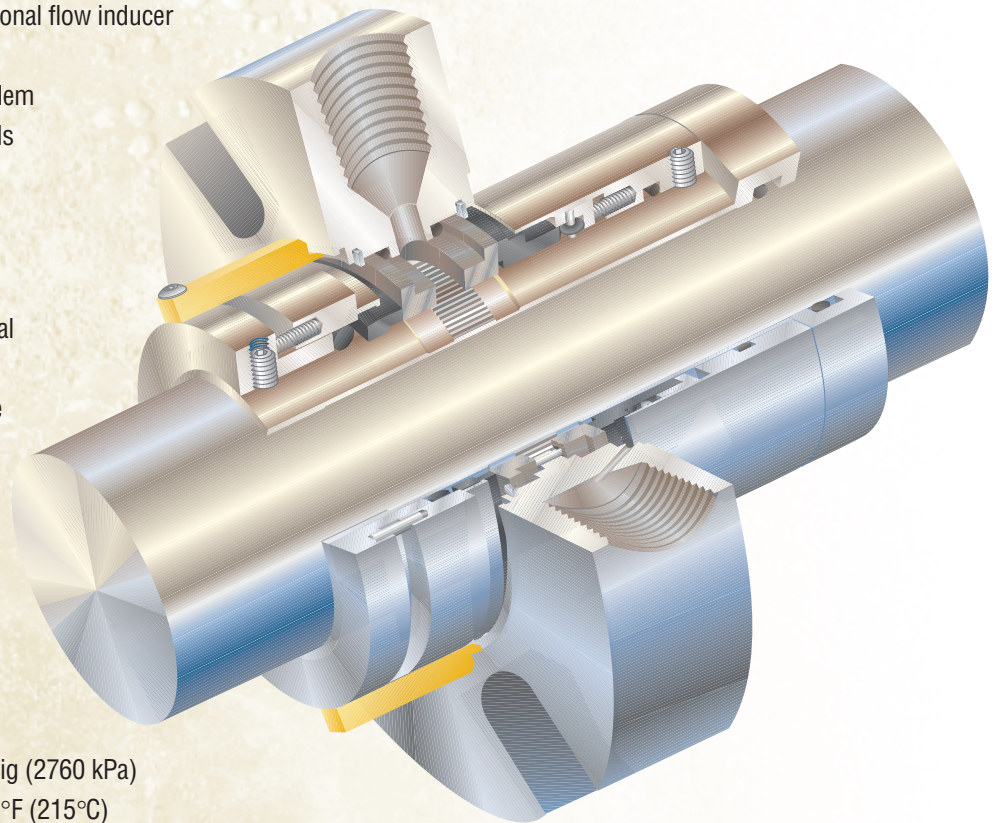
- Performance and affordability
- The P-200 Cartridge Seal mounts easily and quickly on popular pumps without costly modification.
- Shock resistant rotor drive feature
- Knurled sleeve plus bi-directional flow inducer for improved barrier flow
- Performs as a double or tandem
- Withstands pressure reversals

Materials of Construction

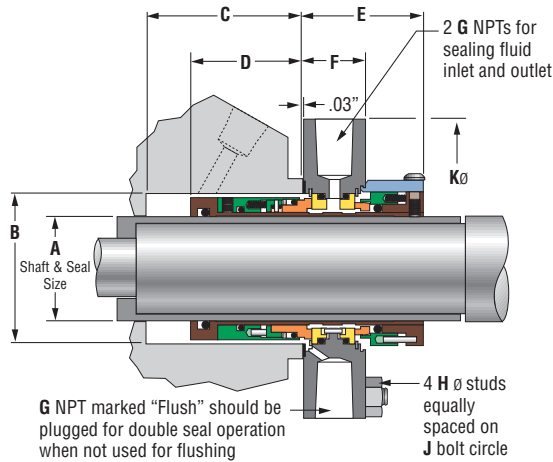
- Gland, Sleeve and Wetted Seal Hardware: 20 Stainless Steel
- Stator Faces: Silicon Carbide
- Rotor: Carbon
- Springs: Hastelloy C*
- Secondary Seals: Fluorelastomer

Operating Parameters

- Maximum Pressure: 400 psig (2760 kPa)
- Maximum Temperature: 400°F (215°C)
- Maximum Speeds: 3600 RPM



BW Seals
 Durametallic Seals
 Pacific Wietz Seals
 Pac-Seal



Dimensional Data

A Shaft & Seal Size	B (Min)	B (Max)	C	D	E	F	G	H (Max)	J (Min)	K
1.000	1.750	1.875	1.78	1.69	2.00	1.02	0.375	0.375	2.75	3.75
1.125	1.750	2.000	1.78	1.69	2.00	1.02	0.375	0.500	3.00	3.88
1.250	2.000	2.125	1.97	1.88	2.00	1.02	0.375	0.500	3.12	4.25
1.375	2.000	2.250	1.97	1.88	2.00	1.02	0.375	0.375	3.25	4.25
1.500	2.250	2.500	1.97	1.88	2.00	1.02	0.375	0.375	3.75	4.75
1.625	2.375	2.625	1.97	1.88	2.00	1.02	0.375	0.500	3.75	4.75
1.750	2.500	2.750	1.97	1.88	2.00	1.02	0.375	0.500	3.75	5.00
1.875	2.625	2.875	1.97	1.88	2.00	1.02	0.375	0.500	3.88	5.00
2.000	2.750	3.000	1.97	1.88	2.00	1.02	0.375	0.625	4.12	5.12
2.125	2.875	3.250	1.97	1.88	2.00	1.02	0.375	0.625	4.38	6.00
2.250	3.000	3.375	1.97	1.88	2.00	1.02	0.375	0.625	4.62	6.50
2.375	3.250	3.625	2.16	2.06	2.09	1.11	0.375	0.625	5.00	6.38
2.500	3.375	3.750	2.16	2.06	2.09	1.11	0.375	0.625	5.00	6.62
2.625	3.500	3.875	2.16	2.06	2.09	1.11	0.375	0.750	5.75	7.25
2.750	3.750	4.062	2.16	2.06	2.62	1.58	0.500			
2.875	3.875	4.187	2.16	2.06	2.62	1.58	0.500			
3.000	4.000	4.312	2.16	2.06	2.62	1.58	0.500			
3.125	4.250	4.562	2.16	2.06	2.62	1.58	0.500			
3.250	4.375	4.687	2.28	2.19	2.75	1.71	0.500			
3.375	4.500	4.812	2.28	2.19	2.75	1.71	0.500			
3.500	4.625	4.937	2.28	2.19	2.75	1.71	0.500			
3.625	4.750	5.062	2.28	2.19	2.75	1.71	0.500			
3.750	4.875	5.187	2.28	2.19	2.75	1.71	0.500			
3.875	5.000	5.312	2.28	2.19	2.75	1.71	0.500			

The bolt diameter, bolt circle and gland O.D. for shaft and seal sizes 2.750" through 3.875" will be determined by equipment requirements.

The information and specifications presented in this product brochure are believed to be accurate, but are supplied for information purposes only and should not be considered certified or as a guarantee of satisfactory results by reliance thereon. Nothing contained herein is to be construed as a warranty or guarantee, express or implied, with respect to the product. Although Flowserve Corporation can provide general application guidelines, it cannot provide specific information for all possible applications. The purchaser/user must therefore assume the ultimate responsibility for the proper selection, installation, operation and maintenance of Flowserve products. Because Flowserve Corporation is continually improving and upgrading its product design, the specifications, dimensions and information contained herein are subject to change without notice.

Primary Worldwide Flow Solutions Division Locations

Licensees, authorized agents, and affiliated companies located worldwide.

United States
 Kalamazoo, MI
 Phone 616-381-2650
 Fax 616-381-8368

Temecula, CA
 Phone 909-676-5662
 Fax 909-308-4495

Canada
 Edmonton, Alberta
 Phone 403-463-7958
 Fax 403-450-1241

St. Thomas, Ontario
 Phone 519-631-9946
 Fax 519-633-6164

Netherlands
 Roosendaal
 Phone 31-165-581-400
 Fax 31-165-552-622

Argentina
 Mendoza
 Phone 54-261-427-2300
 Fax 54-261-427-2524

Singapore
 Phone 65-746-4318
 Fax 65-747-1963

Mexico
 Tlaxcala
 Phone 52-2-461-6791
 Fax 52-2-461-6847

Brazil
 Sao Paulo
 Phone 55-11-4066-8600
 Fax 55-11-4066-7014

Japan
 Osaka
 Phone 81-720-85-5571
 Fax 81-720-85-5575

Germany
 Dortmund
 Phone 49-231-6964-0
 Fax 49-231-6964-248

Australia
 Marayong NSW
 Phone 61-2-8822-7100
 Fax 61-2-9679-7511