

# P-50

A single, pusher seal excellent for numerous services in chemical processing, water treatment and sewage plants, and pulp and paper mills. Preset cartridge design speeds installation, eliminates chance of installation error. Very easy to repair, too. Springs are mounted on stationary portion of seal to forgive seal misalignment and face eccentricity. Fits standard ANSI pumps.

### Features/Benefits

- Preset cartridge eliminates seal setting errors.
- Soft drive feature cushions the rotor drive pin, evenly distributing loads at the carbon rotor drive slot.
- Flexible stator design that can better withstand face eccentricities and out of perpendicularity conditions.
- Off-the-shelf availability to fit standard ANSI pump sizes.

### Materials of Construction

- Gland, Sleeve, Collar, and Stator Body:  
316 Stainless Steel
- Rotor: Silicon Carbide 2
- Stator Face: #5 Carbon

### Operating Parameters

Maximum Pressure:

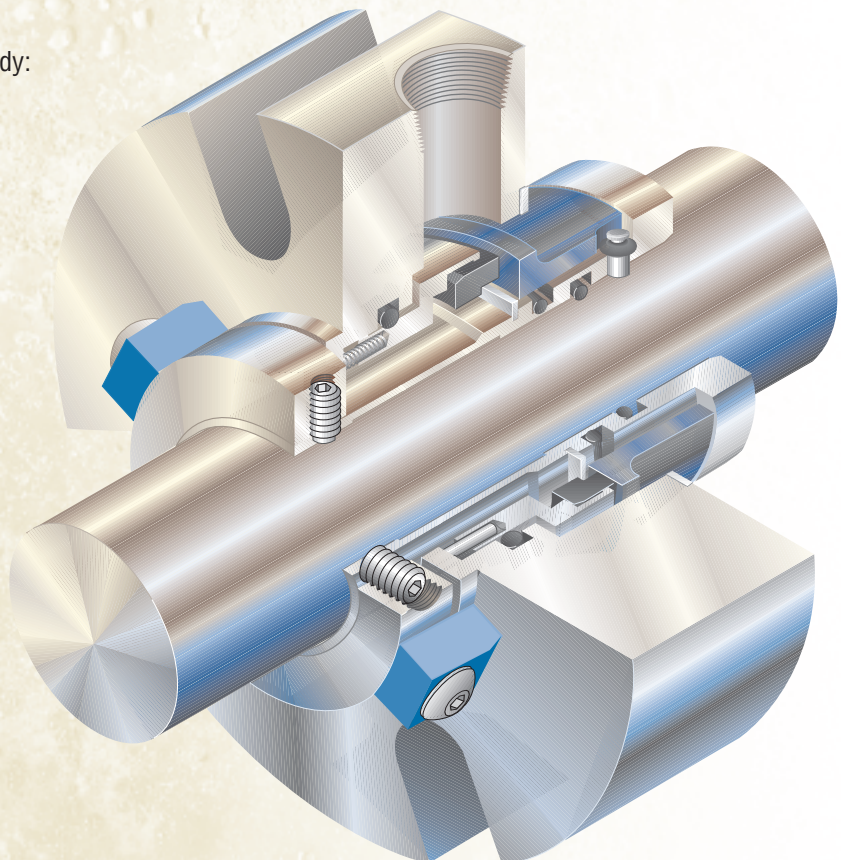
- Up to 300 PSIG (2070 kPa)

Maximum Temperature:

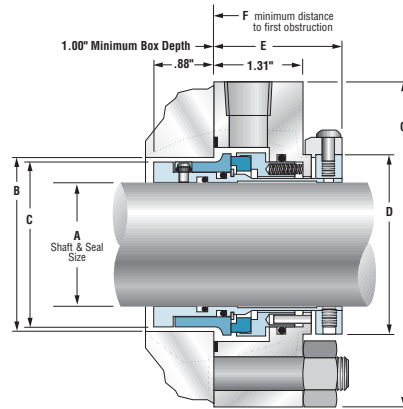
- 300°F (150°C)

Maximum Speed:

- 3600 RPM for sizes up to 3.125" (80mm)
- 2400 RPM for sizes over 3.125" (80mm)



BW Seals  
 Durametallic Seals  
 Pacific Wietz Seals  
 Pac-Seal



**Dimensional Data** (inches)

A Shaft & Seal Size	B (Min)	B (Max)	C	D	E	F	G	Minimum Bolt Circle for Bolt Diameter			
								.375	.500	.625	.750
1.000	1.625	2.000	1.50	1.750	1.88	2.00	3.69 - 3.75	2.75	2.88		
1.125	1.750	2.125	1.62	1.875	1.88	2.00	3.81 - 3.88	2.88	3.00		
1.250	1.875	2.250	1.75	2.000	1.88	2.00	4.19 - 4.25	3.00	3.12		
1.375	2.000	2.375	1.88	2.125	1.88	2.00	4.19 - 4.25	3.12	3.25		
1.500	2.250	2.625	2.12	2.375	1.88	2.00	4.69 - 4.75	3.44	3.56		
1.625	2.375	2.750	2.25	2.500	1.88	2.00	4.69 - 4.75	3.56	3.69		
1.750	2.500	2.875	2.38	2.625	1.88	2.00	4.94 - 5.00	3.62	3.75		
1.875	2.625	3.000	2.50	2.750	1.88	2.00	4.94 - 5.00	3.75	3.88		
2.000	2.750	3.125	2.62	2.875	1.88	2.00	5.06 - 5.12	3.94	4.06	4.25	
2.125	2.875	3.250	2.75	3.000	1.88	2.00	5.94 - 6.00	4.06	4.19	4.38	
2.250	3.000	3.375	2.88	3.125	1.88	2.00	6.44 - 6.50	4.19	4.31	4.50	
2.375	3.250	3.625	3.12	3.375	2.00	2.12	6.31 - 6.38	4.44	4.56	4.75	
2.500	3.375	3.750	3.25	3.500	2.00	2.12	6.56 - 6.62	4.56	4.69	4.88	
2.625	3.500	3.875	3.38	3.625	2.00	2.12	7.19 - 7.25	4.69	4.81	5.00	5.25
2.750	3.625	4.000	3.50	3.750	2.00	2.12	7.69 - 7.75	4.81	4.94	5.12	5.38
2.875	3.750	4.125	3.62	3.875	2.00	2.12	7.94 - 8.00	4.94	5.06	5.25	5.50
3.000	3.875	4.250	3.75	4.000	2.00	2.12	8.06 - 8.12	5.06	5.19	5.38	5.62
3.125	4.000	4.375	3.88	4.125	2.00	2.12	8.19 - 8.25	5.19	5.31	5.50	5.75
3.250	4.125	4.500	4.00	4.250	2.00	2.12	8.31 - 8.38	5.31	5.44	5.62	5.88
3.375	4.250	4.625	4.12	4.375	2.00	2.12	8.44 - 8.50	5.44	5.56	5.75	6.00
3.500	4.375	4.750	4.25	4.500	2.00	2.12	8.56 - 8.62	5.56	5.69	5.88	6.12
3.625	4.500	4.875	4.38	4.625	2.00	2.12	8.69 - 8.75	5.69	5.81	6.00	6.25
3.750	4.625	5.000	4.50	4.750	2.00	2.12	8.81 - 8.88	5.81	5.94	6.12	6.38
3.875	4.750	5.125	4.62	4.875	2.00	2.12	8.94 - 9.00	5.94	6.06	6.25	6.50
4.000	4.875	5.250	4.75	5.000	2.00	2.12	8.94 - 9.00	6.06	6.19	6.38	6.62

The information and specifications presented in this product brochure are believed to be accurate, but are supplied for information purposes only and should not be considered certified or as a guarantee of satisfactory results by reliance thereon. Nothing contained herein is to be construed as a warranty or guarantee, express or implied, with respect to the product. Although Flowserve Corporation can provide general application guidelines, it cannot provide specific information for all possible applications. The purchaser/user must therefore assume the ultimate responsibility for the proper selection, installation, operation and maintenance of Flowserve products. Because Flowserve Corporation is continually improving and upgrading its product design, the specifications, dimensions and information contained herein are subject to change without notice.

**Primary Worldwide Flow Solutions Division Locations**

*Licenseses, authorized agents, and affiliated companies located worldwide.*

<p><b>United States</b></p> <p>Kalamazoo, MI                  Phone 616-381-2650                  Fax 616-381-8368</p>		<p><b>Canada</b></p> <p>Edmonton, Alberta                  Phone 708-463-7958                  Fax 708-450-1241</p>		<p><b>Netherlands</b></p> <p>Roosendaal                  Phone 31-165-581-400                  Fax 31-165-552-622</p>		<p><b>Argentina</b></p> <p>Mendoza                  Phone 54-261-427-2300                  Fax 54-261-427-2524</p>	
<p><b>Singapore</b></p> <p>Phone 65-746-4318                  Fax 65-747-1963</p>		<p><b>Mexico</b></p> <p>Tlaxcala                  Phone 52-2-461-6791                  Fax 52-2-461-6847</p>		<p><b>Brazil</b></p> <p>Sao Paulo                  Phone 55-11-4066-8600                  Fax 55-11-4066-7014</p>		<p><b>Japan</b></p> <p>Osaka                  Phone 81-720-85-5571                  Fax 81-720-85-5575</p>	
		<p><b>Germany</b></p> <p>Dortmund                  Phone 49-231-6964-0                  Fax 49-231-6964-248</p>		<p><b>Australia</b></p> <p>Marayong NSW                  Phone 61-2-8822-7100                  Fax 61-2-9679-7511</p>			

www.flowserve.com