

SLC

A self contained single cartridge heavy duty slurry seal designed to operate in harsh slurry. Designed to operate without a flush to increase plant efficiency, reduce operating costs and eliminate product dilution. Incorporates a unique non-clogging cone spring design that increases seal reliability.

Features/Benefits

- Only five (5) group sizes. Maximum flexibility with minimum inventory.
- No flush water needed. No product dilution. No sealing support systems.
- Cartridge seal configuration. Easy to install and operate. No special tooling needed for installation into your equipment. No adjustment needed during seal life.
- Abrasion-resistant and corrosion-resistant metal parts. Provide seal life consistent with equipment parts.
- Installed from equipment's wet end. No seal-related, bearing housing adjustments. Allows equipment impeller-to-casing clearance adjustments without adjusting seal.
- Hydraulically-balanced design. Excellent reliability and repeatability of performance.
- Strict Quality Control on all components. Every cone spring is 100% inspected during manufacturing process for highest reliability and repeatability.
- Modular design for replacing seal wear parts. Replace the entire cartridge or replace individual seal-wear parts during routine equipment maintenance. Individual seal parts are easily replaced on site without special tools. Minimum downtime. Minimum inventory.

Materials of Construction

Wetted Metal Components:

- Standard: Corrosion-resistant CD-4MCuN
- Optional: Abrasion-resistant, heat-treated high chrome iron
Other alloys are available as options

Seal Faces:

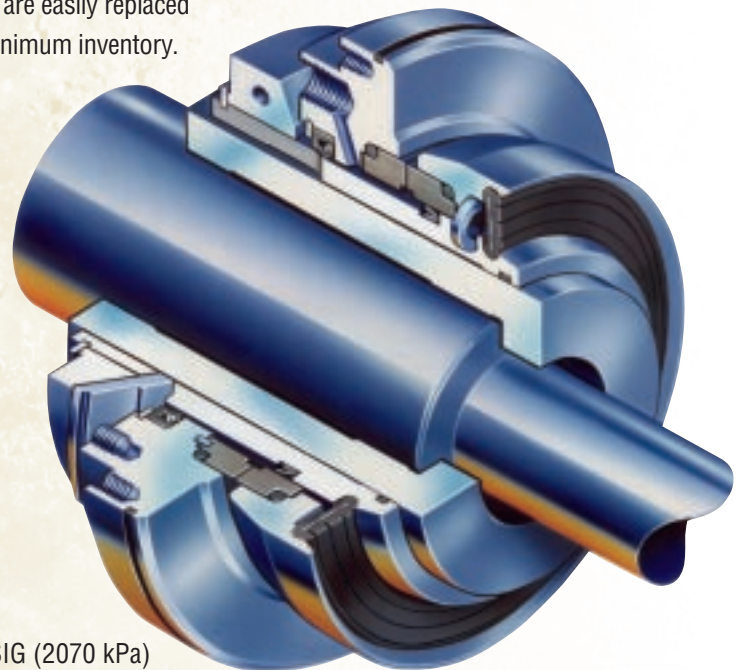
- Standard: Sintered Silicon carbide
- Optional: Tungsten carbide

Cone Spring Elastomers:

- EPDM; TFE Elastomer; Fluoroelastomer

Operating Parameters

- Maximum Seal Chamber Pressure: 300 PSIG (2070 kPa)
- Maximum Process Temperature: 170°F (77°C) without quench
300°F (149°C) with quench
- Maximum Slurry Particle MOH Hardness: MOH 9
- Maximum Slurry % Solids by Weight: 60%

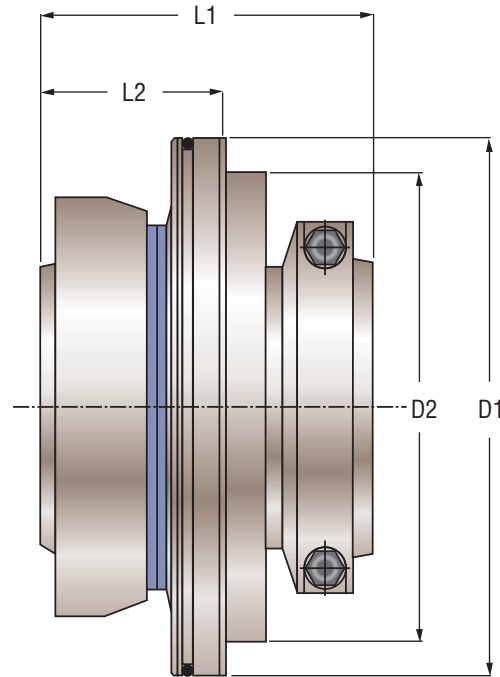


Dimensional Data

Seal Size	Fits Shaft Diameters
Group 1	1.375" - 2.125" (35mm - 54mm)
Group 2	2.125" - 3.125" (54mm - 79mm)
Group 3	3.125" - 4.125" (79mm - 105mm)
Group 4	4.125" - 5.438" (105mm - 138mm)
Group 5	5.438" - 7.125" (138mm - 181mm)

Standard (Inches)				
	L1	L2	D1	D2
Group 1	4.51	2.45	6.00	5.03
Group 2	4.75	2.47	7.38	6.16
Group 3	5.01	2.65	8.53	7.34
Group 4	5.73	2.67	10.27	9.04
Group 5	6.38	3.09	12.44	11.06

Metric (Millimeters)				
	L1	L2	D1	D2
Group 1	114.6	62.2	152.4	127.8
Group 2	120.6	62.7	187.3	156.5
Group 3	127.2	67.3	216.7	186.4
Group 4	145.5	67.8	260.9	229.6
Group 5	162.1	78.5	316.0	280.9



Note: For operating parameters not listed, contact your local Flowserve Representative.

The information and specifications presented in this product brochure are believed to be accurate, but are supplied for information purposes only and should not be considered certified or as a guarantee of satisfactory results by reliance thereon. Nothing contained herein is to be construed as a warranty or guarantee, express or implied, with respect to the product. Although Flowserve Corporation can provide general application guidelines, it cannot provide specific information for all possible applications. The purchaser/user must therefore assume the ultimate responsibility for the proper selection, installation, operation and maintenance of Flowserve products. Because Flowserve Corporation is continually improving and upgrading its product design, the specifications, dimensions and information contained herein are subject to change without notice.

Primary Worldwide Flow Solutions Division Locations

Licenseses, authorized agents, and affiliated companies located worldwide.

<p>United States</p> <p>Kalamazoo, MI Phone 616-381-2650 Fax 616-381-8368</p>	<p>Temecula, CA Phone 909-676-5662 Fax 909-308-4495</p>	<p>Canada</p> <p>Edmonton, Alberta Phone 708-463-7958 Fax 708-450-1241</p>	<p>St. Thomas, Ontario Phone 519-631-9946 Fax 519-633-6164</p>	<p>Netherlands</p> <p>Roosendaal Phone 31-165-581-400 Fax 31-165-552-622</p>	<p>Argentina</p> <p>Mendoza Phone 54-261-427-2300 Fax 54-261-427-2524</p>
<p>Singapore</p> <p>Phone 65-746-4318 Fax 65-747-1963</p>	<p>Mexico</p> <p>Tlaxcala Phone 52-2-461-6791 Fax 52-2-461-6847</p>	<p>Brazil</p> <p>Sao Paulo Phone 55-11-4066-8600 Fax 55-11-4066-7014</p>	<p>Japan</p> <p>Osaka Phone 81-720-85-5571 Fax 81-720-85-5575</p>	<p>Germany</p> <p>Dortmund Phone 49-231-6964-0 Fax 49-231-6964-248</p>	<p>Australia</p> <p>Marayong NSW Phone 61-2-8822-7100 Fax 61-2-9679-7511</p>