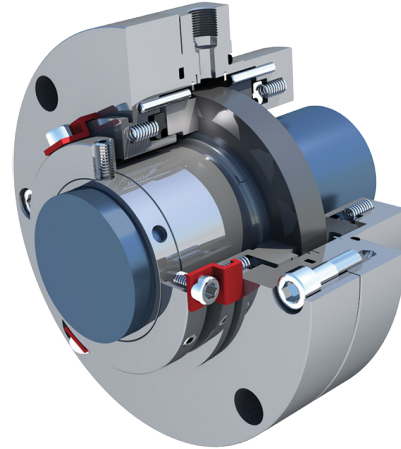


THOMSON MECHANICAL SEALS

TGP

Thomson Dual Gas Lubricated Face-to-Face Seal


FEATURES

- Zero fugitive emissions.
- Non-contacting, no wear and long life.
- Suitable for non-lubricating media.
- Cool running.

APPLICATIONS

- Chemical.
- Petrochemical.
- Refinery.
- Pharmaceutical.
- Process gases.
- Toxic, corrosive, abrasive, and hazardous media.
- Hydrogen sulfide, ethylene, hydrogen chloride.
- Pumps, compressors.

OPERATING RANGE

All operating range information is dependent on media, materials of construction, and support systems used. Please contact A.R. Thomson mechanical seal services department for more information.

Pressure, Max:	175 psig (12 bar)
Temperature, Max:	750°F (400°C)
Speed, Max:	5000 fpm (25 m/s)

STANDARD MATERIALS

Wetted Parts*:	316SS
Seal Faces:	Antimony Impregnated Carbon Graphite, Silicon Carbide, Tungsten Carbide, Resin Impregnated Carbon Graphite
Elastomers:	EPDM, Kalrez, Viton
Springs:	316SS

Limitation of liability: actual performance may vary and is determined by factors unique to a given application. It is recommended that care be taken in the selection and application of materials for hazardous services and controlled testing be undertaken to determine suitability for a specific application. A.R. Thomson Group does not make or imply any warranty of suitability for a particular purpose and is not liable for any damages arising from the use of the information in this sheet. v1.1 WWW.ARTHOMSON.COM