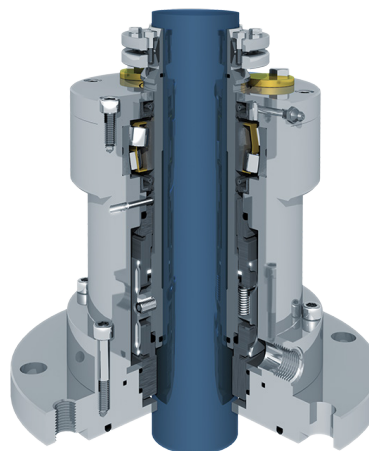


THOMSON MECHANICAL SEALS

TMA-3/3L

Thomson Mix-All dual balanced multi-spring cartridge seal for mixers.



The TMA-3 and TMA-3L mechanical seals are designed for applications where process containment is mission critical. Utilizing a pressurized barrier system to prevent process escape into the atmosphere, this dual balanced design can withstand pressure reversals that could lead to seal failure with other manufacturers designs.

FEATURES

- Pre-assembled cartridge design.
- Dual faces for added containment.
- Able to accommodate process upset without losing seal integrity.
- Barrier fluid to cool faces.
- Available with or without integral bearing.
- Bi-directional.

APPLICATIONS

- Top entry Mixers/Agitators/Blenders.
- Chemically aggressive or hazardous media.
- Pulp and Paper.
- Ore Processing.
- Chemical.
- Pharmaceutical.
- Food and Beverage.

OPERATING RANGE

All operating range information is dependent on media, materials of construction, and support systems used. Please contact A.R. Thomson mechanical seal services department for more information.

| | |
|-----------------------|---------------------------------|
| Pressure, Max: | 360 psig (25 bar) |
| Temperature: | -40°F to 400°F (-40°C to 200°C) |
| Speed, Max: | 800 fpm (4 m/s) |

STANDARD MATERIALS

| | |
|---------------------|---|
| Seal Faces: | Resin impregnated graphite carbon, antimony carbon-graphite, silicon carbide, dry running carbon. |
| O-Rings: | FKM, EPDM, Nitrile, Aflas, FFKM. |
| Springs: | Hastelloy C |
| Metallurgy*: | 316SS |

*Hastelloy C, Alloy 20 and Titanium available upon request.

Limitation of liability: actual performance may vary and is determined by factors unique to a given application. It is recommended that care be taken in the selection and application of materials for hazardous services and controlled testing be undertaken to determine suitability for a specific application. A.R. Thomson Group does not make or imply any warranty of suitability for a particular purpose and is not liable for any damages arising from the use of the information in this sheet. v1.1 WWW.ARTHOMSON.COM