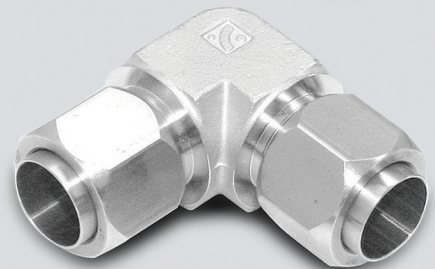
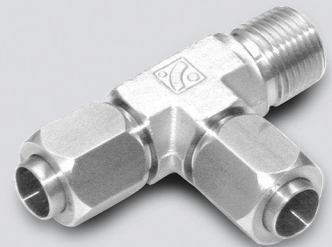
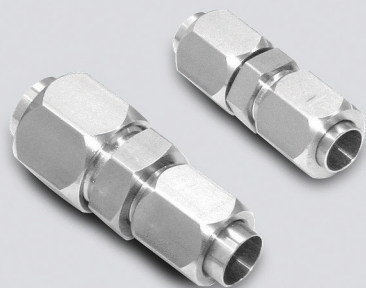
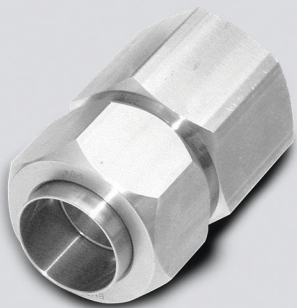
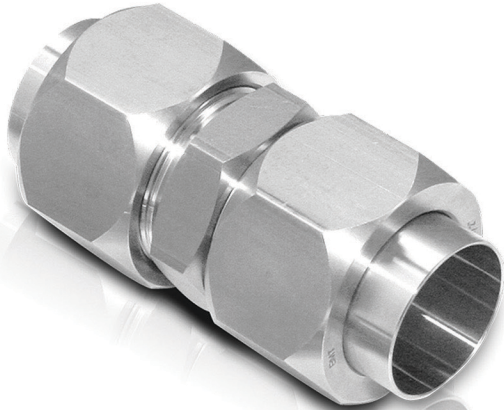
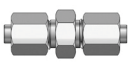

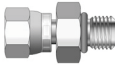






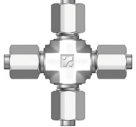
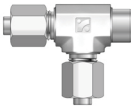
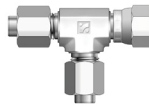
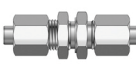




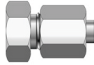
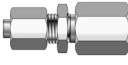
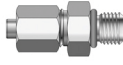
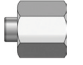
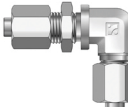

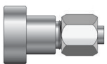
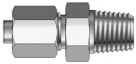





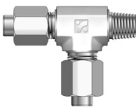



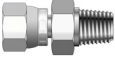


37° Flared Tube Fittings (SAE J514)



INDEX

 <p>JU Union</p>	 <p>JHME 45° Male Elbow</p>	 <p>JMSC-U O-Ring Seal Male Swivel Connector</p>
 <p>JUE Union Elbow</p>	 <p>JFC Female Connector</p>	 <p>JFSC Female Swivel Connector</p>
 <p>JUT Union Tee</p>	 <p>JFE Female Elbow</p>	 <p>JSE Swivel Elbow</p>
 <p>JUC Union Cross</p>	 <p>JFRT Female Run Tee</p>	 <p>JSRT Swivel Run Tee</p>
 <p>JBHU Bulkhead Union</p>	 <p>JFBT Female Branch Tee</p>	 <p>JSBT Swivel Branch Tee</p>
 <p>JBUW Weld Bulkhead Union</p>	 <p>JMC-GO O-Ring Seal Male Connector (PF)</p>	 <p>JP Plug</p>
 <p>JBFC Bulkhead Female Connector</p>	 <p>JMC-U O-Ring Seal Male Connector (UNF/UN)</p>	 <p>JC Tube Cap</p>
 <p>JBUE Bulkhead Union Elbow</p>	 <p>JPME-U Positionable Male Elbow</p>	 <p>JRA Reducer Adapter</p>
 <p>JMC Male Connector</p>	 <p>JPHME-U Positionable 45° Male Elbow</p>	 <p>JLN Bulkhead Lock Nut</p>
 <p>JME Male Elbow</p>	 <p>JPMBT-U Positionable Male Branch Tee</p>	 <p>JN Nut</p>
 <p>JMRT Male Run Tee</p>	 <p>JPMRT-U Positionable Male Run Tee</p>	 <p>JS Sleeve</p>
 <p>JMBT Male Branch Tee</p>	 <p>JMSC Male Swivel Connector</p>	

Design and Construction

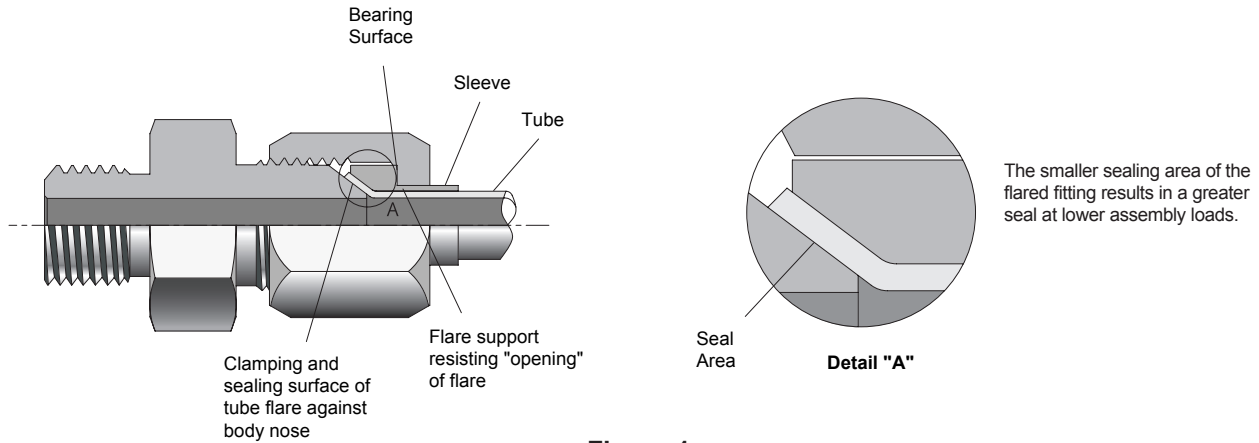


Figure.1

The SAE 37° Flared Tube Fittings design is simple and reliable with a single seal point. It uses an easily produced flare at the tube end to seal against the fitting seat and hold fluid under high pressure. The fitting consists of three pieces: the body, sleeve, and nut. The tube end is flared at a 37° angle (74° included angle) and held between the fitting nose (seat) and the sleeve (support) with the nut as shown in the above figure, providing a very effective (single) seal between the fitting nose and the tube flare. The design of SAE 37° Flared Tube Fittings is very efficient. The fitting incorporates the smallest seal area of all fitting types. This seal area, as seen in Fig. 3, is only slightly larger than the fluid flow area. The small seal area results in a compact design, low assembly torque, and relatively high-pressure capability. The primary difference between a two-piece flare fitting and the three-piece design is the flare support sleeve. The support sleeve provides several key functions:

1. It provides a clamping surface for the tube flare.
2. It provides a bearing surface for the tube nut. The sleeve isolates the tube from the nut, minimizing the tube twist during assembly, a common problem of two-piece flare fitting designs.
3. It provides support to the tube flare. The tapered fitting nose tends to wedge open the tube flare during assembly. The sleeve helps to resist this expansion, thus eliminating the possibility of tube flare and sleeve jamming inside the nut. This allows for easier disassembly.
4. It makes the fitting adaptable to metric tube by simply changing its sleeve to metric.

Due to the popularity and simplicity of the 37° flare fitting, many manufacturers offer the product. Even though most manufacturers conform to the same dimensional standards, there are significant performance advantages with SUPERLOK SAE 37° Flared Tube Fittings due to SUPERLOK's optimized manufacturing methods and commitment to quality.

Thread Designator

Pipe Thread

Thread Type	Thread Size								
	1/8	1/4	3/8	1/2	3/4	1	1 1/4	1 1/2	2
NPT	01N	02N	03N	04N	06N	08N	10N	12N	16N
ISO/BSP Parallel	01G	02G	03G	04G	06G	08G	10G	12G	16G
ISO/BSP Tapered	01R	02R	03R	04R	06R	08R	10R	12R	16R

Unified Thread

Thread Type	Thread Size												
	5/16-24	3/8-24	7/16-20	1/2-20	9/16-18	3/4-16	7/8-14	1 1/16-12	1 3/16-12	1 5/16-12	1 5/8-12	1 7/8-12	2 1/2-12
UNF/UN	02U	03U	04U	05U	06U	08U	10U	12U	14U	16U	20U	24U	32U

Assembly Instructions

Perform flaring according to SAE J533.
See Table 1 below for dimensions .

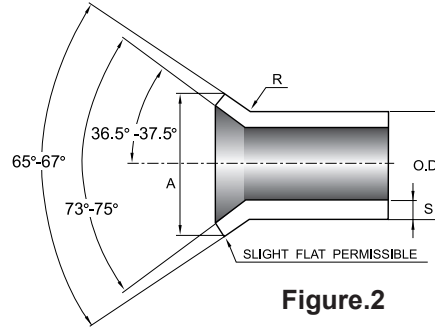


Figure.2

TABLE 1: Flaring

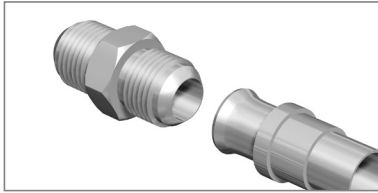
Nominal Tube O.D.	A single flare diameter				R		S	
	in		mm		in	mm	in	mm
	Max	Min	Max	Min	±0.02	±0.5		
1/8	0.20	0.18	5.08	4.58	0.03	0.8	0.035	0.88
3/16	0.28	0.26	7.11	6.61	0.03	0.8	0.035	0.88
1/4	0.36	0.34	9.14	8.64	0.03	0.8	0.065	1.65
5/16	0.43	0.40	10.92	10.16	0.03	0.8	0.065	1.65
3/8	0.49	0.46	12.44	11.69	0.04	1.0	0.065	1.65
1/2	0.66	0.63	16.76	16.01	0.06	1.5	0.083	2.10
5/8	0.79	0.76	20.06	19.31	0.06	1.5	0.095	2.41
3/4	0.95	0.92	24.13	23.37	0.08	2.0	0.109	2.76
7/8	1.07	1.04	27.17	26.42	0.08	2.0	0.109	2.76
1	1.20	1.17	30.48	29.72	0.09	2.3	0.120	3.04
1 1/8	1.38	1.35	35.05	34.92	0.09	2.3	0.120	3.04
1 1/4	1.51	1.48	38.35	37.60	0.09	2.3	0.120	3.04
1 1/2	1.73	1.70	43.94	43.18	0.11	2.8	0.120	3.04
TUBE LENGTH ALLOWANCE	Prior to flaring, tube length allowance should be added to the cut tube length to allow for the reduction in tube length caused by flaring.							

Dimensions are for reference only, and are subject to change without notice.

TABLE 2 : Allowable Working Pressure Ratings (Capable of 4" to 1" Min. Burst)

Nom.SAE Dash Size	Nom.Tube O.D Inches	37° Flare Straight Thread	Nom.Pipe Size	SAE St. Threads Union and Bulkhead (psi)	Fittings with Pipe Threads (psi)
2	1/8	5/16" - 24	1/8"	5000	5000
3	3/16	3/8" - 24	1/8"	5000	5000
4	1/4	7/16" - 20	1/8"	5000	5000
5	5/16	1/2" - 20	1/8"	5000	5000
6	3/8	9/16" - 18	1/4"	5000	5000
8	1/2	3/4" - 16	3/8"	4500	4000
10	5/8	7/8" - 14	1/2"	3500	3000
12	3/4	1 1/16" - 12	3/4"	3500	3000
14	7/8	1 3/16" - 12	3/4"	3000	2500
16	1	1 5/16" - 12	1"	3000	2000
20	1 1/4	1 5/8" - 12	1 1/4"	2500	1150
24	1 1/2	1 7/8" - 12	1 1/2"	2000	1000
32	2	2 1/2" - 12	2"	1500	1000
NOTE	Since many factors influence the pressure at which a system will or will not perform satisfactorily, values shown in Table 2 should not be construed as guaranteed minimum.				

Meets SAE Standard J514

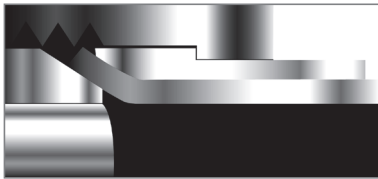


Fitting body and sleeve on flared tube.

Standard inch flared fittings can be used with metric tube by replacing the standard inch sleeve with a metric sleeve. Each dimension table in this section shows which metric sleeve is to be used with each inch size fitting body and nut.

Assembly Instructions

1. Cut the tube to the proper length.
2. Slide the nut and sleeve onto the tube.
3. With a special flaring tool, form the flare to 37° dimension according to SAE J533 (refer to previous page).
4. Screw the nut onto the body until finger tight.
5. From this position, tighten the nut with a wrench 1/4 turn in order to make a leak-proof metal-to-metal connection.



Assembled fitting with tube flare mating to fitting body creating a seal.

Tube Data For 37° Flared Three-Piece Tube Assembly

In order to ensure maximum fitting reliability and performance, carefully select the tube for each application. Tubing should be a fully annealed, seamless and drawn, suitable for bending and flaring, according to standard ASTM-269, ANSI 316 or 304.

Tube Handling

Scratches and other imperfections on the tubing may cause leaks. It is therefore important to handle the tube carefully to avoid scratches and other damage.

1. Do not drag tubing on the floor.
2. Do not drag tubing off of tubing racks.
3. Take extra care with large diameter tubing.

Quality

Lengths of finished tubing should be reasonably straight and have smooth ends, free from burrs. Tubing must be free from scale, scratches and other damage.

Tube Cutting

The tube can be cut using a tube cutter or a hacksaw:

Tube Cutter:

To attain a leak-free connection, the tubing must be cut squarely. A good quality tube cutter with the appropriate blade for the tubing material is recommended. Do not try to reduce the time of cutting by taking deep cuts with each turn of the cutter. The end of the tube must be deburred to avoid damage to the fitting and to ensure that the tube reaches the bottom of the fitting.

Hacksaw:

The tube must be cut with guide blocks in order to achieve square ends. This method also requires deburring the end of the tube.

Warning

Do not place tube ends in a vice or other apparatus that can deform the tubing or leave indentations, marks or scratches. This may cause leakage.

Ordering Information

Example	JMC		- 8T		- 04N		- 36L	
	1	2	3-1	3-2	4			

1. 37° Flared Tube Fitting

2. Type of Fitting - Refer to catalogue Index

3. Size of Fitting

3-1. Tube O.D

Fractional Tube	O.D (Inch)	1/8	3/16	1/4	5/16	3/8	1/2	5/8	3/4	7/8	1	1-1/4	1-1/2	2
	Designation	2T	3T	44	5T	6T	8T	10T	12T	14T	16T	20T	24T	32T
Metric Tube	O.D (mm)	2	3	6	8	10	12	16	18	22	25	32	38	50
	Designation	2MT	3MT	6MT	8MT	10MT	12MT	16MT	18MT	22MT	25MT	32MT	38MT	50MT

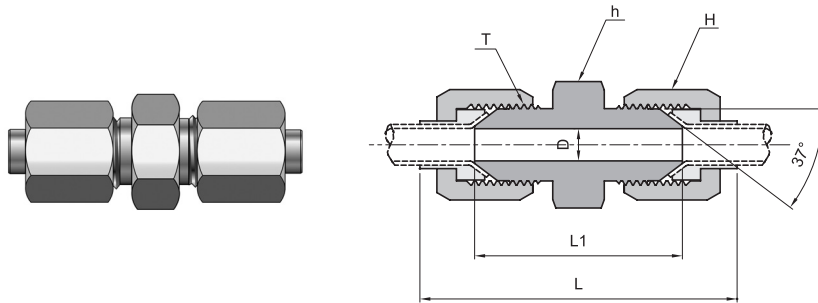
3-2. Pipe Thread/Tube Size

Size (inch)	1/8	1/4	3/8	1/2	3/4	1	1-1/4	1-1/2
ISO Tapered	01R	02R	03R	04R	06R	08R	10R	12R
NPT	01N	02N	03N	04N	06N	08N	10N	12N
ISO Parallel	01G	02G	03G	04G	06G	08G	10G	12G
Unified Screw	02U	04U	06U	08U	12U	16U	20U	24U

4. Material

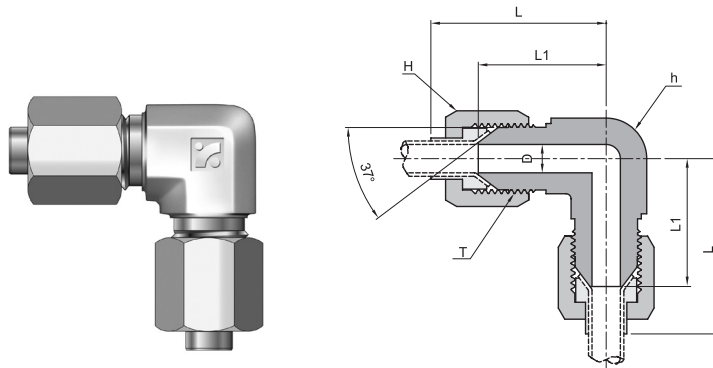
Material	316 Stainless Steel	316L Stainless Steel	Brass	Carbon Steel A105	Carbon Steel S45C
Identify	316	36L	B	15	S45C

JU Union



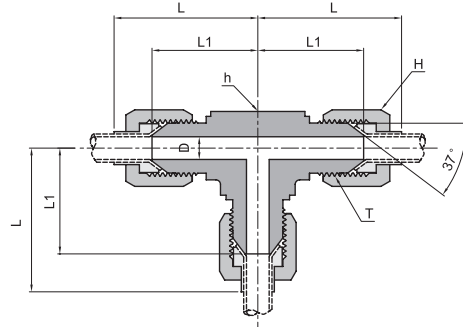
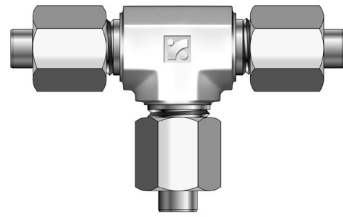
Part Number	Tube O.D.		T (UNF/UN)	D	h (HEX)	H (HEX)	L	L1
	Inch	Metric						
JU-2T	1/8	3	5/16 - 24	1.6	11.1	9.5	45.3	29.7
JU-3T	3/16	4	3/8 - 24	3.2	11.1	11.1	50.0	31.2
JU-4T	1/4	6	7/16 - 20	4.4	12.7	14.3	53.0	34.8
JU-5T	5/16	8	1/2 - 20	6.0	14.3	15.9	55.6	34.8
JU-6T	3/8	10	9/16 - 18	7.5	15.9	17.5	59.6	35.8
JU-8T	1/2	12	3/4 - 16	9.9	20.6	22.2	66.5	41.1
JU-10T	5/8	16	7/8 - 14	12.3	23.8	25.4	81.0	47.8
JU-12T	3/4	18	1 1/16 - 12	15.5	28.6	31.8	85.9	54.9
JU-14T	7/8	22	1 3/16 - 12	18.3	31.8	34.9	91.3	56.1
JU-16T	1	25	1 5/16 - 12	21.4	34.9	38.1	95.2	57.2
JU-20T	1 1/4	32	1 5/8 - 12	27.4	42.9	50.8	109.0	61.7
JU-24T	1 1/2	38	1 7/8 - 12	33.3	50.8	57.2	123.2	69.8
JU-32T	2	50	2 1/2 - 12	45.2	66.7	73.0	141.4	86.4

JUE Union Elbow



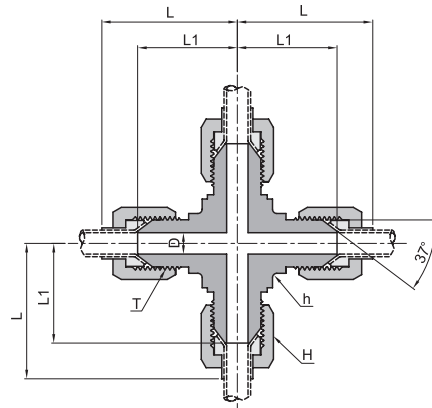
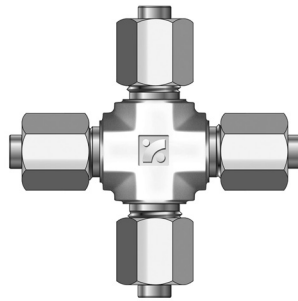
Part Number	Tube O.D.		T (UNF/UN)	D	h (HEX)	H (HEX)	L	L1
	Inch	Metric						
JUE-2T	1/8	3	5/16 - 24	1.6	11.1	9.5	27.4	19.6
JUE-3T	3/16	4	3/8 - 24	3.2	11.1	11.1	30.5	21.1
JUE-4T	1/4	6	7/16 - 20	4.4	11.1	14.3	31.7	22.6
JUE-5T	5/16	8	1/2 - 20	6.0	14.3	15.9	34.5	24.1
JUE-6T	3/8	10	9/16 - 18	7.5	14.3	17.5	38.8	26.9
JUE-8T	1/2	12	3/4 - 16	9.9	19.0	22.2	44.5	31.8
JUE-10T	5/8	16	7/8 - 14	12.3	22.2	25.4	53.4	36.8
JUE-12T	3/4	18	1 1/16 - 12	15.5	27.0	31.8	57.7	42.2
JUE-14T	7/8	22	1 3/16 - 12	18.3	33.3	34.9	63.3	45.7
JUE-16T	1	25	1 5/16 - 12	21.4	33.3	38.1	65.0	46.0
JUE-20T	1 1/4	32	1 5/8 - 12	27.4	41.3	50.8	70.8	52.3
JUE-24T	1 1/2	38	1 7/8 - 12	33.3	47.6	57.2	85.9	59.2
JUE-32T	2	50	2 1/2 - 12	45.2	63.5	73.0	105.2	77.7

JUT Union Tee



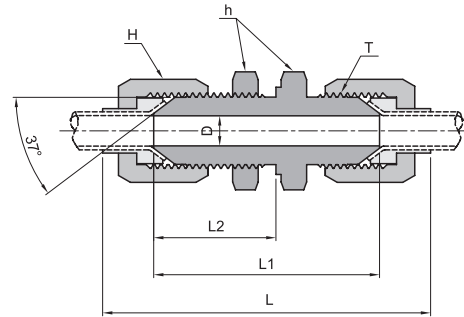
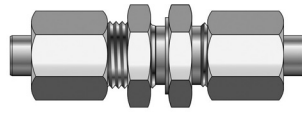
Part Number	Tube O.D.		T (UNF/UN)	D	h (HEX)	H (HEX)	L	L1
	Inch	Metric						
JUT-2T	1/8	3	5/16 - 24	1.6	11.1	9.5	27.4	19.6
JUT-3T	3/16	4	3/8 - 24	3.2	11.1	11.1	30.5	21.1
JUT-4T	1/4	6	7/16 - 20	4.4	11.1	14.3	31.7	22.6
JUT-5T	5/16	8	1/2 - 20	6.0	14.3	15.9	34.5	24.1
JUT-6T	3/8	10	9/16 - 18	7.5	14.3	17.5	38.8	26.9
JUT-8T	1/2	12	3/4 - 16	9.9	19.0	22.2	44.5	31.8
JUT-10T	5/8	16	7/8 - 14	12.3	22.2	25.4	53.4	36.8
JUT-12T	3/4	18	1 1/16 - 12	15.5	27.0	31.8	57.7	42.2
JUT-14T	7/8	22	1 3/16 - 12	18.3	33.3	34.9	63.3	45.7
JUT-16T	1	25	1 5/16 - 12	21.4	33.3	38.1	65.0	46.0
JUT-20T	1 1/4	32	1 5/8 - 12	27.4	41.3	50.8	70.8	52.3
JUT-24T	1 1/2	38	1 7/8 - 12	33.3	47.6	57.2	85.9	59.2
JUT-32T	2	50	2 1/2 - 12	45.2	63.5	73.0	105.2	77.7

JUC Union Cross



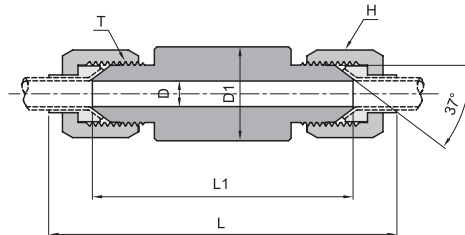
Part Number	Tube O.D.		T (UNF/UN)	D	h (HEX)	H (HEX)	L	L1
	Inch	Metric						
JUC-2T	1/8	3	5/16 - 24	1.6	11.1	9.5	27.4	19.6
JUC-3T	3/16	4	3/8 - 24	3.2	11.1	11.1	30.5	21.1
JUC-4T	1/4	6	7/16 - 20	4.4	11.1	14.3	31.7	22.6
JUC-5T	5/16	8	1/2 - 20	6.0	14.3	15.9	34.5	24.1
JUC-6T	3/8	10	9/16 - 18	7.5	14.3	17.5	38.8	26.9
JUC-8T	1/2	12	3/4 - 16	9.9	19.0	22.2	44.5	31.8
JUC-10T	5/8	16	7/8 - 14	12.3	22.2	25.4	53.4	36.8
JUC-12T	3/4	18	1 1/16 - 12	15.5	27.0	31.8	57.7	42.2
JUC-14T	7/8	22	1 3/16 - 12	18.3	33.3	34.9	63.3	45.7
JUC-16T	1	25	1 5/16 - 12	21.4	33.3	38.1	65.0	46.0
JUC-20T	1 1/4	32	1 5/8 - 12	27.4	41.3	50.8	70.8	52.3
JUC-24T	1 1/2	38	1 7/8 - 12	33.3	47.6	57.2	85.9	59.2
JUC-32T	2	50	2 1/2 - 12	45.2	63.5	73.0	105.2	77.7

JBHU Bulkhead Union



Part Number	Tube O.D.		T (UNF/UN)	D	h (HEX)	H (HEX)	L	L1	L2
	Inch	Metric							
JBHU-2T	1/8	3	5/16 - 24	1.6	14.3	9.5	63.1	47.5	28.2
JBHU-3T	3/16	4	3/8 - 24	3.2	15.9	11.1	67.1	48.3	28.2
JBHU-4T	1/4	6	7/16 - 20	4.4	17.5	14.3	70.8	52.6	30.5
JBHU-5T	5/16	8	1/2 - 20	6.0	19.1	15.9	73.4	52.6	30.5
JBHU-6T	3/8	10	9/16 - 18	7.5	20.6	17.5	79.2	55.4	32.5
JBHU-8T	1/2	12	3/4 - 16	9.9	25.4	22.2	87.4	62.0	36.6
JBHU-10T	5/8	16	7/8 - 14	12.3	28.6	25.4	102.8	69.6	40.1
JBHU-12T	3/4	18	1 1/16 - 12	15.5	34.9	31.8	109.5	78.5	44.4
JBHU-14T	7/8	22	1 3/16 - 12	18.3	38.1	34.9	114.4	79.2	44.4
JBHU-16T	1	25	1 5/16 - 12	21.4	41.3	38.1	117.8	79.8	44.4
JBHU-20T	1 1/4	32	1 5/8 - 12	27.4	47.6	50.8	121.1	84.1	45.7
JBHU-24T	1 1/2	38	1 7/8 - 12	33.3	54.0	57.2	142.8	89.4	46.0
JBHU-32T	2	50	2 1/2 - 12	45.2	69.9	73.0	161.7	106.7	53.1

JBUW Weld Bulkhead Union

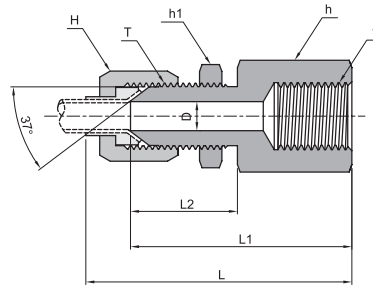
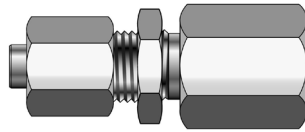


Part Number	Tube O.D.		T (UNF/UN)	D	D1	H (HEX)	L	L1
	Inch	Metric						
JBUW-2T	1/8	3	5/16 - 24	1.6	11.0	9.5	85.6	70.0
JBUW-3T	3/16	4	3/8 - 24	3.2	11.0	11.1	88.8	70.0
JBUW-4T	1/4	6	7/16 - 20	4.4	14.0	14.3	98.2	80.0
JBUW-5T	5/16	8	1/2 - 20	6.0	16.0	15.9	120.8	100.0
JBUW-6T	3/8	10	9/16 - 18	7.5	17.0	17.5	123.8	100.0
JBUW-8T	1/2	12	3/4 - 16	9.9	22.0	22.2	125.4	100.0
JBUW-10T	5/8	16	7/8 - 14	12.3	25.0	25.4	143.2	110.0
JBUW-12T	3/4	18	1 1/16 - 12	15.5	30.0	31.8	151.0	120.0
JBUW-14T	7/8	22	1 3/16 - 12	18.3	32.0	34.9	165.0	130.0
JBUW-16T	1	25	1 5/16 - 12	21.4	40.0	38.1	168.0	130.0
JBUW-20T	1 1/4	32	1 5/8 - 12	27.4	46.0	50.8	177.0	140.0
JBUW-24T	1 1/2	38	1 7/8 - 12	33.3	50.0	57.2	193.4	140.0
JBUW-32T	2	50	2 1/2 - 12	45.2	70.0	73.0	205.0	150.0

* All dimensions in millimeters unless specified as "inch". Dimension are for reference only, subject to change

JBFC

Bulkhead Female Connector

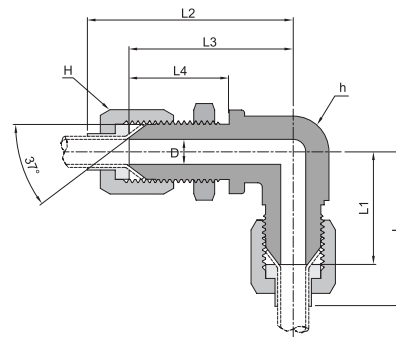
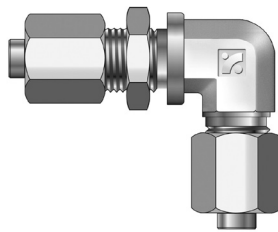


Part Number	Tube O.D.		T (UNF/UN)	*t (NPT)	D	h (HEX)	h1 (HEX)	H (HEX)	L	L1	L2
	Inch	Metric									
JBFC-2T-01N	1/8	3	5/16 - 24	1/8	1.6	14.3	14.3	9.5	49.0	41.2	28.2
JBFC-3T-01N	3/16	4	3/8 - 24	1/8	3.2	14.3	15.9	11.1	50.6	41.2	28.2
JBFC-4T-01N	1/4	6	7/16 - 20	1/8	4.4	14.3	17.5	14.3	52.6	43.5	30.5
JBFC-5T-01N	5/16	8	1/2 - 20	1/8	6.0	14.3	19.1	15.9	53.9	43.5	30.5
JBFC-6T-02N	3/8	10	9/16 - 18	1/4	7.5	19.1	20.6	17.5	62.5	50.5	32.5
JBFC-8T-03N	1/2	12	3/4 - 16	3/8	9.9	22.2	25.4	22.2	69.3	56.6	36.6
JBFC-10T-04N	5/8	16	7/8 - 14	1/2	12.3	28.6	28.6	25.4	82.7	66.1	40.1
JBFC-12T-06N	3/4	18	1 1/16 - 12	3/4	15.5	34.9	34.9	31.8	86.0	71.4	44.4
JBFC-14T-06N	7/8	22	1 3/16 - 12	3/4	18.3	34.9	38.1	34.9	89.0	71.4	44.4
JBFC-16T-08N	1	25	1 5/16 - 12	1	21.4	41.3	41.3	38.1	94.4	75.4	44.4
JBFC-20T-10N	1 1/4	32	1 5/8 - 12	1 1/4	27.4	50.8	47.6	50.8	99.2	80.7	45.7
JBFC-24T-12N	1 1/2	38	1 7/8 - 12	1 1/2	33.3	60.3	54.0	57.2	107.7	81.0	46.0
JBFC-32T-16N	2	50	2 1/2 - 12	2	45.2	73.0	69.9	73.0	120.6	93.1	53.1

*ISO Taper Threads are available upon request.

JBUE

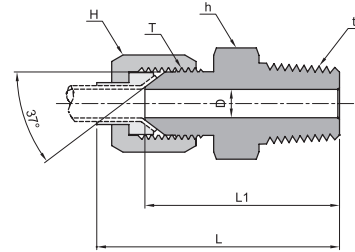
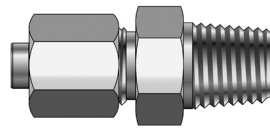
Bulkhead Union Elbow



Part Number	Tube O.D.		T (UNF/UN)	D	h (HEX)	H (HEX)	L	L1	L2	L3	L4
	Inch	Metric									
JBUE-2T	1/8	3	5/16 - 24	1.6	11.1	9.5	30.2	22.4	45.9	38.1	23.4
JBUE-3T	3/16	4	3/8 - 24	3.2	11.1	11.1	33.3	23.9	47.5	38.1	23.4
JBUE-4T	1/4	6	7/16 - 20	4.4	11.1	14.3	33.7	24.6	49.5	40.4	25.9
JBUE-5T	5/16	8	1/2 - 20	6.0	14.3	15.9	37.3	26.9	54.1	43.7	25.9
JBUE-6T	3/8	10	9/16 - 18	7.5	14.3	17.5	39.6	27.7	57.9	46.0	27.7
JBUE-8T	1/2	12	3/4 - 16	9.9	19.0	22.2	47.2	34.5	66.3	53.6	31.8
JBUE-10T	5/8	16	7/8 - 14	12.3	22.2	25.4	56.2	39.6	77.3	60.7	35.8
JBUE-12T	3/4	18	1 1/16 - 12	15.5	27.0	31.8	60.7	45.2	83.1	67.6	39.6
JBUE-14T	7/8	22	1 3/16 - 12	18.3	33.3	34.9	66.4	48.8	88.7	71.1	39.6
JBUE-16T	1	25	1 5/16 - 12	21.4	33.3	38.1	68.3	49.3	90.1	71.1	39.6
JBUE-20T	1 1/4	32	1 5/8 - 12	27.4	41.3	50.8	73.6	55.1	97.7	79.2	40.9
JBUE-24T	1 1/2	38	1 7/8 - 12	33.3	47.6	57.2	86.1	59.4	113.6	86.9	41.1
JBUE-32T	2	50	2 1/2 - 12	45.2	63.5	73.0	100.9	73.4	131.9	104.4	48.5

* All dimensions in millimeters unless specified as "inch". Dimension are for reference only, subject to change

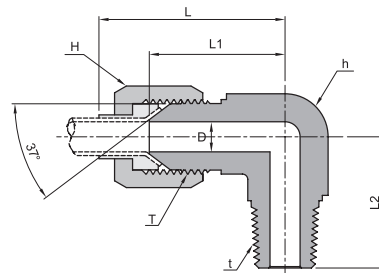
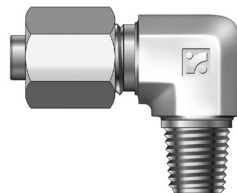
JMC Male Connector



Part Number	Tube O.D.		T (UNF/UN)	*t (NPT)	D	h (HEX)	H (HEX)	L	L1
	Inch	Metric							
JMC-2T-01N	1/8	3	5/16 - 24	1/8	1.6	11.1	9.5	36.0	28.2
JMC-3T-01N	3/16	4	3/8 - 24	1/8	3.2	11.1	11.1	38.4	29.0
JMC-4T-01N	1/4	6	7/16 - 20	1/8	4.4	12.7	14.3	40.1	31.0
JMC-5T-01N	5/16	8	1/2 - 20	1/8	6.0	14.3	15.9	41.4	31.0
JMC-6T-02N	3/8	10	9/16 - 18	1/4	7.5	15.9	17.5	48.2	36.3
JMC-8T-03N	1/2	12	3/4 - 16	3/8	9.9	20.6	22.2	51.6	38.9
JMC-10T-04N	5/8	16	7/8 - 14	1/2	12.3	23.8	25.4	64.6	48.0
JMC-12T-06N	3/4	18	1 1/16 - 12	3/4	15.5	28.6	31.8	67.8	52.3
JMC-14T-06N	7/8	22	1 3/16 - 12	3/4	18.3	31.8	34.9	70.7	53.1
JMC-16T-08N	1	25	1 5/16 - 12	1	21.4	34.9	38.1	77.4	58.4
JMC-20T-10N	1 1/4	32	1 5/8 - 12	1 1/4	27.4	42.9	50.8	80.7	62.2
JMC-24T-12N	1 1/2	38	1 7/8 - 12	1 1/2	33.3	50.8	57.2	94.8	67.8
JMC-32T-16N	2	50	2 1/2 - 12	2	45.2	66.7	73.0	106.5	79.0

*ISO Taper Threads are available upon request.

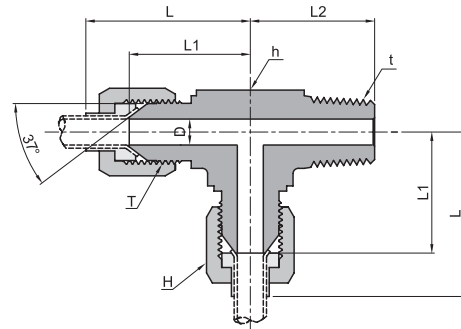
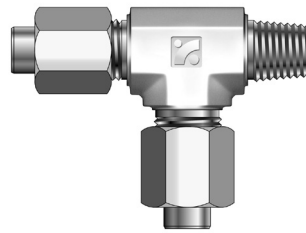
JME Male Elbow



Part Number	Tube O.D.		T (UNF/UN)	*t (NPT)	D	h (HEX)	H (HEX)	L	L1	L2
	Inch	Metric								
JME-2T-01N	1/8	3	5/16 - 24	1/8	1.6	11.1	9.5	27.4	19.6	18.3
JME-3T-01N	3/16	4	3/8 - 24	1/8	3.2	11.1	11.1	30.5	21.1	18.3
JME-4T-01N	1/4	6	7/16 - 20	1/8	4.4	11.1	14.3	31.7	22.6	19.8
JME-5T-01N	5/16	8	1/2 - 20	1/8	6.0	14.3	15.9	34.5	24.1	19.8
JME-6T-02N	3/8	10	9/16 - 18	1/4	7.5	14.3	17.5	38.8	26.9	27.7
JME-8T-03N	1/2	12	3/4 - 16	3/8	9.9	19.0	22.2	44.5	31.8	31.0
JME-10T-04N	5/8	16	7/8 - 14	1/2	12.3	22.2	25.4	53.4	36.8	37.3
JME-12T-06N	3/4	18	1 1/16 - 12	3/4	15.5	27.0	31.8	57.7	42.2	40.4
JME-14T-06N	7/8	22	1 3/16 - 12	3/4	18.3	33.3	34.9	63.3	45.7	42.9
JME-16T-08N	1	25	1 5/16 - 12	1	21.4	33.3	38.1	65.0	46.0	50.0
JME-20T-10N	1 1/4	32	1 5/8 - 12	1 1/4	27.4	41.3	50.8	70.8	52.3	60.5
JME-24T-12N	1 1/2	38	1 7/8 - 12	1 1/2	33.3	47.6	57.2	85.9	59.2	67.1
JME-32T-16N	2	50	2 1/2 - 12	2	45.2	63.5	73.0	105.2	77.7	76.2

*ISO Taper Threads are available upon request.

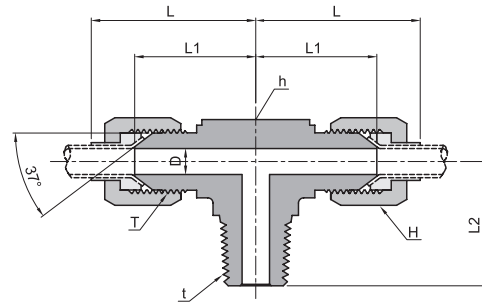
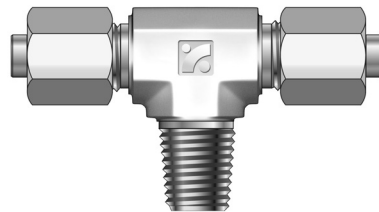
JMRT Male Run Tee



Part Number	Tube O.D.		T (UNF/UN)	*t (NPT)	D	h (HEX)	H (HEX)	L	L1	L2
	Inch	Metric								
JMRT-2T-01N	1/8	3	5/16 - 24	1/8	1.6	11.1	9.5	27.4	19.6	18.3
JMRT-3T-01N	3/16	4	3/8 - 24	1/8	3.2	11.1	11.1	30.5	21.1	18.3
JMRT-4T-01N	1/4	6	7/16 - 20	1/8	4.4	11.1	14.3	31.7	22.6	19.8
JMRT-5T-01N	5/16	8	1/2 - 20	1/8	6.0	14.3	15.9	34.5	24.1	19.8
JMRT-6T-02N	3/8	10	9/16 - 18	1/4	7.5	14.3	17.5	38.8	26.9	27.7
JMRT-8T-03N	1/2	12	3/4 - 16	3/8	9.9	19.0	22.2	44.5	31.8	31.0
JMRT-10T-04N	5/8	16	7/8 - 14	1/2	12.3	22.2	25.4	53.4	36.8	37.3
JMRT-12T-06N	3/4	18	1 1/16 - 12	3/4	15.5	27.0	31.8	57.7	42.2	40.4
JMRT-14T-06N	7/8	22	1 3/16 - 12	3/4	18.3	33.3	34.9	63.3	45.7	42.9
JMRT-16T-08N	1	25	1 5/16 - 12	1	21.4	33.3	38.1	65.0	46.0	50.0
JMRT-20T-10N	1 1/4	32	1 5/8 - 12	1 1/4	27.4	41.3	50.8	70.8	52.3	60.5
JMRT-24T-12N	1 1/2	38	1 7/8 - 12	1 1/2	33.3	47.6	57.2	85.9	59.2	67.1
JMRT-32T-16N	2	50	2 1/2 - 12	2	45.2	63.5	73.0	105.2	77.7	76.2

*ISO Taper Threads are available upon request.

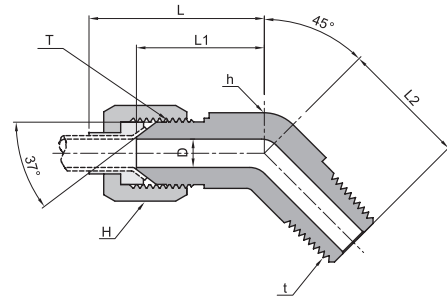
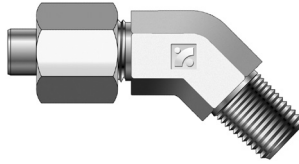
JMBT Male Branch Tee



Part Number	Tube O.D.		T (UNF/UN)	*t (NPT)	D	h (HEX)	H (HEX)	L	L1	L2
	Inch	Metric								
JMBT-2T-01N	1/8	3	5/16 - 24	1/8	1.6	11.1	9.5	27.4	19.6	18.3
JMBT-3T-01N	3/16	4	3/8 - 24	1/8	3.2	11.1	11.1	30.5	21.1	18.3
JMBT-4T-01N	1/4	6	7/16 - 20	1/8	4.4	11.1	14.3	31.7	22.6	19.8
JMBT-5T-01N	5/16	8	1/2 - 20	1/8	6.0	14.3	15.9	34.5	24.1	19.8
JMBT-6T-02N	3/8	10	9/16 - 18	1/4	7.5	14.3	17.5	38.8	26.9	27.7
JMBT-8T-03N	1/2	12	3/4 - 16	3/8	9.9	19.0	22.2	44.5	31.8	31.0
JMBT-10T-04N	5/8	16	7/8 - 14	1/2	12.3	22.2	25.4	53.4	36.8	37.3
JMBT-12T-06N	3/4	18	1 1/16 - 12	3/4	15.5	27.0	31.8	57.7	42.2	40.4
JMBT-14T-06N	7/8	22	1 3/16 - 12	3/4	18.3	33.3	34.9	63.3	45.7	42.9
JMBT-16T-08N	1	25	1 5/16 - 12	1	21.4	33.3	38.1	65.0	46.0	50.0
JMBT-20T-10N	1 1/4	32	1 5/8 - 12	1 1/4	27.4	41.3	50.8	70.8	52.3	60.5
JMBT-24T-12N	1 1/2	38	1 7/8 - 12	1 1/2	33.3	47.6	57.2	85.9	59.2	67.1
JMBT-32T-16N	2	50	2 1/2 - 12	2	45.2	63.5	73.0	105.2	77.7	76.2

*ISO Taper Threads are available upon request.

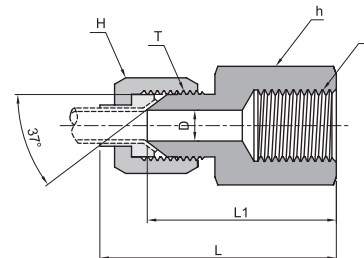
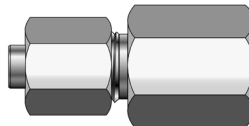
JHME 45° Male Elbow



Part Number	Tube O.D.		T (UNF/UN)	*t (NPT)	D	h (HEX)	H (HEX)	L	L1	L2
	Inch	Metric								
JHME-2T-01N	1/8	3	5/16 - 24	1/8	1.6	11.1	9.5	25.3	17.5	13.2
JHME-3T-01N	3/16	4	3/8 - 24	1/8	3.2	11.1	11.0	26.9	17.5	13.2
JHME-4T-01N	1/4	6	7/16 - 20	1/8	4.4	11.1	14.3	27.4	18.3	16.3
JHME-5T-01N	5/16	8	1/2 - 20	1/8	6.0	14.3	15.9	30.0	19.6	16.3
JHME-6T-02N	3/8	10	9/16 - 18	1/4	7.5	14.3	17.5	33.0	21.1	21.8
JHME-8T-03N	1/2	12	3/4 - 16	3/8	9.9	19.0	22.2	37.6	24.9	24.1
JHME-10T-04N	5/8	16	7/8 - 14	1/2	12.3	22.2	25.4	44.8	28.2	29.7
JHME-12T-06N	3/4	18	1 1/16 - 12	3/4	15.5	27.0	31.8	48.0	32.5	30.5
JHME-14T-06N	7/8	22	1 3/16 - 12	3/4	18.3	33.3	34.9	54.4	36.8	33.0
JHME-16T-08N	1	25	1 5/16 - 12	1	21.4	33.3	38.1	56.3	37.3	37.6
JHME-20T-10N	1 1/4	32	1 5/8 - 12	1 1/4	27.4	41.3	50.8	58.9	40.4	42.4
JHME-24T-12N	1 1/2	38	1 7/8 - 12	1 1/2	33.3	47.6	57.2	71.9	45.2	45.0
JHME-32T-16N	2	50	2 1/2 - 12	2	45.2	63.5	73.0	83.9	56.4	53.6

*ISO Taper Threads are available upon request.

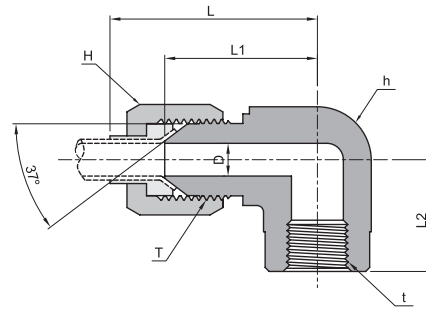
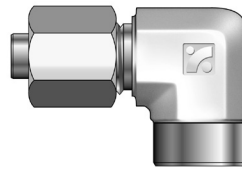
JFC Female Connector



Part Number	Tube O.D.		T (UNF/UN)	*t (NPT)	D	h (HEX)	H (HEX)	L	L1
	Inch	Metric							
JFC-2T-01N	1/8	3	5/16 - 24	1/8	1.6	14.3	9.5	36.2	28.4
JFC-3T-01N	3/16	4	3/8 - 24	1/8	3.2	14.3	11.1	38.1	28.7
JFC-4T-01N	1/4	6	7/16 - 20	1/8	4.4	14.3	14.3	39.3	30.2
JFC-5T-01N	5/16	8	1/2 - 20	1/8	6.0	14.3	15.9	40.1	29.7
JFC-6T-02N	3/8	10	9/16 - 18	1/4	7.5	19.1	17.5	47.5	35.6
JFC-8T-03N	1/2	12	3/4 - 16	3/8	9.9	22.2	22.2	52.3	39.6
JFC-10T-04N	5/8	16	7/8 - 14	1/2	12.3	28.6	25.4	64.6	48.0
JFC-12T-06N	3/4	18	1 1/16 - 12	3/4	15.5	34.9	31.8	67.8	52.3
JFC-14T-06N	7/8	22	1 3/16 - 12	3/4	18.3	34.9	34.9	69.9	52.3
JFC-16T-08N	1	25	1 5/16 - 12	1	21.4	41.3	38.1	78.7	59.7
JFC-20T-10N	1 1/4	32	1 5/8 - 12	1 1/4	27.4	50.8	50.8	81.7	63.2
JFC-24T-12N	1 1/2	38	1 7/8 - 12	1 1/2	33.3	60.3	57.2	93.2	66.5
JFC-32T-16N	2	50	2 1/2 - 12	2	45.2	73.0	73.0	102.9	75.4

*ISO Taper Threads are available upon request.

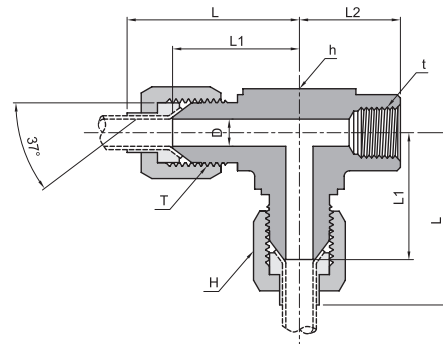
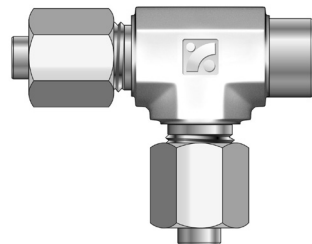
JFE Female Elbow



Part Number	Tube O.D.		T (UNF/UN)	*t (NPT)	D	h (HEX)	H (HEX)	L	L1	L2
	Inch	Metric								
JFE-2T-01N	1/8	3	5/16 - 24	1/8	1.6	14.3	9.5	33.2	25.4	16.8
JFE-3T-01N	3/16	4	3/8 - 24	1/8	3.2	14.3	11.1	35.6	26.2	16.8
JFE-4T-01N	1/4	6	7/16 - 20	1/8	4.4	14.3	14.3	36.5	27.4	16.8
JFE-5T-01N	5/16	8	1/2 - 20	1/8	6.0	14.3	15.9	37.8	27.4	16.8
JFE-6T-02N	3/8	10	9/16 - 18	1/4	7.5	19.0	17.5	43.1	31.2	22.4
JFE-8T-03N	1/2	12	3/4 - 16	3/8	9.9	22.2	22.2	48.8	36.1	25.9
JFE-10T-04N	5/8	16	7/8 - 14	1/2	12.3	27.0	25.4	58.3	41.7	31.2
JFE-12T-06N	3/4	18	1 1/16 - 12	3/4	15.5	33.3	31.8	63.5	48.0	34.5
JFE-14T-06N	7/8	22	1 3/16 - 12	3/4	18.3	33.3	34.9	64.8	47.2	36.1
JFE-16T-08N	1	25	1 5/16 - 12	1	21.4	41.3	38.1	74.1	55.1	41.1
JFE-20T-10N	1 1/4	32	1 5/8 - 12	1 1/4	27.4	47.6	50.8	77.7	59.2	43.2
JFE-24T-12N	1 1/2	38	1 7/8 - 12	1 1/2	33.3	65.1	57.2	100.1	73.4	52.8
JFE-32T-16N	2	50	2 1/2 - 12	2	45.2	71.4	73.0	111.3	83.8	60.7

*ISO Taper Threads are available upon request.

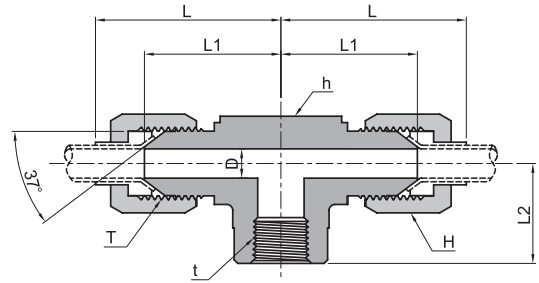
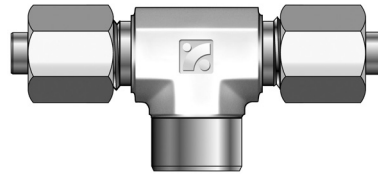
JFRT Female Run Tee



Part Number	Tube O.D.		T (UNF/UN)	*t (NPT)	D	h (HEX)	H (HEX)	L	L1	L2
	Inch	Metric								
JFRT-2T-01N	1/8	3	5/16 - 24	1/8	1.6	14.3	9.5	33.2	25.4	16.8
JFRT-3T-01N	3/16	4	3/8 - 24	1/8	3.2	14.3	11.1	35.6	26.2	16.8
JFRT-4T-01N	1/4	6	7/16 - 20	1/8	4.4	14.3	14.3	36.5	27.4	16.8
JFRT-5T-01N	5/16	8	1/2 - 20	1/8	6.0	14.3	15.9	37.8	27.4	16.8
JFRT-6T-02N	3/8	10	9/16 - 18	1/4	7.5	19.0	17.5	43.1	31.2	22.4
JFRT-8T-03N	1/2	12	3/4 - 16	3/8	9.9	22.2	22.2	48.8	36.1	25.9
JFRT-10T-04N	5/8	16	7/8 - 14	1/2	12.3	27.0	25.4	58.3	41.7	31.2
JFRT-12T-06N	3/4	18	1 1/16 - 12	3/4	15.5	33.3	31.8	63.5	48.0	34.5
JFRT-14T-06N	7/8	22	1 3/16 - 12	3/4	18.3	33.3	34.9	64.8	47.2	36.1
JFRT-16T-08N	1	25	1 5/16 - 12	1	21.4	41.3	38.1	74.1	55.1	41.1
JFRT-20T-10N	1 1/4	32	1 5/8 - 12	1 1/4	27.4	47.6	50.8	77.7	59.2	43.2
JFRT-24T-12N	1 1/2	38	1 7/8 - 12	1 1/2	33.3	65.1	57.2	100.1	73.4	52.8
JFRT-32T-16N	2	50	2 1/2 - 12	2	45.2	71.4	73.0	111.3	83.8	60.7

*ISO Taper Threads are available upon request.

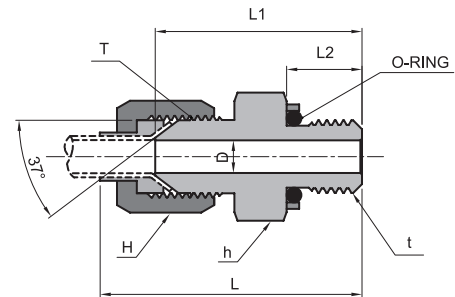
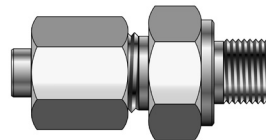
JFBT Female Branch Tee



Part Number	Tube O.D.		T (UNF/UN)	*t (NPT)	D	h (HEX)	H (HEX)	L	L1	L2
	Inch	Metric								
JFBT-2T-01N	1/8	3	5/16 - 24	1/8	1.6	14.3	9.5	33.2	25.4	16.8
JFBT-3T-01N	3/16	4	3/8 - 24	1/8	3.2	14.3	11.1	35.6	26.2	16.8
JFBT-4T-01N	1/4	6	7/16 - 20	1/8	4.4	14.3	14.3	36.5	27.4	16.8
JFBT-5T-01N	5/16	8	1/2 - 20	1/8	6.0	14.3	15.9	37.8	27.4	16.8
JFBT-6T-02N	3/8	10	9/16 - 18	1/4	7.5	19.0	17.5	43.1	31.2	22.4
JFBT-8T-03N	1/2	12	3/4 - 16	3/8	9.9	22.2	22.2	48.8	36.1	25.9
JFBT-10T-04N	5/8	16	7/8 - 14	1/2	12.3	27.0	25.4	58.3	41.7	31.2
JFBT-12T-06N	3/4	18	1 1/16 - 12	3/4	15.5	33.3	31.8	63.5	48.0	34.5
JFBT-14T-06N	7/8	22	1 3/16 - 12	3/4	18.3	33.3	34.9	64.8	47.2	36.1
JFBT-16T-08N	1	25	1 5/16 - 12	1	21.4	41.3	38.1	74.1	55.1	41.1
JFBT-20T-10N	1 1/4	32	1 5/8 - 12	1 1/4	27.4	47.6	50.8	77.7	59.2	43.2
JFBT-24T-12N	1 1/2	38	1 7/8 - 12	1 1/2	33.3	65.1	57.2	100.1	73.4	52.8
JFBT-32T-16N	2	50	2 1/2 - 12	2	45.2	71.4	73.0	111.3	83.8	60.7

*ISO Taper Threads are available upon request.

JMC-GO O-Ring Seal Male Connector(PF)

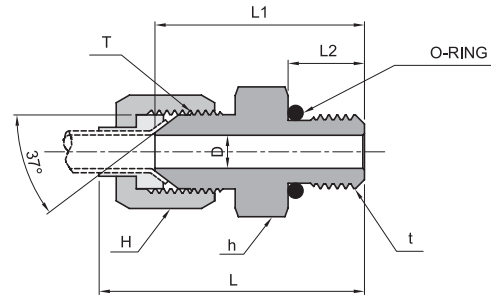
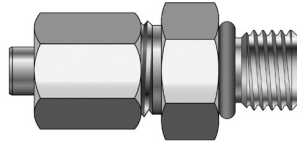


Part Number	Tube O.D.		T (UNF/UN)	t (PF)	D	h (HEX)	H (HEX)	L	L1	L2
	Inch	Metric								
JMC-2T-01GO	1/8	3	5/16 - 24	1/8	1.6	11.1	9.5	35.3	27.5	8.0
JMC-3T-01GO	3/16	4	3/8 - 24	1/8	3.2	12.7	11.1	37.9	28.5	8.0
JMC-4T-01GO	1/4	6	7/16 - 20	1/8	4.4	14.2	14.3	39.3	30.2	8.0
JMC-5T-01GO	5/16	8	1/2 - 20	1/8	6.0	15.8	15.9	40.6	30.2	8.0
JMC-6T-02GO	3/8	10	9/16 - 18	1/4	7.5	17.4	17.5	46.9	35.0	12.0
JMC-8T-03GO	1/2	12	3/4 - 16	3/8	9.9	22.2	22.2	51.4	38.7	12.0
JMC-10T-04GO	5/8	16	7/8 - 14	1/2	12.3	25.4	25.4	61.1	44.5	14.0
JMC-12T-06GO	3/4	18	1 1/16 - 12	3/4	15.5	31.7	31.8	66.4	50.9	16.0
JMC-14T-06GO	7/8	22	1 3/16 - 12	3/4	18.3	34.9	34.9	69.0	51.4	16.0
JMC-16T-08GO	1	25	1 5/16 - 12	1	21.4	38.0	38.1	71.7	52.7	18.0
JMC-20T-10GO	1 1/4	32	1 5/8 - 12	1 1/4	27.4	42.8	50.8	78.5	60.0	20.0
JMC-24T-12GO	1 1/2	38	1 7/8 - 12	1 1/2	33.3	55.0	57.2	92.8	66.1	21.0
JMC-32T-16GO	2	50	2 1/2 - 12	2	45.2	70.0	73.0	108.0	80.5	25.0

* All dimensions in millimeters unless specified as "inch". Dimension are for reference only, subject to change

JMC-U

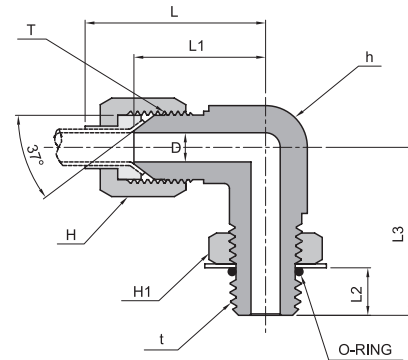
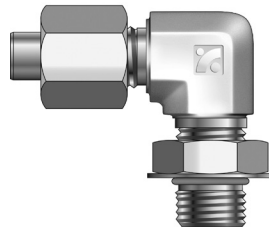
O-Ring Seal Male Connector (UNF/UN)



Part Number	Tube O.D.		T (UNF/UN)	t (UNF/UN)	D	h (HEX)	H (HEX)	L	L1	L2
	Inch	Metric								
JMC-2T-02U	1/8	3	5/16 - 24	5/16 - 24	1.6	11.1	9.5	34.7	26.9	7.5
JMC-3T-03U	3/16	4	3/8 - 24	3/8 - 24	3.2	12.7	11.1	37.3	27.9	7.5
JMC-4T-04U	1/4	6	7/16 - 20	7/16 - 20	4.4	14.2	14.3	40.3	31.2	9.1
JMC-5T-05U	5/16	8	1/2 - 20	1/2 - 20	6.0	15.8	15.9	41.6	31.2	9.1
JMC-6T-06U	3/8	10	9/16 - 18	9/16 - 18	7.5	17.4	17.5	44.9	33.0	9.9
JMC-8T-08U	1/2	12	3/4 - 16	3/4 - 16	9.9	22.2	22.2	50.3	37.6	11.1
JMC-10T-10U	5/8	16	7/8 - 14	7/8 - 14	12.3	25.4	25.4	59.8	43.2	12.7
JMC-12T-12U	3/4	18	1 1/16 - 12	1 1/16 - 12	15.5	31.7	31.8	65.5	50.0	15.1
JMC-14T-14U	7/8	22	1 3/16 - 12	1 3/16 - 12	18.3	34.9	34.9	68.1	50.5	15.1
JMC-16T-16U	1	25	1 5/16 - 12	1 5/16 - 12	21.4	38.1	38.1	70.8	51.8	15.1
JMC-20T-20U	1 1/4	32	1 5/8 - 12	1 5/8 - 12	27.4	47.6	50.8	73.6	55.1	15.1
JMC-24T-24U	1 1/2	38	1 7/8 - 12	1 7/8 - 12	33.3	53.9	57.2	86.9	60.2	15.1
JMC-32T-32U	2	50	2 1/2 - 12	2 1/2 - 12	45.2	69.8	73.0	98.1	70.6	15.1

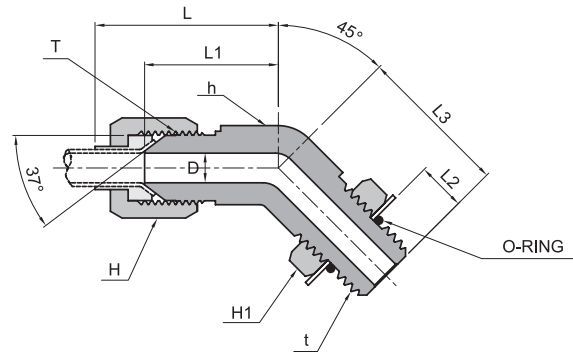
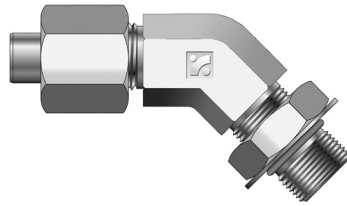
JPME-U

Positionable Male Elbow



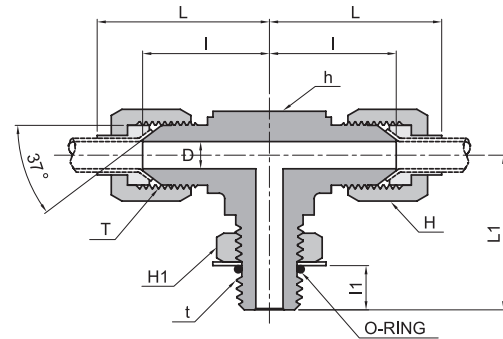
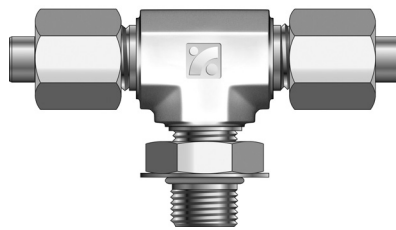
Part Number	Tube O.D.		T (UNF/UN)	t (UNF/UN)	D	h (HEX)	H (HEX)	H1 (HEX)	L	L1	L2	L3
	Inch	Metric										
JPME-2T-02U	1/8	3	5/16 - 24	5/16 - 24	1.6	11.1	9.5	11.1	27.4	19.6	8.4	23.9
JPME-3T-03U	3/16	4	3/8 - 24	3/8 - 24	3.2	11.1	11.1	12.7	30.5	21.1	8.4	23.9
JPME-4T-04U	1/4	6	7/16 - 20	7/16 - 20	4.4	11.1	14.3	14.3	31.7	22.6	9.8	26.2
JPME-5T-05U	5/16	8	1/2 - 20	1/2 - 20	6.0	14.3	15.9	15.9	34.5	24.1	9.8	28.7
JPME-6T-06U	3/8	10	9/16 - 18	9/16 - 18	7.5	14.3	17.5	17.5	38.8	26.9	9.9	31.8
JPME-8T-08U	1/2	12	3/4 - 16	3/4 - 16	9.9	19.0	22.2	22.2	44.5	31.8	11.0	36.8
JPME-10T-10U	5/8	16	7/8 - 14	7/8 - 14	12.3	22.2	25.4	25.4	53.4	36.8	12.5	43.2
JPME-12T-12U	3/4	18	1 1/16 - 12	1 1/16 - 12	15.5	27.0	31.8	31.8	57.7	42.2	16.5	49.3
JPME-14T-14U	7/8	22	1 3/16 - 12	1 3/16 - 12	18.3	33.3	34.9	34.9	63.3	45.7	16.5	50.8
JPME-16T-16U	1	25	1 5/16 - 12	1 5/16 - 12	21.4	33.3	38.1	38.1	65.0	46.0	16.5	52.1
JPME-20T-20U	1 1/4	32	1 5/8 - 12	1 5/8 - 12	27.4	41.3	50.8	47.6	70.8	52.3	16.5	57.2
JPME-24T-24U	1 1/2	38	1 7/8 - 12	1 7/8 - 12	33.3	47.6	57.2	53.9	85.9	59.2	16.5	60.7
JPME-32T-32U	2	50	2 1/2 - 12	2 1/2 - 12	45.2	63.5	73.0	69.8	105.2	77.7	16.5	73.4

JPHME-U
Positionable
45° Male Elbow



Part Number	Tube O.D.		T (UNF/UN)	t (UNF/UN)	D	h (HEX)	H (HEX)	H1 (HEX)	L	L1	L2	L3
	Inch	Metric										
JPHME-2T-02U	1/8	3	5/16 - 24	5/16 - 24	1.6	11.1	9.5	11.1	25.3	17.5	8.4	23.9
JPHME-3T-03U	3/16	4	3/8 - 24	3/8 - 24	3.2	11.1	11.1	12.7	26.9	17.5	8.4	23.9
JPHME-4T-04U	1/4	6	7/16 - 20	7/16 - 20	4.4	11.1	14.3	14.3	27.4	18.3	9.8	23.9
JPHME-5T-05U	5/16	8	1/2 - 20	1/2 - 20	6.0	14.3	15.9	15.9	30.3	19.6	9.8	25.4
JPHME-6T-06U	3/8	10	9/16 - 18	9/16 - 18	7.5	14.3	17.5	17.5	33.0	21.1	9.9	28.4
JPHME-8T-08U	1/2	12	3/4 - 16	3/4 - 16	9.9	19.0	22.2	22.2	37.6	24.9	11.0	32.5
JPHME-10T-10U	5/8	16	7/8 - 14	7/8 - 14	12.3	22.2	25.4	25.4	44.8	28.2	12.5	36.6
JPHME-12T-12U	3/4	18	1 1/16 - 12	1 1/16 - 12	15.5	27.0	31.8	31.8	48.0	32.5	16.5	43.9
JPHME-14T-14U	7/8	22	1 3/16 - 12	1 3/16 - 12	18.3	33.3	34.9	34.9	54.4	36.8	16.5	45.7
JPHME-16T-16U	1	25	1 5/16 - 12	1 5/16 - 12	21.4	33.3	38.1	38.1	56.3	37.3	16.5	47.2
JPHME-20T-20U	1 1/4	32	1 5/8 - 12	1 5/8 - 12	27.4	41.3	50.8	47.6	58.9	40.4	16.5	48.5
JPHME-24T-24U	1 1/2	38	1 7/8 - 12	1 7/8 - 12	33.3	47.6	57.2	53.9	71.9	45.2	16.5	48.5
JPHME-32T-32U	2	50	2 1/2 - 12	2 1/2 - 12	45.2	63.5	73.0	69.8	83.9	56.4	16.5	47.2

JPMBT-U
Positionable
Male Branch Tee

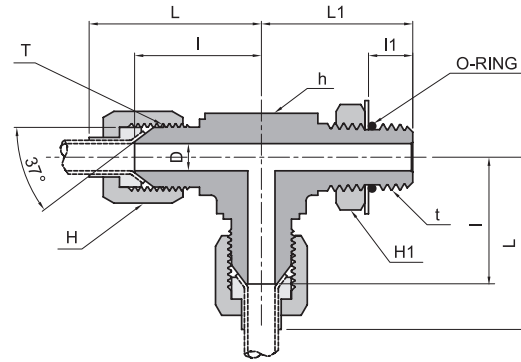
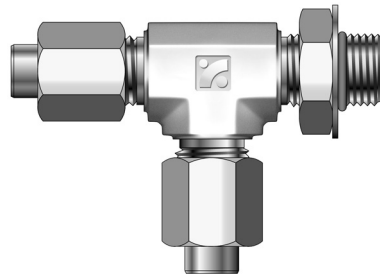


Part Number	Tube O.D.		T (UNF/UN)	t (UNF/UN)	D	h (HEX)	H (HEX)	H1 (HEX)	L	L1	I	I1
	Inch	Metric										
JPMBT-2T-02U	1/8	3	5/16 - 24	5/16 - 24	1.6	11.1	9.5	11.1	27.4	23.9	19.6	8.4
JPMBT-3T-03U	3/16	4	3/8 - 24	3/8 - 24	3.2	11.1	11.1	12.7	30.5	23.9	21.1	8.4
JPMBT-4T-04U	1/4	6	7/16 - 20	7/16 - 20	4.4	11.1	14.3	14.3	31.7	26.2	22.6	9.8
JPMBT-5T-05U	5/16	8	1/2 - 20	1/2 - 20	6.0	14.3	15.9	15.9	34.5	28.7	24.1	9.8
JPMBT-6T-06U	3/8	10	9/16 - 18	9/16 - 18	7.5	14.3	17.5	17.5	38.8	31.8	26.9	9.9
JPMBT-8T-08U	1/2	12	3/4 - 16	3/4 - 16	9.9	19.0	22.2	22.2	44.5	36.8	31.8	11.0
JPMBT-10T-10U	5/8	16	7/8 - 14	7/8 - 14	12.3	22.2	25.4	25.4	53.4	43.2	36.8	12.5
JPMBT-12T-12U	3/4	18	1 1/16 - 12	1 1/16 - 12	15.5	27.0	31.8	31.8	57.7	49.3	42.2	16.5
JPMBT-14T-14U	7/8	22	1 3/16 - 12	1 3/16 - 12	18.3	33.3	35.0	34.9	63.3	50.8	45.7	16.5
JPMBT-16T-16U	1	25	1 5/16 - 12	1 5/16 - 12	21.4	33.3	38.0	38.1	65.0	52.1	46.0	16.5
JPMBT-20T-20U	1 1/4	32	1 5/8 - 12	1 5/8 - 12	37.5	41.3	50.8	47.6	70.8	57.2	52.3	16.5
JPMBT-24T-24U	1 1/2	38	1 7/8 - 12	1 7/8 - 12	33.3	47.6	57.2	53.9	85.9	60.7	59.2	16.5
JPMBT-32T-32U	2	50	2 1/2 - 12	2 1/2 - 12	45.2	63.5	73.0	69.8	105.2	73.4	77.7	16.5

* All dimensions in millimeters unless specified as "inch". Dimension are for reference only, subject to change

JPMRT-U

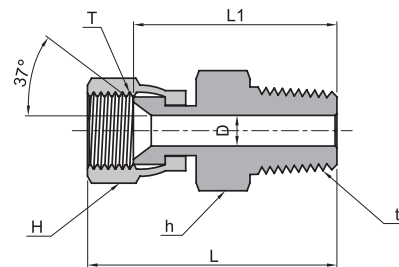
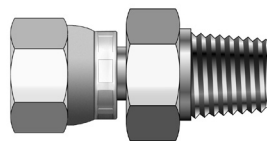
Positionable
Male Run Tee



Part Number	Tube O.D.		T (UNF/UN)	t (UNF/UN)	D	h (HEX)	H (HEX)	H1 (HEX)	L	L1	I	I1
	Inch	Metric										
JPMRT-2T-02U	1/8	3	5/16 - 24	5/16 - 24	1.6	11.1	9.5	11.1	27.4	23.9	19.6	8.4
JPMRT-3T-03U	3/16	4	3/8 - 24	3/8 - 24	3.2	11.1	11.1	12.7	30.5	23.9	21.1	8.4
JPMRT-4T-04U	1/4	6	7/16 - 20	7/16 - 20	4.4	11.1	14.3	14.3	31.7	26.2	22.6	9.8
JPMRT-5T-05U	5/16	8	1/2 - 20	1/2 - 20	6.0	14.3	15.9	15.9	34.5	28.7	24.1	9.8
JPMRT-6T-06U	3/8	10	9/16 - 18	9/16 - 18	7.5	14.3	17.5	17.5	38.8	31.8	26.9	9.9
JPMRT-8T-08U	1/2	12	3/4 - 16	3/4 - 16	9.9	19.0	22.2	22.2	44.5	36.8	31.8	11.0
JPMRT-10T-10U	5/8	16	7/8 - 14	7/8 - 14	12.3	22.2	25.4	25.4	53.4	43.2	36.8	12.5
JPMRT-12T-12U	3/4	18	1 1/16 - 12	1 1/16 - 12	15.5	27.0	31.8	31.8	57.7	49.3	42.2	16.5
JPMRT-14T-14U	7/8	22	1 3/16 - 12	1 3/16 - 12	18.3	33.3	34.9	34.9	63.3	50.8	45.7	16.5
JPMRT-16T-16U	1	25	1 5/16 - 12	1 5/16 - 12	21.4	33.3	38.1	38.1	65.0	52.1	46.0	16.5
JPMRT-20T-20U	1 1/4	32	1 5/8 - 12	1 5/8 - 12	27.4	41.3	50.8	47.6	70.8	57.2	52.3	16.5
JPMRT-24T-24U	1 1/2	38	1 7/8 - 12	1 7/8 - 12	33.3	47.6	57.2	53.9	85.9	60.7	59.2	16.5
JPMRT-32T-32U	2	50	2 1/2 - 12	2 1/2 - 12	45.2	63.5	73.0	69.8	105.2	73.4	77.7	16.5

JMSC

Male Swivel Connector



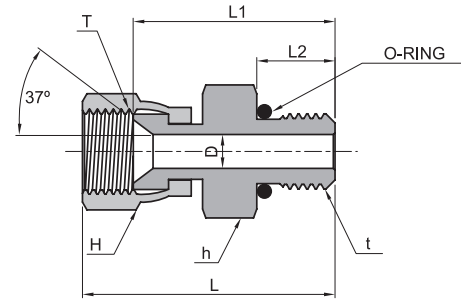
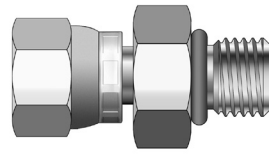
Part Number	Tube O.D.		T (UNF/UN)	*t (NPT)	D	h (HEX)	H (HEX)	L	L1
	Inch	Metric							
JMSC-2T-01N	1/8	3	5/16 - 24	1/8	1.6	11.1	11.1	30.0	22.0
JMSC-3T-01N	3/16	4	3/8 - 24	1/8	3.2	11.1	12.7	32.0	23.5
JMSC-4T-01N	1/4	6	7/16 - 20	1/8	4.4	12.7	14.3	34.2	25.5
JMSC-5T-01N	5/16	8	1/2 - 20	1/8	6.0	14.2	15.9	35.0	25.5
JMSC-6T-02N	3/8	10	9/16 - 18	1/4	7.5	16.0	17.5	40.2	30.7
JMSC-8T-03N	1/2	12	3/4 - 16	3/8	9.9	21.0	22.2	42.7	32.0
JMSC-10T-04N	5/8	16	7/8 - 14	1/2	12.3	23.8	25.4	51.3	38.6
JMSC-12T-06N	3/4	18	1 1/16 - 12	3/4	15.5	29.0	31.8	54.5	40.2
JMSC-14T-06N	7/8	22	1 3/16 - 12	3/4	18.3	32.0	34.9	56.0	41.2
JMSC-16T-08N	1	25	1 5/16 - 12	1	21.4	36.0	38.1	63.7	48.6
JMSC-20T-10N	1 1/4	32	1 5/8 - 12	1 1/4	27.4	46.0	50.8	68.9	53.0
JMSC-24T-12N	1 1/2	38	1 7/8 - 12	1 1/2	33.3	50.0	57.2	77.6	59.0
JMSC-32T-16N	2	50	2 1/2 - 12	2	45.2	66.7	73.0	92.9	69.1

*ISO Taper Threads are available upon request.

* All dimensions in millimeters unless specified as "inch". Dimension are for reference only, subject to change

JMSC-U

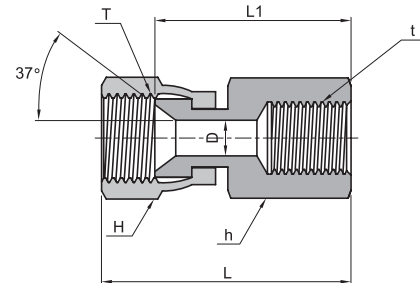
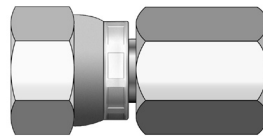
O-Ring Seal Male Swivel Connector



Part Number	Tube O.D.		T (UNF/UN)	t (UNF/UN)	D	h (HEX)	H (HEX)	L	L1	L2
	Inch	Metric								
JMSC-2T-02U	1/8	3	5/16 - 24	5/16 - 24	1.6	11.1	11.1	30.4	22.5	7.5
JMSC-3T-03U	3/16	4	3/8 - 24	3/8 - 24	3.2	12.7	12.7	31.0	22.7	7.5
JMSC-4T-04U	1/4	6	7/16 - 20	7/16 - 20	4.4	14.2	14.3	33.9	25.2	9.1
JMSC-5T-05U	5/16	8	1/2 - 20	1/2 - 20	6.0	15.8	15.9	35.7	26.2	9.1
JMSC-6T-06U	3/8	10	9/16 - 18	9/16 - 18	7.5	17.4	17.5	37.4	27.9	9.9
JMSC-8T-08U	1/2	12	3/4 - 16	3/4 - 16	9.9	22.2	22.2	41.6	30.9	11.1
JMSC-10T-10U	5/8	16	7/8 - 14	7/8 - 14	12.3	25.4	25.4	47.6	34.9	12.7
JMSC-12T-12U	3/4	18	1 1/16 - 12	1 1/16 - 12	15.5	31.8	31.8	54.4	40.1	15.1
JMSC-14T-14U	7/8	22	1 3/16 - 12	1 3/16 - 12	18.3	34.9	34.9	55.6	40.9	15.1
JMSC-16T-16U	1	25	1 5/16 - 12	1 5/16 - 12	21.4	38.1	38.1	56.8	41.7	15.1
JMSC-20T-20U	1 1/4	32	1 5/8 - 12	1 5/8 - 12	27.4	47.6	50.8	63.2	47.3	15.1
JMSC-24T-24U	1 1/2	38	1 7/8 - 12	1 7/8 - 12	33.3	54.0	57.2	71.3	52.7	15.1
JMSC-32T-32U	2	50	2 1/2 - 12	2 1/2 - 12	45.2	70.0	73.0	72.5	58.7	15.1

JFSC

Female Swivel Connector

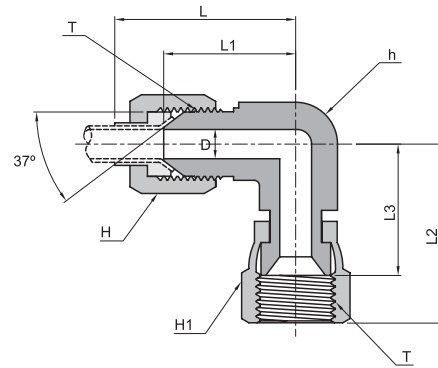
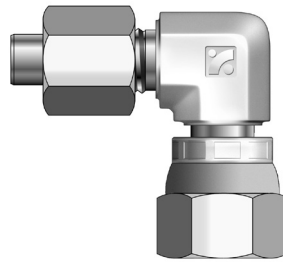


Part Number	Tube O.D.		T (UNF/UN)	*t (NPT)	D	h (HEX)	H (HEX)	L	L1
	Inch	Metric							
JFSC-2T-01N	1/8	3	5/16 - 24	1/8	1.6	14.3	11.1	36.1	28.2
JFSC-3T-01N	3/16	4	3/8 - 24	1/8	3.2	14.3	12.7	37.3	29.0
JFSC-4T-01N	1/4	6	7/16 - 20	1/8	4.4	14.3	14.3	39.7	31.0
JFSC-5T-01N	5/16	8	1/2 - 20	1/8	6.0	14.3	15.9	40.5	31.0
JFSC-6T-02N	3/8	10	9/16 - 18	1/4	7.5	19.1	17.5	45.8	36.3
JFSC-8T-03N	1/2	12	3/4 - 16	3/8	9.9	22.2	22.2	47.0	38.9
JFSC-10T-04N	5/8	16	7/8 - 14	1/2	12.3	28.6	25.4	51.6	48.0
JFSC-12T-06N	3/4	18	1 1/16 - 12	3/4	15.5	34.9	31.8	66.6	52.3
JFSC-14T-06N	7/8	22	1 3/16 - 12	3/4	18.3	34.9	34.9	67.8	53.1
JFSC-16T-08N	1	25	1 5/16 - 12	1	21.4	41.3	38.1	73.5	58.4
JFSC-20T-10N	1 1/4	32	1 5/8 - 12	1 1/4	27.4	50.8	50.8	78.1	62.2
JFSC-24T-12N	1 1/2	38	1 7/8 - 12	1 1/2	33.3	60.3	57.2	86.7	68.1
JFSC-32T-16N	2	50	2 1/2 - 12	2	45.2	73.0	73.0	89.3	65.5

*ISO Taper Threads are available upon request.

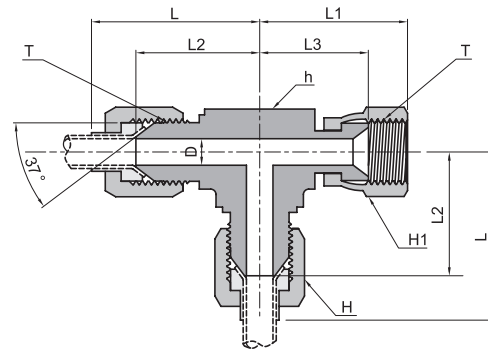
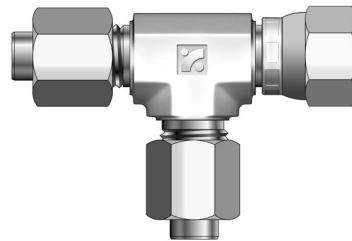
* All dimensions in millimeters unless specified as "inch". Dimension are for reference only, subject to change

JSE Swivel Elbow



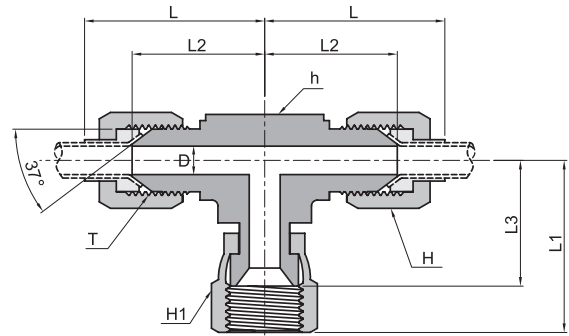
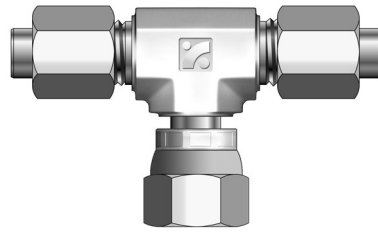
Part Number	Tube O.D.		T (UNF/UN)	D	h (HEX)	H (HEX)	H1 (HEX)	L	L1	L2	L3
	Inch	Metric									
JSE-2T	1/8	3	5/16 - 24	1.6	11.1	9.5	11.1	27.4	19.6	24.6	16.7
JSE-3T	3/16	4	3/8 - 24	3.2	11.1	11.1	12.7	30.5	21.1	25.4	17.1
JSE-4T	1/4	6	7/16 - 20	4.4	11.1	14.3	14.3	31.7	22.6	25.4	16.7
JSE-5T	5/16	8	1/2 - 20	6.0	14.3	15.9	15.9	34.5	24.1	26.9	17.4
JSE-6T	3/8	10	9/16 - 18	7.5	14.3	17.5	17.5	38.8	26.9	31.8	22.3
JSE-8T	1/2	12	3/4 - 16	9.9	19.0	22.2	22.2	44.5	31.8	35.1	24.4
JSE-10T	5/8	16	7/8 - 14	12.3	22.2	25.4	25.4	53.4	36.8	41.1	28.4
JSE-12T	3/4	18	1 1/16 - 12	15.5	27.0	31.8	31.8	57.7	42.2	44.4	30.1
JSE-14T	7/8	22	1 3/16 - 12	18.3	33.3	34.9	34.9	63.3	45.7	45.2	30.5
JSE-16T	1	25	1 5/16 - 12	21.4	33.3	38.1	38.1	65.0	46.0	50.8	35.7
JSE-20T	1 1/4	32	1 5/8 - 12	27.4	41.3	50.8	50.8	70.8	52.3	58.7	42.8
JSE-24T	1 1/2	38	1 7/8 - 12	33.3	47.6	57.2	57.2	85.9	59.2	65.8	47.2
JSE-32T	2	50	2 1/2 - 12	45.2	63.5	73.0	73.0	105.2	77.7	85.9	62.1

JSRT Swivel Run Tee



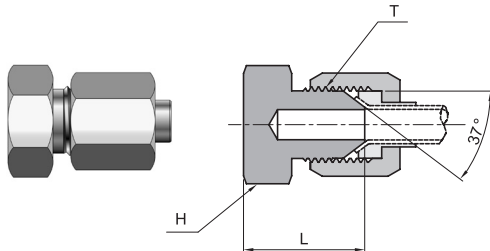
Part Number	Tube O.D.		T (UNF/UN)	D	h (HEX)	H (HEX)	H1 (HEX)	L	L1	L2	L3
	Inch	Metric									
JSRT-2T	1/8	3	5/16 - 24	1.6	11.1	9.5	11.1	27.4	24.6	19.6	16.7
JSRT-3T	3/16	4	3/8 - 24	3.2	11.1	11.1	12.7	30.5	25.4	21.1	17.1
JSRT-4T	1/4	6	7/16 - 20	4.4	11.1	14.3	14.3	31.7	25.4	22.6	16.7
JSRT-5T	5/16	8	1/2 - 20	6.0	14.3	15.9	15.9	34.5	26.9	24.1	17.4
JSRT-6T	3/8	10	9/16 - 18	7.5	14.3	17.5	17.5	38.8	31.8	26.9	22.3
JSRT-8T	1/2	12	3/4 - 16	9.9	19.0	22.2	22.2	44.5	35.1	31.8	24.4
JSRT-10T	5/8	16	7/8 - 14	12.3	22.2	25.4	25.4	53.4	41.1	36.8	28.4
JSRT-12T	3/4	18	1 1/16 - 12	15.5	27.0	31.8	31.8	57.7	44.4	42.2	30.1
JSRT-14T	7/8	22	1 3/16 - 12	18.3	33.3	34.9	34.9	63.3	45.2	45.7	30.5
JSRT-16T	1	25	1 5/16 - 12	21.4	33.3	38.1	38.1	65.0	50.8	46.0	35.7
JSRT-20T	1 1/4	32	1 5/8 - 12	27.4	41.3	50.8	50.8	70.8	58.7	52.3	42.8
JSRT-24T	1 1/2	38	1 7/8 - 12	33.3	47.6	57.2	57.2	85.9	65.8	59.2	47.2
JSRT-32T	2	50	2 1/2 - 12	45.2	63.5	73.0	73.0	105.2	85.9	77.7	62.1

JSBT Swivel Branch Tee



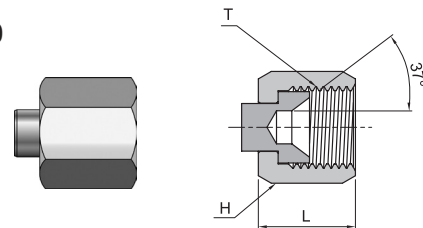
Part Number	Tube O.D.		T (UNF/UN)	D	h (HEX)	H (HEX)	H1 (HEX)	L	L1	L2	L3
	Inch	Metric									
JSBT-2T	1/8	3	5/16 - 24	1.6	11.1	9.5	11.1	27.4	24.6	19.6	16.7
JSBT-3T	3/16	4	3/8 - 24	3.2	11.1	11.1	12.7	30.5	25.4	21.1	17.1
JSBT-4T	1/4	6	7/16 - 20	4.4	11.1	14.3	14.3	31.7	25.4	22.6	16.7
JSBT-5T	5/16	8	1/2 - 20	6.0	14.3	15.9	15.9	34.5	26.9	24.1	17.4
JSBT-6T	3/8	10	9/16 - 18	7.5	14.3	17.5	17.5	38.8	31.8	26.9	22.3
JSBT-8T	1/2	12	3/4 - 16	9.9	19.0	22.2	22.2	44.5	35.1	31.8	24.4
JSBT-10T	5/8	16	7/8 - 14	12.3	22.2	25.4	25.4	53.4	41.1	36.8	28.4
JSBT-12T	3/4	18	1 1/16 - 12	15.5	27.0	38.1	31.8	57.7	44.4	42.2	30.1
JSBT-14T	7/8	22	1 3/16 - 12	18.3	33.3	34.9	34.9	63.3	45.2	45.7	30.5
JSBT-16T	1	25	1 5/16 - 12	21.4	33.3	38.1	38.1	65.0	50.8	46.0	35.7
JSBT-20T	1 1/4	32	1 5/8 - 12	27.4	41.3	50.8	50.8	70.8	58.7	52.3	42.8
JSBT-24T	1 1/2	38	1 7/8 - 12	33.3	47.6	57.2	57.2	85.9	65.8	59.2	47.2
JSBT-32T	2	50	2 1/2 - 12	45.2	63.5	73.0	73.0	105.2	85.9	77.7	62.1

JP Plug



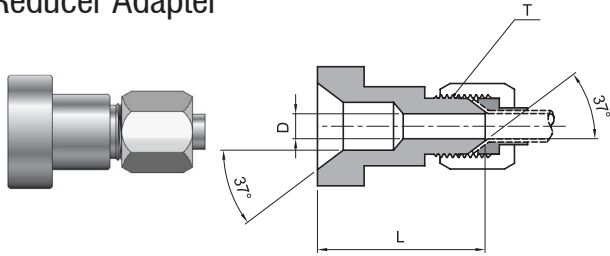
Part Number	Tube O.D.		T (UNF/UN)	H (HEX)	L
	Inch	Metric			
JP-2T	1/8	3	5/16 - 24	11.1	17.8
JP-3T	3/16	4	3/8 - 24	11.1	18.5
JP-4T	1/4	6	7/16 - 20	12.7	20.3
JP-5T	5/16	8	1/2 - 20	14.3	20.3
JP-6T	3/8	10	9/16 - 18	15.9	21.3
JP-8T	1/2	12	3/4 - 16	20.6	23.9
JP-10T	5/8	16	7/8 - 14	25.4	27.9
JP-12T	3/4	18	1 1/16 - 12	28.6	32.5
JP-14T	7/8	22	1 3/16 - 12	31.8	33.3
JP-16T	1	25	1 5/16 - 12	34.9	33.8
JP-20T	1 1/4	32	1 5/8 - 12	42.9	36.8
JP-24T	1 1/2	38	1 7/8 - 12	50.8	41.9
JP-32T	2	50	2 1/2 - 12	66.7	52.1

JC Tube Cap



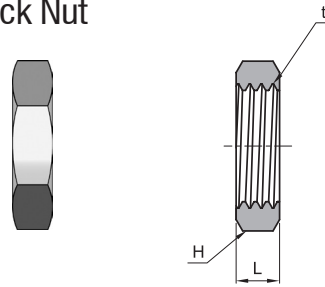
Part Number	Tube O.D.		T (UNF/UN)	H (HEX)	L
	Inch	Metric			
JC-2T	1/8	3	5/16 - 24	9.5	13.7
JC-3T	3/16	4	3/8 - 24	11.1	15.2
JC-4T	1/4	6	7/16 - 20	14.3	15.5
JC-5T	5/16	8	1/2 - 20	15.9	17.0
JC-6T	3/8	10	9/16 - 18	17.5	18.3
JC-8T	1/2	12	3/4 - 16	22.2	21.3
JC-10T	5/8	16	7/8 - 14	25.4	24.6
JC-12T	3/4	18	1 1/16 - 12	31.8	25.9
JC-14T	7/8	22	1 3/16 - 12	34.9	27.4
JC-16T	1	25	1 5/16 - 12	38.1	28.4
JC-20T	1 1/4	32	1 5/8 - 12	50.8	31.0
JC-24T	1 1/2	38	1 7/8 - 12	57.2	35.8
JC-32T	2	50	2 1/2 - 12	73.0	44.2

JRA Reducer Adapter



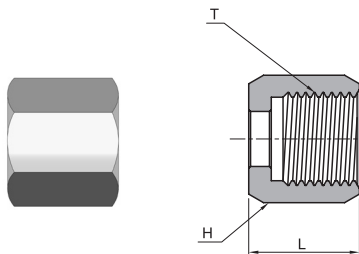
Part Number	Reducing Tube O.D.	T (UNF/UN)	D	L
JRA-6T-4T	3/8 x1/4	7/16 - 20	4.4	24.6
JRA-8T-4T	1/2 x1/4	7/16 - 20	4.4	25.4
JRA-8T-6T	1/2 x3/8	9/16 - 18	7.5	25.4
JRA-10T-4T	5/8 x1/4	7/16 - 20	4.4	26.2
JRA-10T-6T	5/8 x3/8	9/16 - 18	7.5	26.2
JRA-12T-4T	3/4 x1/4	7/16 - 20	4.4	27.7
JRA-12T-6T	3/4 x3/8	9/16 - 18	7.5	27.7
JRA-12T-8T	3/4 x1/2	3/4 - 16	10.0	30.2
JRA-16T-12T	1 x3/4	1 1/16 - 12	15.5	37.3
JRA-20T-12T	1 1/4 x3/4	1 1/16 - 12	15.5	38.3
JRA-20T-16T	1 1/4 x1	1 5/16 - 12	21.5	40.3
JRA-24T-20T	1 1/2 x1 1/4	1 5/8 - 12	27.5	42.9

JLN Bulkhead Lock Nut



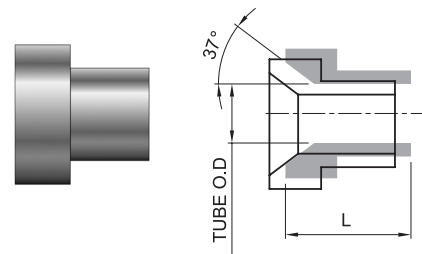
Part Number	Tube O.D.		T (UNF/UN)	H (HEX)	L
	Inch	Metric			
JLN-2T	1/8	3	5/16 - 24	14.3	5.6
JLN-3T	3/16	4	3/8 - 24	15.9	5.6
JLN-4T	1/4	6	7/16 - 20	17.5	7.1
JLN-5T	5/16	8	1/2 - 20	19.1	7.1
JLN-6T	3/8	10	9/16 - 18	20.6	6.9
JLN-8T	1/2	12	3/4 - 16	25.4	7.9
JLN-10T	5/8	16	7/8 - 14	28.6	9.1
JLN-12T	3/4	18	1 1/16 - 12	34.9	10.4
JLN-14T	7/8	22	1 3/16 - 12	38.1	10.4
JLN-16T	1	25	1 5/16 - 12	41.3	10.4
JLN-20T	1 1/4	32	1 5/8 - 12	47.6	10.4
JLN-24T	1 1/2	38	1 7/8 - 12	54.0	10.4
JLN-32T	2	50	2 1/2 - 12	69.9	10.4

JN Nut



Part Number	Tube O.D.		T (UNF/UN)	H (HEX)	L
	Inch	Metric			
JN-2T	1/8	3	5/16 - 24	9.5	14.0
JN-3T	3/16	4	3/8 - 24	11.1	15.5
JN-4T	1/4	6	7/16 - 20	14.3	15.8
JN-5T	5/16	8	1/2 - 20	15.9	17.3
JN-6T	3/8	10	9/16 - 18	17.5	18.5
JN-8T	1/2	12	3/4 - 16	22.2	21.6
JN-10T	5/8	16	7/8 - 14	25.4	24.9
JN-12T	3/4	18	1 1/16 - 12	31.8	26.2
JN-14T	7/8	22	1 3/16 - 12	34.9	27.7
JN-16T	1	25	1 5/16 - 12	38.1	28.7
JN-20T	1 1/4	32	1 5/8 - 12	50.8	31.2
JN-24T	1 1/2	38	1 7/8 - 12	57.2	36.1
JN-32T	2	50	2 1/2 - 12	73.0	44.5

JS Sleeve



Part Number	Tube O.D.		L		
	Inch	Metric	Inch	Metric	
JS-2T	JS-2MT	1/8	-	8.6	-
JS-3T	JS-3MT	3/16	-	8.6	-
JS-4T	JS-6MT	1/4	6	10.4	10.4
JS-5T	JS-8MT	5/16	8	11.2	11.2
JS-6T	JS-10MT	3/8	10	12.7	12.7
JS-8T	JS-12MT	1/2	12	14.2	14.2
JS-10T	JS-16MT	5/8	16	16.8	16.8
JS-12T	JS-18MT	3/4	18	17.3	17.3
JS-14T	JS-22MT	7/8	22	19.3	19.3
JS-16T	JS-25MT	1	25	19.8	19.8
JS-20T	JS-32MT	1 1/4	32	23.1	23.1
JS-24T	JS-38MT	1 1/2	38	28.4	28.4
JS-32T	JS-50MT	2	50	30.2	30.2

* Metric Sleeves are used with standard nuts & bodies