

Full Flow Quick-Connects

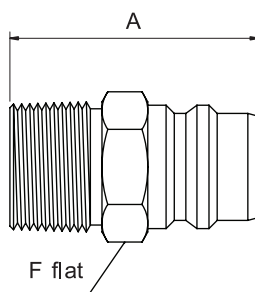
SFQC SERIES

Features

- Ball-lock mechanism provides positive connection.
- Simple push-pull action to connect and disconnect lines - no tools required.
- Compact coupling offers full flow without restrictions.
- O-ring is easily replaced without disassembling body.



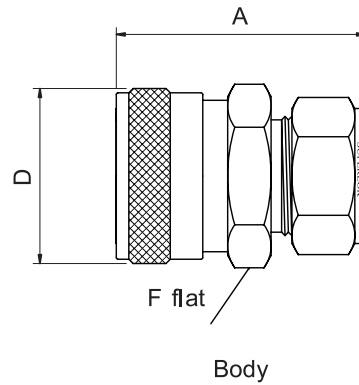
Table of Dimensions



Plug

Part Number	End Connection		Cv	Min Orifice	A	F
		Type				
SFQC2P	S4	1/4" Superlok	2.2	6.1	45.0	14.3
	S6	3/8" Superlok	2.8			17.5
	M4N(R)	1/4" Male NPT	1.7		40.4	14.3
	M6N(R)	3/8" Male NPT(PT)				17.5
	M4G	1/4" Male PF			40.6	19.1
	F4N(R)	1/4" Female NPT(PT)			42.4	22.2
	F6N(R)	3/8" Female NPT(PT)			40.6	19.1
	F4G	1/4" Female PF				
SFQC3P	S6	3/8" Superlok	2.9	12.7	47.8	22.2
	S8	1/2" Superlok	13.0			
	M6N(R)	3/8" Male NPT(PT)	7.1	10.4	41.9	
	M8N(R)	1/2" Male NPT(PT)	11.5	46.7		
	M8G	1/2" Male PF	11.5	46.2	27.0	
	F6N(R)	3/8" Female NPT(PT)	7.1	11.9		40.4
	F8N(R)	1/2" Female NPT(PT)	11.5	12.7		46.2
	F8G	1/2" Female PF	11.5			
SFQC4P	S12	3/4" Superlok	26.0	18.3	54.6	27.0
	M12N(R)	3/4" Male NPT(PT)	23.6		51.6	
	F12N(R)	3/4" Female NPT(PT)			52.8	33.3
SFQC5P	S16	1" Superlok	45.0	22.4	62.2	34.9
	M16N(R)	1" Male NPT(PT)	39.0		59.7	
	F16N(R)	1" Female NPT(PT)			63.2	41.3

• All dimensions in millimeters unless specified as "inch". Dimension are for reference only, subject to change



Ordering Number	End Connection	Cv	A	D	F	
Body Series	Type					
SFQC2B	S4	1/4" Superlok	8	45.7	22.2	17.5
	S6	3/8" Superlok	7.1	46.0		
	M4N(R)	1/4" Male NPT	6.4	40.0		
	M6N(R)	3/8" Male NPT(PT)	9.4	40.0		
	M4G	1/4" Male PF	6.1	45.7		19.1
	F4N(R)	1/4" Female NPT(PT)	9.7	38.1		22.2
	F6N(R)	3/8" Female NPT(PT)		41.4		22.2
	F4G	1/4" Female PF		38.1		19.1
SFQC3B	S6	3/8" Superlok	7.1	55.1	33.0	27.0
	S8	1/2" Superlok	11.9	56.6		
	M6N(R)	3/8" Male NPT(PT)	10.4	46.5		
	M8N(R)	1/2" Male NPT(PT)	12.7	52.8		
	M8G	1/2" Male PF	11.9	52.8		
	F6N(R)	3/8" Female NPT(PT)	15.0	43.9		
	F8N(R)	1/2" Female NPT(PT)	16.0			
	F8G	1/2" Female PF				
SFQC4B	S12	3/4" Superlok	15.7	62.2	42.6	38.1
	M12N(R)	3/4" Male NPT(PT)	18.3	59.2		
	F12N(R)	3/4" Female NPT(PT)	22.4	48.0		
SFQC5B	S16	1" Superlok	22.4	70.0	49.0	44.5
	M16N(R)	1" Male NPT(PT)		67.3		
	F16N(R)	1" Female NPT(PT)		26.9		

Materials of Construction

Component	Material	
	316 SS	Brass
Body	SS316/A276	Brass / B16
Sleeve		
Locking ball		
Spring	SS304	
Sanp ring		
O-ring	Viton	NBR
Plug	SS316/A276	Brass / B16

Pressure-Temperature Ratings

Temperature °F (°C)	316 SS with Viton O - ring				Brass with NBR O - ring			
	SFQC 2	SFQC 3	SFQC 4	SFQC 5	SFQC 2	SFQC 3	SFQC 4	SFQC 5
Pressure Rating, coupled, psig (bar)								
70 (20)	6000 (413)		4000 (275)		4000 (275)	3000 (206)		2000 (137)
250 (121)					100 (6.8)			
400 (204)	100 (6.8)							

Insertion Depth

Series	Depth, in (mm)
SFQC2	0.78 (19.8)
SFQC3	0.81 (20.6)
SFQC4	0.90 (23.0)
SFQC5	0.94 (23.9)

Option

BODY & PLUG PROTECTOR

Body & Plug Protectors guard against damage and contaminants when bodies and plugs are uncoupled.

Series	Ordering Number	
	Body Protector	Plug Protector
SFQC 2	SFQC2 - BP	SFQC2 - PP
SFQC 3	SFQC3 - BP	SFQC3 - PP
SFQC 4	SFQC4 - BP	SFQC4 - PP
SFQC 5	SFQC5 - BP	SFQC5 - PP

Ordering Information

Example : **SFQC4B - M 12N - SS**

1
2
3
4

1. Body Series

SFQC2B
SFQC3B
SFQC4B
SFQC5B

Plug Series

SFQC2P
SFQC3P
SFQC4P
SFQC5P

2. End Connection

S : SUPERLOK Tube Fitting
F : Female Thread
M : Male Thread

3. End Connection Size

Tube O.D Designation

Tube O.D (inch)	1/4	3/8	1/2	3/4	1
Designation	4	6	8	12	4
Tube O.D (mm)	6	10	12	20	25
Designation	6M	10M	12M	20M	25M

Pipe Thread Designation

Size (inch)	1/4	3/8	1/2	3/4	1
Screwed BSPT	4R	6R	8R	12R	16R
Screwed NPT	4N	6N	8N	12N	16N
Screwed BSPP	4G	6G	8G	12G	16G

4. Body Material

SS : 316 Stainless Steel
B : Brass