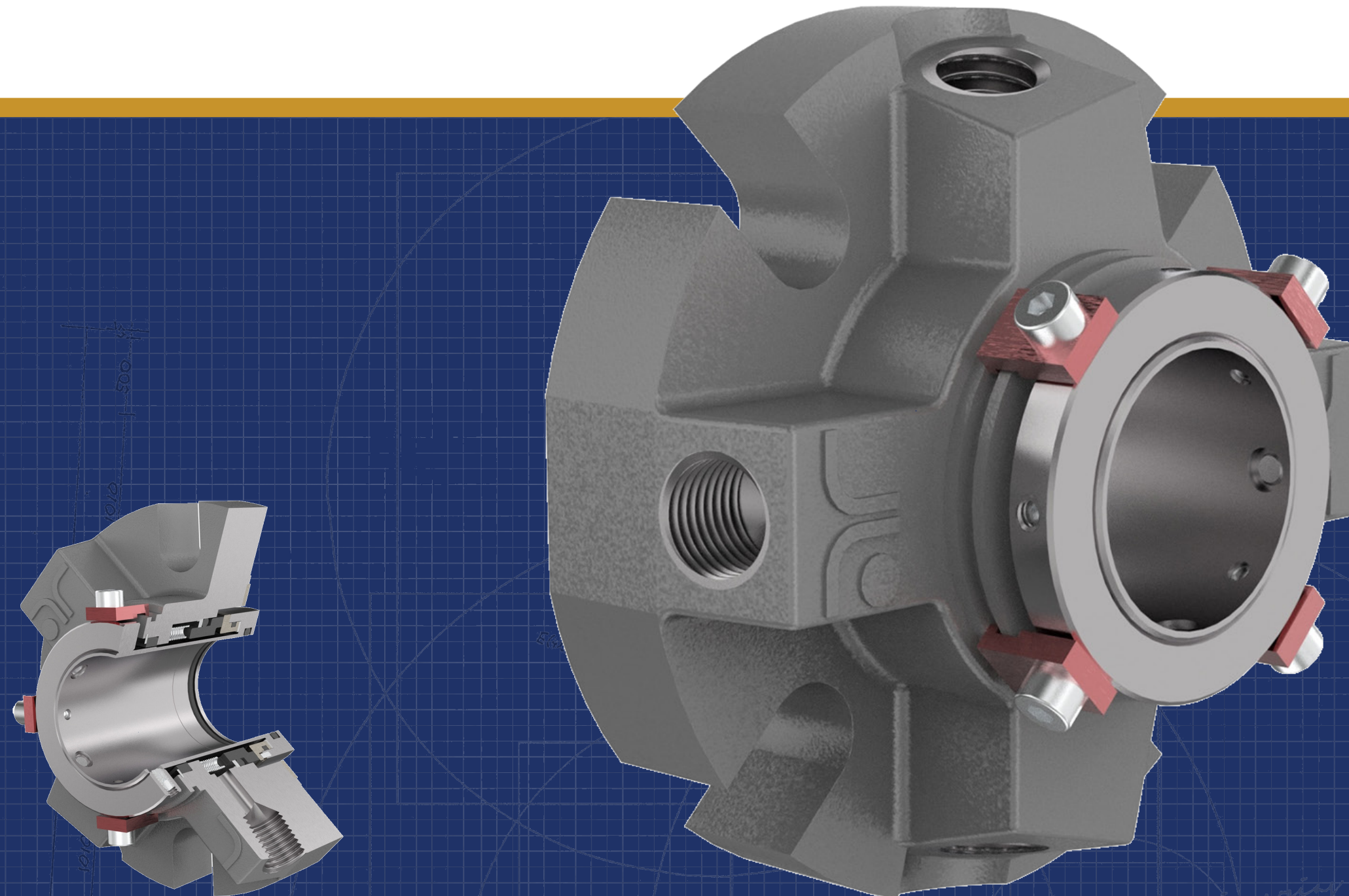


# TAC 33



## Equipment Checks:

- Shaft outside diameter  $\pm 0.05\text{mm}$  ( $\pm 0.002''$ )
- Shaft axial float  $< 0.13\text{mm}$  ( $< 0.005''$ )
- Radial runout  $0.1\text{mm}$  ( $0.004''$ ) TIR

\*See reverse for detailed assembly instructions.

