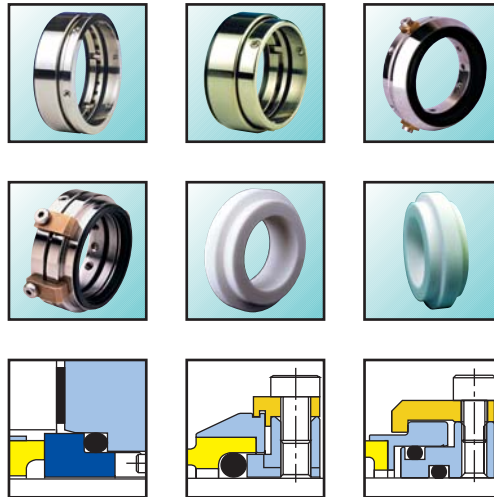




ENVIRONMENTAL TECHNOLOGY



SAI™, CS™, NCE™ and
stationary seat
seal ranges

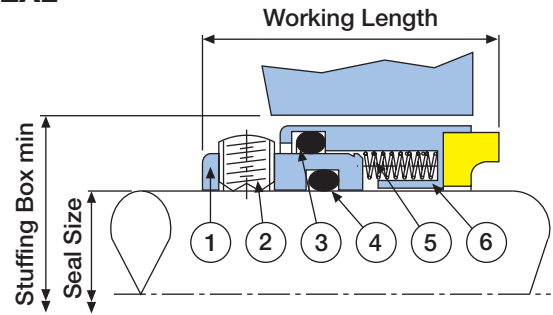
The AESSEAL® Group of
Companies

Designers and
Manufacturers of
Mechanical Seals and
Engineered Seal
Support Systems

SAI™ - internal balanced mechanical seal

The standard rotary unit in the AESSEAL® modular seal range.

Item	Description	Material
1	SAI Inner Barrel	316L Stainless Steel
2	Drive Screws	Stainless Steel
3	Dynamic O Ring	Viton® / EPR / FEP® / Kalrez® / Aflas®
4	Static O Ring	Viton® / EPR / FEP® / Kalrez® / Aflas®
5	Springs	Alloy 276
6	SAI Outer Barrel	316L SS - Carbon / TC / Silicon Carbide



The seal is offered with the following features:

- Hydraulically balanced seal face design
- Short internal working length
- Multiple springs, out of the media being pumped
- Metric DIN SAI™ sizes conform to DIN EN12756:2001 and BSEN 12756:2001 (formerly DIN 24960) in conjunction with the AESSEAL® DIN stationary
- Non shaft fretting
- Excellent general service seal
- Fits 0.312" (8mm) cross section in smaller pump models

SAI™ Size Chart (mm)

Seal Size	Working Length	S/Box Min
105.0	36.5	123.9
110.0	36.5	130.2
115.0	36.5	136.5
120.0	36.5	142.9
125.0	36.5	149.2
130.0	36.5	149.2
135.0	55.6	168.3
140.0	55.6	168.3
145.0	55.6	168.3
150.0	55.6	181.0
155.0	55.6	181.0

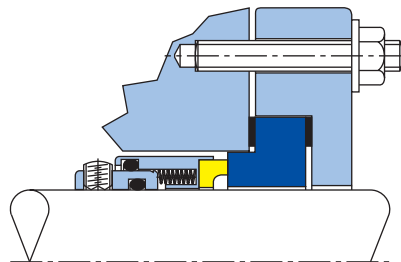
For metric SAI™ seals from 18mm-100mm see DIN SAI™ size chart (below)

SAI™ Size Chart (inches)

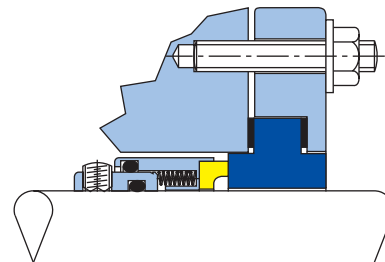
Seal Size	Working Length	S/Box Min
0.750	1.335	1.375
0.875	1.335	1.500
1.000	1.335	1.625
1.125	1.335	1.750
1.250	1.335	1.875
1.375	1.335	2.000
1.500	1.335	2.125
1.625	1.335	2.250
1.750	1.335	2.375
1.875	1.335	2.500
2.000	1.335	2.625
2.125	1.335	2.750
2.250	1.335	2.875
2.375	1.335	3.000
2.500	1.335	3.125
2.625	1.437	3.375
2.750	1.437	3.500
2.875	1.437	3.625
3.000	1.437	3.750
3.125	1.437	3.875
3.250	1.437	4.000
3.375	1.437	4.125
3.500	1.437	4.250
3.625	1.437	4.375
3.750	1.437	4.500
3.875	1.437	4.625
4.000	1.437	4.750
4.125	1.437	4.875
4.250	1.437	5.125
4.375	1.437	5.125
4.500	1.437	5.375
4.625	1.437	5.375
4.750	1.437	5.625
4.875	1.437	5.625
5.000	1.437	5.875
5.125	1.437	5.875
5.250	2.187	6.625
5.375	2.187	6.625
5.500	2.187	6.625
5.625	2.187	6.625
5.750	2.187	6.625
5.875	2.187	7.125
6.000	2.187	7.125



SAI™ L-Seat™

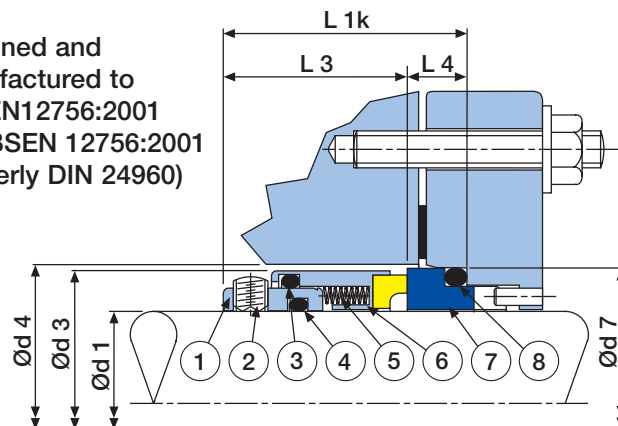


SAI™ T-Seat™



DIN SAI™ & DIN Stationary

Designed and manufactured to DIN EN12756:2001 and BSEN 12756:2001 (formerly DIN 24960)



Item	Description	Material
1	DIN SAI Inner Barrel	316L Stainless Steel
2	Drive Screws	Stainless Steel
3	Dynamic O Ring	Viton® / EPR / FEP® / Kalrez® / Aflas®
4	Static O Ring	Viton® / EPR / FEP® / Kalrez® / Aflas®
5	Springs	Alloy 276
6	DIN SAI Outer Barrel	316L SS - Carbon / Tungsten Carbide / Silicon Carbide
7	DIN Stationary	Ceramic* / Silicon Carbide
8	Stationary O Ring	Viton® / EPR / FEP® / Kalrez® / Aflas®

*This material is not available from 3.125" (80mm) and above.

DIN SAI™ Size Chart (mm)

Ød1 h6	L3	L1k +/- 0.5	L4	Ød7 H8	Ød3 Max	Ød4 Min
18.0	27.9	37.5	9.60	33.0	32.0	34.0
20.0	27.9	37.5	9.60	35.0	34.0	36.0
22.0	27.9	37.5	9.60	37.0	36.0	38.0
24.0	29.9	40.0	10.1	39.0	38.0	40.0
25.0	29.9	40.0	10.1	40.0	39.0	41.0
28.0	32.4	42.5	10.1	43.0	42.0	44.0
30.0	32.4	42.5	10.1	45.0	44.0	46.0
32.0	32.4	42.5	10.1	48.0	46.0	48.0
33.0	32.4	42.5	10.1	48.0	47.0	49.0
35.0	32.4	42.5	10.1	50.0	49.0	51.0
38.0	33.9	45.0	11.1	56.0	54.0	58.0
40.0	33.9	45.0	11.1	58.0	56.0	60.0
43.0	33.9	45.0	11.1	61.0	59.0	63.0
45.0	33.9	45.0	11.1	63.0	61.0	65.0
48.0	33.9	45.0	11.1	66.0	64.0	68.0
50.0	34.4	47.5	13.1	70.0	66.0	70.0
53.0	34.4	47.5	13.1	73.0	69.0	73.0
55.0	34.4	47.5	13.1	75.0	71.0	75.0
58.0	38.9	52.5	13.6	78.0	78.0	83.0
60.0	38.9	52.5	13.6	80.0	80.0	85.0
63.0	38.9	52.5	13.6	83.0	83.0	88.0
65.0	38.9	52.5	13.6	85.0	85.0	90.0
68.0	37.4	52.5	15.1	90.0	88.0	93.0
70.0	44.9	60.0	15.1	92.0	90.0	95.0
75.0	44.9	60.0	15.1	97.0	99.0	104.0
80.0	44.2	60.0	15.8	105.0	104.0	109.0
85.0	44.2	60.0	15.8	110.0	109.0	114.0
90.0	49.2	65.0	15.8	115.0	114.0	119.0
95.0	49.2	65.0	15.8	120.0	119.0	124.0
100.0	49.2	65.0	15.8	125.0	124.0	129.0

CS™ Range - external balanced mechanical seal

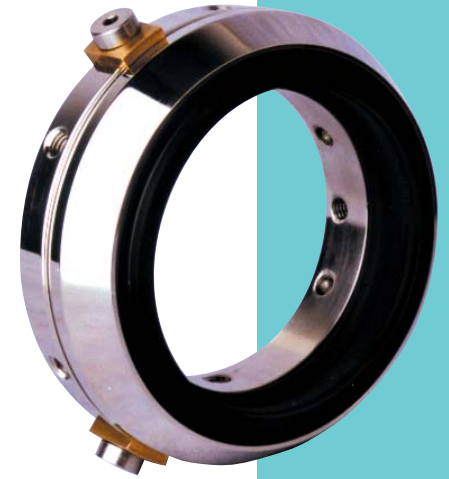
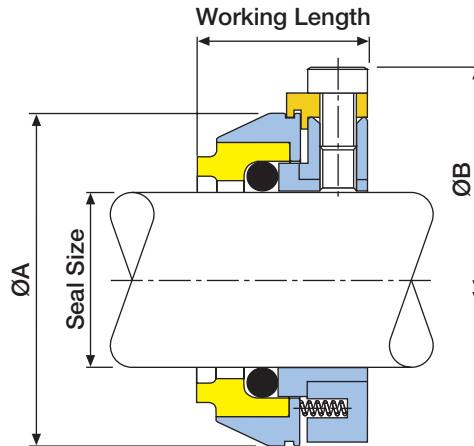
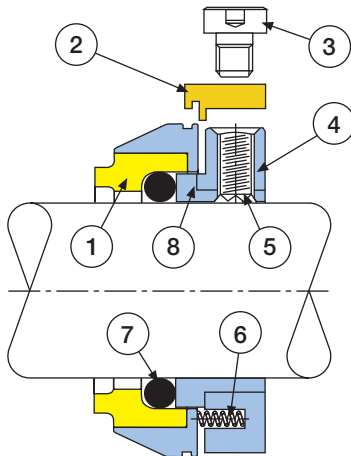
An external seal with non-metallic components in contact with the media being sealed.

Item	Description	Material
1	Rotary Face	316L Stainless Steel - Carbon / Teflon*
2	Setting Clip	Brass / Zinc Alloy
3	Clip Screws	Stainless Steel
4	Clamp Ring	316L Stainless Steel
5	Drive Screws	Stainless Steel
6	Springs	Alloy 276
7	Static O Ring	Viton® / EPR / FEP® / Kalrez® / Aflas®
8	Backup Ring (Optional)	Stainless Steel

*Ask for availability - SIC, Ceramic

The seals are offered with the following features:

- Non-metallic wetted parts
- Fully balanced seal design
- Springs not in contact with product
- Available with collet drive for hardened or non-metallic shafts
- Hard faces



CS™ Size Chart (inches)

Seal Size	Working Length	ØA	ØB
0.625	1.099	1.622	2.192
0.750	1.099	1.747	2.317
0.875	1.099	1.872	2.442
1.000	1.099	1.997	2.567
1.125	1.099	2.122	2.692
1.250	1.099	2.247	2.817
1.375	1.099	2.372	2.942
1.500	1.099	2.497	3.067
1.625	1.099	2.622	3.192
1.750	1.099	2.747	3.317
1.875	1.099	2.872	3.442
2.000	1.099	2.997	3.567
2.125	1.099	3.122	3.692
2.250	1.099	3.247	3.817
2.375	1.099	3.372	3.942
2.500	1.099	3.497	4.067
2.625	1.192	3.866	4.436
2.750	1.192	3.991	4.561
2.875	1.192	4.116	4.686
3.000	1.192	4.241	4.811
3.125	1.192	4.366	4.936
3.250	1.192	4.491	5.061
3.375	1.192	4.616	5.186
3.500	1.192	4.741	5.311
3.625	1.192	4.866	5.436
3.750	1.192	4.991	5.561
3.875	1.192	5.116	5.686
4.000	1.192	5.241	5.811

CS™ Size Chart (mm)

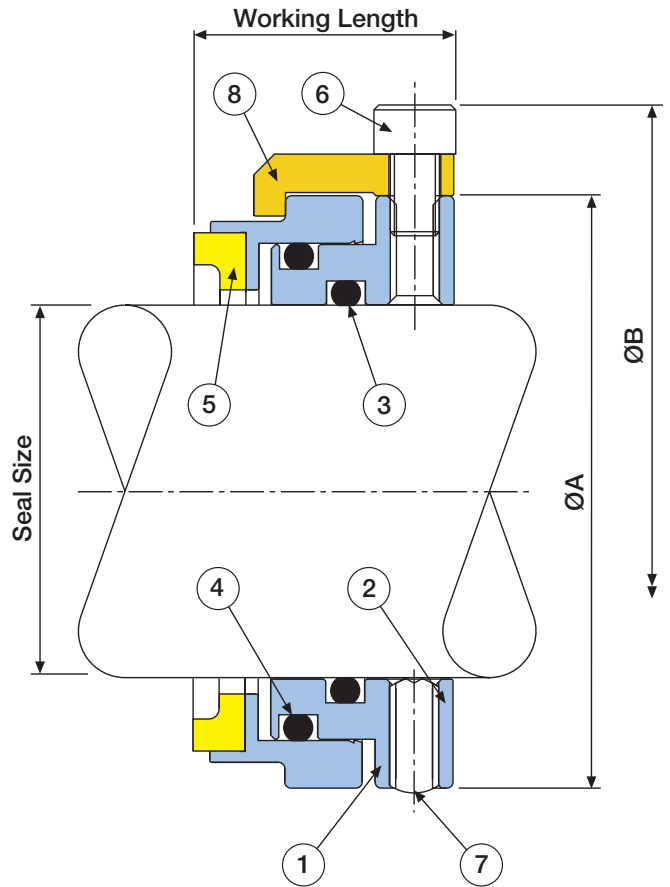
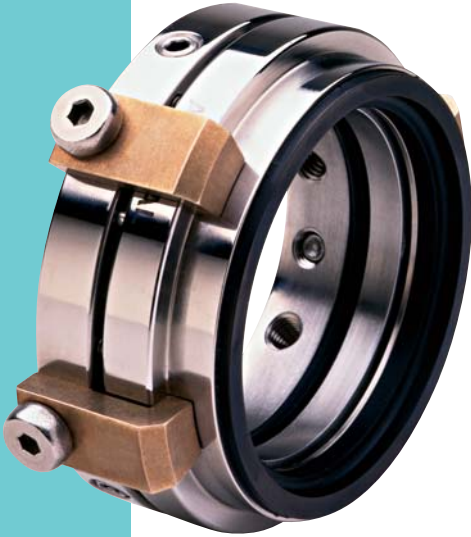
Seal Size	Working Length	ØA	ØB
20	27.91	45.3	59.8
22	27.91	47.3	61.8
24	27.91	49.3	63.8
25	27.91	50.3	64.8
28	27.91	53.3	67.8
30	27.91	55.3	69.8
32	27.91	57.3	71.8
33	27.91	58.3	72.8
35	27.91	60.3	74.8
38	27.91	63.3	77.8
40	27.91	65.3	79.8
42	27.91	67.3	81.8
43	27.91	68.3	82.8
45	27.91	70.3	84.8
48	27.91	73.3	87.8
50	27.91	75.3	89.8
53	27.91	78.3	92.8
55	27.91	80.3	94.8
60	27.91	85.3	99.8
65	30.28	96.5	111.0
70	30.28	101.5	116.0
75	30.28	106.5	121.0
80	30.28	111.5	126.0
85	30.28	116.5	131.0
90	30.28	121.5	136.0
95	30.28	126.5	141.0
100	30.28	131.5	146.0

CS™ Range

- CS™ External chemical component seal with socket set screw clamping.
- CSC™ External chemical component seal with collet clamping design.
- CSCT™ External chemical component seal with collet clamping and Teflon (GFT) seal face.
- CST™ External chemical component seal (CS) with Teflon (GFT) seal face.

NCE™ - Non Chemical External seal

An external seal with metallic components in contact with the media being sealed.



Item	Description	Material
1	Springs (not shown)	Alloy 276
2	Clamp Ring	316L Stainless Steel
3	O Ring	Viton® / EPR / Kalrez® / Aflas®
4	O Ring	Viton® / EPR / Kalrez® / Aflas®
5	Rotary Face	316L SS - Carbon / TC / SiC
6	Clip Screws	Stainless Steel
7	Set Screw	Stainless Steel
8	Setting Clips	Brass

The NCE™ is offered with the following features:

- Hydraulically balanced seal face design
- Non shaft fretting
- Multiple springs, out of the media being pumped

NCE™ Size Chart (inches)

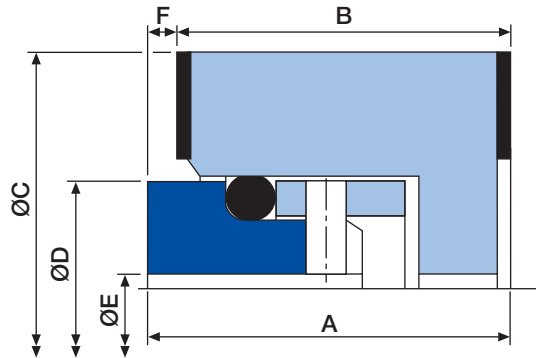
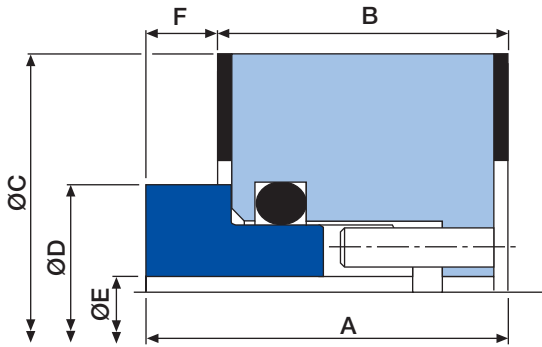
Seal Size	Working Length	ØA	ØB
1.000	1.096	1.834	2.618
1.125	1.096	1.992	2.776
1.250	1.096	2.070	2.854
1.375	1.096	2.187	2.971
1.500	1.125	2.510	3.294
1.625	1.125	2.510	3.294
1.750	1.125	2.636	3.420
1.875	1.125	2.760	3.544
2.000	1.087	2.886	3.670
2.125	1.087	3.014	3.798
2.250	1.087	3.139	3.922
2.375	1.087	3.264	4.048
2.500	1.087	3.388	4.172
2.625	1.250	3.556	4.340
2.750	1.250	3.681	4.465
2.875	1.250	3.806	4.590
3.000	1.250	3.931	4.715
3.125	1.250	4.056	4.840
3.250	1.250	4.181	4.965
3.375	1.250	4.306	5.090
3.500	1.250	4.431	5.215
3.625	1.250	4.556	5.340
3.750	1.250	4.681	5.465
3.875	1.250	4.806	5.590
4.000	1.250	4.931	5.715

NCE™ Size Chart (mm)

Seal Size	Working Length	ØA	ØB
24.0	27.8	46.6	66.5
25.0	27.8	47.6	67.5
28.0	27.8	50.6	70.5
30.0	27.8	50.6	70.5
32.0	27.8	52.6	72.5
33.0	27.8	55.5	75.4
35.0	27.8	55.5	75.4
38.0	28.6	63.8	83.7
40.0	28.6	63.8	83.7
43.0	28.6	67.0	86.9
45.0	28.6	67.0	86.9
48.0	27.6	73.3	93.2
50.0	27.6	73.3	93.2
53.0	27.6	76.6	96.5
55.0	27.6	76.6	96.5
58.0	27.6	82.9	102.8
60.0	27.6	82.9	102.8
63.0	27.6	86.1	106.0
65.0	31.7	90.3	110.2
68.0	31.7	93.5	113.4
70.0	31.7	93.5	113.4
75.0	31.7	99.8	119.7
80.0	31.7	103.0	122.9
85.0	31.7	109.4	129.3
90.0	31.7	115.7	135.6
95.0	31.7	118.9	138.8
100.0	31.7	125.2	145.1

NSI™ & USI™ - stationary seal

This is a self-aligning or non self-aligning stationary seal suitable for use with the range of component seals.



NSI™ Size Chart (inches)

Seal Size	A	B	ØC	ØD	ØE	F
1.000	0.800	0.600	2.000	1.559	1.157	0.200
1.125	0.800	0.600	2.125	1.677	1.275	0.200
1.250	0.800	0.600	2.250	1.828	1.432	0.250
1.375	0.800	0.600	2.375	1.953	1.550	0.200
1.500	0.800	0.600	2.625	2.076	1.574	0.200
1.625	0.800	0.600	2.750	2.200	1.707	0.200
1.750	0.800	0.600	3.000	2.325	1.825	0.200
1.875	0.800	0.600	3.125	2.450	1.950	0.200
2.000	0.800	0.600	3.250	2.575	2.110	0.200
2.125	0.800	0.600	3.500	2.700	2.218	0.200
2.250	0.800	0.600	3.625	2.825	2.325	0.200
2.375	0.800	0.600	3.750	2.950	2.450	0.200
2.500	0.800	0.600	4.000	3.075	2.575	0.200
2.625	1.044	0.725	4.125	3.325	2.740	0.319
2.750	1.044	0.725	4.250	3.450	2.865	0.319
2.875	1.044	0.725	4.625	3.575	2.990	0.319
3.000	1.044	0.725	4.750	3.700	3.115	0.319
3.125	1.044	0.725	4.875	3.825	3.240	0.319
3.250	1.044	0.725	5.000	3.950	3.365	0.319
3.375	1.044	0.725	5.125	4.075	3.490	0.319
3.500	1.044	0.725	5.250	4.200	3.615	0.319
3.625	1.044	0.725	5.375	4.325	3.740	0.319
3.750	1.044	0.725	5.750	4.450	3.865	0.319
3.875	1.044	0.725	5.875	4.575	3.990	0.319
4.000	1.044	0.725	6.000	4.700	4.115	0.319

USI™ Size Chart (inches)

Seal Size	A	B	ØC	ØD	ØE	F
1.000	1.047	0.967	2.088	1.559	1.157	0.080
1.125	1.047	0.967	2.215	1.677	1.275	0.080
1.250	1.047	0.967	2.338	1.828	1.432	0.080
1.375	1.047	0.967	2.408	1.953	1.550	0.080
1.500	1.047	0.967	2.718	2.076	1.574	0.080
1.625	1.086	1.006	2.840	2.200	1.707	0.080
1.750	1.086	1.006	3.090	2.325	1.825	0.080
1.875	1.086	1.006	3.218	2.450	1.950	0.080
2.000	1.086	1.006	3.468	2.575	2.110	0.080
2.125	1.166	1.006	3.718	2.700	2.218	0.160
2.250	1.164	1.026	3.838	2.825	2.325	0.138
2.375	1.164	1.026	3.878	2.950	2.450	0.138
2.500	1.164	1.026	4.088	3.075	2.575	0.138
2.625	1.194	1.026	4.218	3.325	2.740	0.168
2.750	1.194	1.026	4.378	3.450	2.865	0.168
2.875	1.194	1.026	4.498	3.575	2.990	0.168
3.000	1.194	1.026	4.558	3.700	3.115	0.168
3.125	1.194	1.026	4.687	3.825	3.240	0.168
3.250	1.194	1.026	4.877	3.950	3.365	0.168
3.375	1.194	1.026	5.000	4.075	3.490	0.168
3.500	1.194	1.026	5.128	4.200	3.615	0.168
3.625	1.194	1.026	5.248	4.325	3.740	0.168
3.750	1.194	1.026	5.378	4.450	3.865	0.168
3.875	1.194	1.026	5.497	4.575	3.990	0.168
4.000	1.194	1.026	5.628	4.700	4.115	0.168

NSI™ Size Chart (mm)

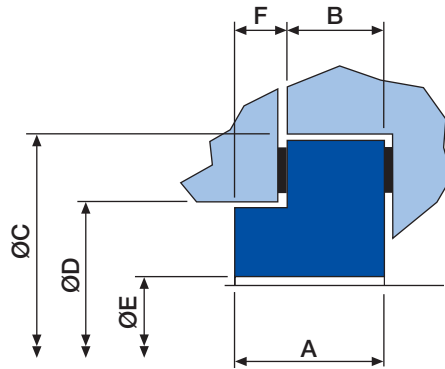
Seal Size	A	B	ØC	ØD	ØE	F
25.0	20.3	15.2	50.8	39.6	29.4	5.1
28.0	20.3	15.2	54.0	42.6	32.4	5.1
30.0	20.3	15.2	57.2	46.4	36.4	5.1
32.0	20.3	15.2	57.2	46.4	36.4	5.1
33.0	20.3	15.2	57.2	46.4	36.4	5.1
35.0	20.3	15.2	60.3	49.6	39.4	5.1
40.0	20.3	15.2	69.9	55.9	43.4	5.1
42.0	20.3	15.2	69.9	55.9	43.4	5.1
43.0	20.3	15.2	76.2	59.1	46.4	5.1
45.0	20.3	15.2	76.2	59.1	46.4	5.1
48.0	20.3	15.2	79.4	62.2	49.5	5.1
50.0	20.3	15.2	82.6	65.4	53.6	5.1
53.0	20.3	15.2	88.9	68.6	56.3	5.1
55.0	20.3	15.2	88.9	68.6	56.3	5.1
58.0	20.3	15.2	95.3	74.9	62.2	5.1
60.0	20.3	15.2	95.3	74.9	62.2	5.1
63.0	20.3	15.2	101.6	78.1	65.4	5.1
65.0	26.5	18.4	104.8	84.5	69.6	8.1
68.0	26.5	18.4	108.0	87.6	72.8	8.1
70.0	26.5	18.4	108.0	87.6	72.8	8.1
75.0	26.5	18.4	120.7	94.0	79.1	8.1
80.0	26.5	18.4	127.0	100.3	85.5	8.1
85.0	26.5	18.4	130.2	103.5	88.6	8.1
90.0	26.5	18.4	136.5	109.9	95.0	8.1
95.0	26.5	18.4	146.1	113.0	98.2	8.1
100.0	26.5	18.4	152.4	119.4	104.5	8.1

USI™ Size Chart (mm)

Seal Size	A	B	ØC	ØD	ØE	F
25.0	26.6	24.6	53.0	39.6	29.4	2.0
28.0	26.6	24.6	56.3	42.6	32.4	2.0
30.0	26.6	24.6	59.4	46.4	36.4	2.0
32.0	26.6	24.6	59.4	46.4	36.4	2.0
33.0	26.6	24.6	59.4	46.4	36.4	2.0
35.0	26.6	24.6	61.2	49.6	39.4	2.0
40.0	27.6	25.6	72.1	55.9	43.4	2.0
42.0	27.6	25.6	72.1	55.9	43.4	2.0
43.0	27.6	25.6	78.5	59.1	46.4	2.0
45.0	27.6	25.6	78.5	59.1	46.4	2.0
48.0	27.6	25.6	81.7	62.2	49.5	2.0
50.0	27.6	25.6	88.1	65.4	53.6	2.0
53.0	29.6	25.6	94.4	68.6	56.3	4.1
55.0	29.6	25.6	94.4	68.6	56.3	4.1
58.0	29.6	26.1	98.5	74.9	62.2	3.5
60.0	29.6	26.1	98.5	74.9	62.2	3.5
63.0	29.6	26.1	103.8	78.1	65.4	3.5
65.0	30.3	26.1	107.1	84.5	69.6	4.3
68.0	30.3	26.1	111.2	87.6	72.8	4.3
70.0	30.3	26.1	111.2	87.6	72.8	4.3
75.0	30.3	26.1	115.8	94.0	79.1	4.3
80.0	30.3	26.1	123.9	100.3	85.8	4.3
85.0	30.3	26.1	127.0	103.5	88.6	4.3
90.0	30.3	26.1	133.3	109.9	95.0	4.3
95.0	30.3	26.1	136.6	113.0	98.2	4.3
100.0	30.3	26.1	143.0	119.4	104.5	4.3

L-Seat™ & LA-Seat™ - stationary seats

A selection of the stationary seats available in a wide variety of material face combinations.



L-Seat™ Size Chart (inches)

ShaftØ	A	B	ØC	ØD	ØE	F
1.000	0.625	0.375	2.020	1.625	1.100	0.250
1.125	0.625	0.375	2.145	1.750	1.225	0.250
1.187	0.625	0.375	2.207	1.812	1.287	0.250
1.250	0.625	0.375	2.270	1.875	1.350	0.250
1.375	0.625	0.375	2.395	2.000	1.475	0.250
1.500	0.625	0.375	2.645	2.250	1.600	0.250
1.625	0.625	0.375	2.770	2.375	1.725	0.250
1.750	0.625	0.375	3.020	2.500	1.850	0.250
1.875	0.625	0.375	3.145	2.625	1.975	0.250
2.000	0.625	0.375	3.270	2.750	2.100	0.250
2.125	0.625	0.375	3.520	2.875	2.225	0.250
2.250	0.625	0.375	3.645	3.000	2.350	0.250
2.375	0.625	0.375	3.770	3.125	2.475	0.250
2.500	0.625	0.375	4.020	3.250	2.600	0.250
2.625	0.625	0.375	4.145	3.375	2.725	0.250

LA-Seat™ Size Chart (inches)

ShaftØ	A	B	ØC	ØD	ØE	F
0.625	0.500	0.250	1.640	1.250	0.730	0.250
0.750	0.500	0.250	1.765	1.375	0.850	0.250
0.875	0.500	0.250	1.890	1.500	0.950	0.250
0.937	0.625	0.375	1.960	1.562	1.045	0.250
1.000	0.625	0.375	2.110	1.625	1.100	0.250
1.125	0.625	0.375	2.240	1.750	1.225	0.250
1.187	0.625	0.375	2.457	1.813	1.287	0.250
1.250	0.625	0.375	2.360	1.875	1.360	0.250
1.375	0.625	0.375	2.430	2.000	1.478	0.250
1.500	0.625	0.375	2.740	2.250	1.600	0.250
1.625	0.625	0.375	2.860	2.375	1.725	0.250
1.750	0.625	0.375	3.110	2.500	1.850	0.250
1.875	0.625	0.375	3.240	2.625	1.950	0.250
2.000	0.625	0.375	3.490	2.750	2.100	0.250
2.125	0.625	0.375	3.740	2.875	2.225	0.250
2.250	0.625	0.375	3.860	3.000	2.350	0.250
2.375	0.625	0.375	3.900	3.067	2.475	0.250
2.500	0.625	0.375	4.110	3.250	2.600	0.250
2.625	0.625	0.375	4.240	3.375	2.725	0.250

L-Seat™ Size Chart (mm)

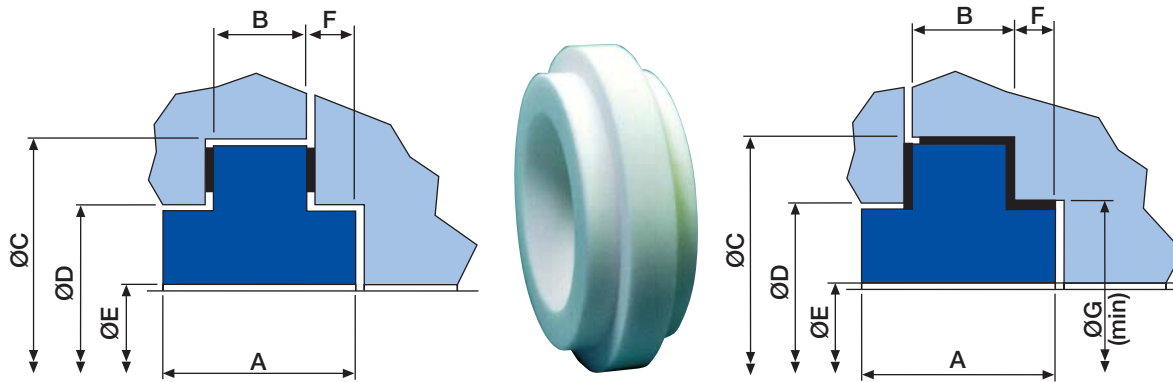
ShaftØ	A	B	ØC	ØD	ØE	F
25.0	15.9	9.5	51.3	41.3	27.9	6.4
28.0	15.9	9.5	54.5	44.5	31.1	6.4
30.0	15.9	9.5	56.1	46.0	32.7	6.4
32.0	15.9	9.5	57.7	47.6	34.3	6.4
35.0	15.9	9.5	60.8	50.8	37.5	6.4
38.0	15.9	9.5	67.2	57.2	40.6	6.4
40.0	15.9	9.5	70.4	60.3	43.8	6.4
43.0	15.9	9.5	76.7	63.5	47.6	6.4
45.0	15.9	9.5	79.9	66.7	50.2	6.4
50.0	15.9	9.5	83.1	69.9	53.3	6.4
55.0	15.9	9.5	92.6	76.2	59.7	6.4
60.0	15.9	9.5	95.8	79.4	62.9	6.4
65.0	15.9	9.5	105.3	85.7	69.2	6.4

LA-Seat™ Size Chart (mm)

ShaftØ	A	B	ØC	ØD	ØE	F
16.0	12.7	6.4	41.7	31.8	18.5	6.4
18.0	12.7	6.4	44.8	34.9	21.5	6.4
20.0	12.7	6.4	48.0	38.1	24.1	6.4
24.0	15.9	9.5	49.8	39.7	26.5	6.4
25.0	15.9	9.5	53.6	41.3	27.9	6.4
28.0	15.9	9.5	56.9	44.5	31.1	6.4
30.0	15.9	9.5	62.4	46.1	32.7	6.4
32.0	15.9	9.5	59.9	47.6	34.5	6.4
35.0	15.9	9.5	61.7	50.8	37.5	6.4
38.0	15.9	9.5	69.6	57.2	40.6	6.4
40.0	15.9	9.5	72.6	60.3	43.8	6.4
42.0	15.9	9.5	80.0	63.5	47.0	6.4
45.0	15.9	9.5	82.3	66.7	49.5	6.4
50.0	15.9	9.5	88.6	69.9	53.3	6.4
55.0	15.9	9.5	98.0	76.2	59.7	6.4
60.0	15.9	9.5	99.0	77.9	62.8	6.4
65.0	15.9	9.5	107.7	85.7	69.2	6.4

- L-Seats™ and LA-Seats™ listed are inventoried in Ceramic.
- For larger Ceramic L-Seats™ and LA-Seats™; 2.750" - 4.000" (70mm - 100mm) please contact the AESSEAL® Technical Department.
- Sizes and materials not listed are available to order.

T-Seat™ & TS-Seat™ - stationary seats



T-Seat™ Size Chart (inches)

ShaftØ	A	B	ØC	ØD	ØE	F
0.625	0.687	0.312	1.702	1.313	0.665	0.187
0.750	0.687	0.312	1.827	1.437	0.790	0.187
0.875	0.687	0.312	1.952	1.563	0.915	0.187
0.937	0.687	0.312	2.077	1.687	1.040	0.187
1.000	0.687	0.312	2.077	1.687	1.040	0.187
1.125	1.062	0.437	2.327	1.813	1.165	0.312
1.187	1.062	0.437	2.337	1.929	1.221	0.312
1.250	1.062	0.437	2.515	2.000	1.290	0.312
1.375	1.062	0.437	2.640	2.125	1.415	0.312
1.437	1.062	0.437	2.765	2.250	1.540	0.312
1.500	1.062	0.437	2.765	2.250	1.540	0.312
1.625	1.062	0.437	3.015	2.500	1.685	0.312
1.750	1.062	0.437	3.140	2.625	1.810	0.312
1.875	1.062	0.437	3.265	2.750	1.935	0.312
2.000	1.062	0.437	3.390	2.875	2.060	0.312
2.125	1.312	0.562	3.765	3.125	2.185	0.375
2.250	1.312	0.562	3.890	3.250	2.310	0.375
2.375	1.312	0.562	4.015	3.375	2.435	0.375
2.500	1.312	0.562	4.140	3.500	2.560	0.375
2.625	1.312	0.562	4.265	3.625	2.685	0.375

TS-Seat™ Size Chart (inches)

ShaftØ	A	B	ØC	ØD	ØE	F	ØG	Shroud
0.750	0.687	0.312	1.890	1.437	0.790	0.187	1.437	NO
0.875	0.687	0.312	2.000	1.563	0.915	0.187	1.563	NO
1.000	0.687	0.312	2.126	1.687	1.040	0.187	1.687	NO
1.125	1.062	0.362	2.560	1.813	1.165	0.262	2.000	YES
1.250	1.062	0.487	2.677	2.000	1.290	0.262	2.125	YES
1.375	1.062	0.487	2.795	2.125	1.415	0.262	2.250	YES
1.500	1.062	0.487	3.071	2.250	1.540	0.262	2.500	YES
1.625	1.062	0.487	3.199	2.500	1.685	0.262	2.625	YES
1.750	1.062	0.487	3.307	2.625	1.810	0.262	2.750	YES
1.875	1.062	0.487	3.425	2.750	1.935	0.262	2.875	YES
2.000	1.062	0.487	3.819	2.875	2.060	0.262	3.125	YES
2.125	1.312	0.612	3.937	3.125	2.185	0.325	3.250	YES
2.250	1.312	0.612	4.055	3.250	2.310	0.325	3.375	YES
2.375	1.312	0.612	4.173	3.375	2.435	0.325	3.500	YES
2.500	1.312	0.612	4.330	3.500	2.560	0.325	3.625	YES
2.625	1.312	0.612	4.449	3.625	2.685	0.325	3.750	YES

T-Seat™ Size Chart (mm)

ShaftØ	A	B	ØC	ØD	ØE	F
16	17.4	7.9	43.2	33.4	16.9	4.7
18	17.4	7.9	46.4	36.5	20.1	4.7
20	17.4	7.9	49.6	39.7	23.2	4.7
24	17.4	7.9	52.8	42.8	26.4	4.7
25	17.4	7.9	52.8	42.8	26.4	4.7
28	27.0	11.1	59.1	46.1	29.6	7.9
30	27.0	11.1	59.4	49.0	31.0	7.9
32	27.0	11.1	63.9	50.8	32.8	7.9
33	27.0	11.1	67.1	54.0	35.9	7.9
35	27.0	11.1	67.1	54.0	35.9	7.9
38	27.0	11.1	70.2	57.2	39.1	7.9
40	27.0	11.1	76.6	63.5	42.8	7.9
43	27.0	11.1	79.8	66.7	46.0	7.9
45	27.0	11.1	79.8	66.7	46.0	7.9
48	27.0	11.1	83.0	70.0	49.2	7.9
50	27.0	11.1	86.1	73.0	52.3	7.9
53	33.3	14.3	95.6	79.4	55.5	9.5
55	33.3	14.3	98.8	82.6	58.7	9.5
58	33.3	14.3	102.0	85.7	61.8	9.5
60	33.3	14.3	102.0	85.7	61.8	9.5
63	33.3	14.3	105.1	89.0	65.0	9.5
65	33.3	14.3	108.3	92.1	68.2	9.5

TS-Seat™ Size Chart (mm)

ShaftØ	A	B	ØC	ØD	ØE	F	ØG	Shroud
16	17.4	7.9	48.0	36.5	20.1	4.7	36.5	NO
18	17.4	7.9	48.0	36.5	20.1	4.7	36.5	NO
20	17.4	7.9	50.8	39.7	23.2	4.7	39.7	NO
24	17.4	9.2	54.0	42.8	26.4	6.7	42.8	NO
25	17.4	12.4	54.0	42.8	26.4	6.7	42.8	NO
28	27.0	12.4	65.0	46.1	29.6	6.7	50.8	YES
30	27.0	12.4	68.0	49.0	31.0	6.7	54.0	YES
32	27.0	12.4	68.0	50.8	32.8	6.7	54.0	YES
33	27.0	12.4	71.0	54.0	35.9	6.7	57.2	YES
35	27.0	12.4	71.0	54.0	35.9	6.7	57.2	YES
38	27.0	12.4	78.0	57.2	39.1	6.7	63.5	YES
40	27.0	12.4	81.3	63.5	42.8	8.3	66.7	YES
43	27.0	12.4	84.0	66.7	46.0	8.3	69.9	YES
45	27.0	12.4	84.0	66.7	46.0	8.3	69.9	YES
48	27.0	12.4	97.0	73.0	52.3	8.3	79.4	YES
50	27.0	12.4	97.0	73.0	52.3	8.3	79.4	YES
53	33.3	15.5	100.0	79.4	55.5	8.3	82.6	YES
55	33.3	15.5	103.0	82.6	58.7	8.3	85.7	YES
58	33.3	15.5	106.0	85.7	61.8	8.3	88.9	YES
60	33.3	15.5	106.0	85.7	61.8	8.3	88.9	YES
63	33.3	15.5	110.0	88.9	65.0	8.3	92.1	YES
65	33.3	15.5	113.0	92.1	68.2	8.3	95.3	YES

- Seats listed are inventoried in Ceramic, TS-Seats™ have 25% glass filled PTFE shroud (unless otherwise stated).
- For larger Ceramic T-Seats™ and TS-Seats™; 2.750" - 4.000" (70mm - 100mm), please contact the AESSEAL® Technical Department.
- Sizes and materials not listed are available to order.

The AESSEAL® Group of Companies

	AESSEAL plc, Rotherham, U.K.	Telephone: +44 (0) 1709 369966
	AESSEAL plc, Derby, U.K.	Telephone: +44 (0) 1332 366738
	AESSEAL plc, Peterborough, U.K.	Telephone: +44 (0) 1733 230787
	AESSEAL plc, Scotland, U.K.	Telephone: +44 (0) 1698 540422
	AESSEAL plc, Middlesbrough, U.K.	Telephone: +44 (0) 1642 245744
	AESSEAL plc, Essex, U.K.	Telephone: +44 (0) 1708 256600
	AESSEAL plc, Pontypridd, U.K.	Telephone: +44 (0) 1443 844330
	AESSEAL plc, Warrington, U.K.	Telephone: +44 (0) 1925 812294
	AESSEAL plc, Grimsby, UK	Telephone: +44 (0) 1472 357852
	AESSEAL (MCK) Ltd., Lisburn, U.K.	Telephone: +44 (0) 28 9266 9966
	AESSEAL (MCK) Ltd., Co. Cork, Ireland.	Telephone: +353 (0) 214 633477
	AESSEAL Inc., Knoxville, Tennessee, USA.	Telephone: +1 865 531 0192
	AESSEAL Inc., Seneca Falls, New York, USA.	Telephone: +1 315 568 4706
	AESSEAL Inc., Kingsport, Tennessee, USA.	Telephone: +1 423 224 7573
	AESSEAL ESP LLC, Cedar Rapids, Iowa, USA.	Telephone: +1 319 393 4310
	AESSEAL Argentina S.A., Buenos Aires, Argentina.	Telephone: + 54 11 4744 0022
	AESSEAL Australia Pty Ltd. Queensland, Australia.	Telephone: +61 7 32791144
	AESSEAL Benelux B.V., Breda, Holland.	Telephone: +31 (0) 76 564 9292
	AESSEAL Brasil Ltda. São Paulo, Brazil.	Telephone: +55 11 5891 5878
	AESSEAL Canada Inc., Thunder Bay, Ontario, Canada.	Telephone: +1 807 624 2727
	AESSEAL Chile SA. Providencia Santiago, Chile.	Telephone: +56 2 2343022
	AESSEAL China Ltd., Ningbo, China.	Telephone: +86 (0) 574 8823 2888
	AESSEAL Danmark, Køge, Denmark.	Telephone: +45 56 64 14 00
	AESSEAL Deutschland AG, Rödermark, Germany.	Telephone: +49 (0) 6074 881293
	AESSEAL France S.A.R.L., Nieppe, France.	Telephone: +33 (0) 3 2017 2850
	AESSEAL Ibérica S.L., Tarragona, Spain.	Telephone: +34 977 55 43 30
	AESSEAL India PVT. Ltd. Pune, India.	Telephone: + 91 20 24220868
	AESSEAL Italia SRL., Gallarate, Italy.	Telephone: +39 033 179 9952
	AESSEAL Malaysia SDN. BHD., Selangor, Malaysia.	Telephone: +603 8062 1233
	AESSEAL Mexico, S. de R.L. de C.V., Tampico, Mexico.	Telephone: (52 833) 214 6983
	AESSEAL Pty Ltd., Confluid Branch, Amanzimtoti, South Africa.	Telephone: +27 (0) 31 903 5438
	AESSEAL Pty Ltd., Gauteng, South Africa.	Telephone: +27 (0) 11 466 6500
	AESSEAL SRL Romania, Ploiesti, Romania.	Telephone: +40 (0) 244 514891
	AESSEAL Turkiye, Istanbul, Turkey.	Telephone: +90 (0) 212 659 70 91

THIS DOCUMENT IS DESIGNED TO PROVIDE DIMENSIONAL INFORMATION AND AN INDICATION OF AVAILABILITY.
FOR FURTHER INFORMATION AND SAFE OPERATING LIMITS CONTACT OUR TECHNICAL SPECIALISTS AT THE LOCATIONS BELOW.



AESSEAL® Seals and Systems are ATEX compliant.

USE DOUBLE MECHANICAL SEALS WITH HAZARDOUS PRODUCTS. ALWAYS TAKE SAFETY PRECAUTIONS:

- GUARD YOUR EQUIPMENT
- WEAR PROTECTIVE CLOTHING



UK Sales & Technical advice:

AESSEAL plc
Mill Close
Templeborough
Rotherham
S60 1BZ
United Kingdom



Telephone: +44 (0) 1709 369966
Fax: +44 (0) 1709 720788
E-mail: seals@aes seal.com
Internet: <http://www.aes seal.com>

Distributed by:



USA Sales & Technical advice:

AESSEAL Inc.
10231 Cogdill Road
Suite 105
Knoxville, TN 37932
USA

Telephone: +1 865 531 0192
Fax: +1 865 531 0571
E-mail: usa@aes seal.com

ALL SIZES ARE SUBJECT TO MANUFACTURING TOLERANCES.
WE RESERVE THE RIGHT TO MODIFY SPECIFICATIONS AT ANY TIME.