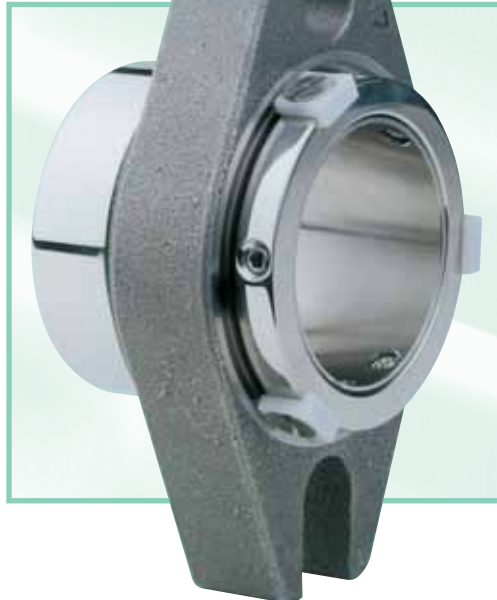




ENVIRONMENTAL TECHNOLOGY

CONVERTOR II™ Cartridge Mechanical Seal

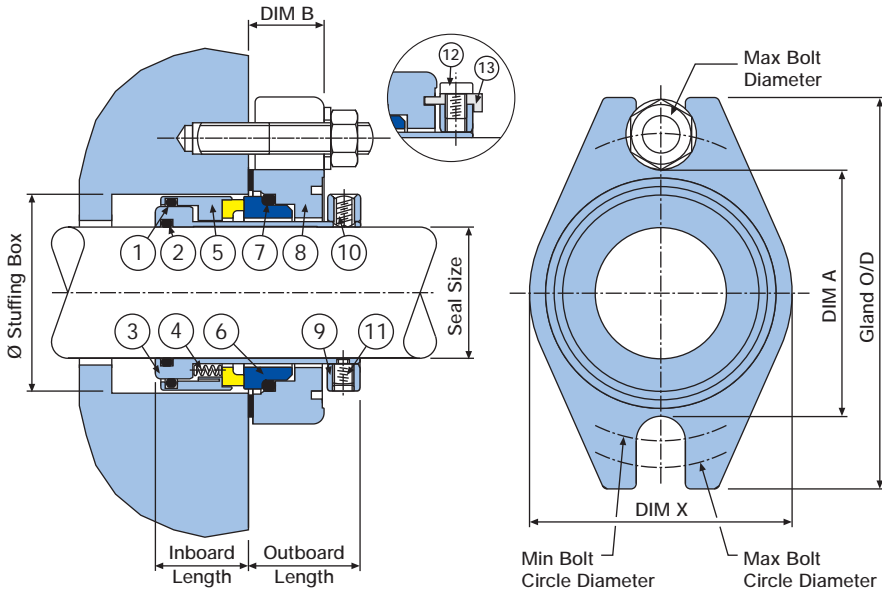


- BALANCED SEAL FACES
- EASY TO INSTALL
- MODERN USER-FRIENDLY DESIGN
- EXCELLENT GENERAL SERVICE SEAL

WHY USE PACKING OR TWO PART SEAL AND STATIONARY DESIGNS THAT DAMAGE THE PUMP SHAFT AND SLEEVE?

FOR ENERGY SAVING, NO SHAFT DAMAGE (FRETTING), EASE OF INSTALLATION AND VALUE FOR MONEY, CONVERT TO A CONVERTOR II™.

CONVERTOR II™ - technical information



Item	Description	Material
1	Rotary O Ring	Viton® / EPR* / Aflas** / Kalrez**
2	Sleeve O Ring	Viton® / EPR* / Aflas** / Kalrez**
3	Sleeve	316L Stainless Steel
4	Springs	Alloy 276
5	Rotary Face	316L SS - Carbon / TC* / SiC*
6	Stationary Face	†Ceramic / 316L SS - CrOx** / TC / SiC
7	Stationary O Ring	Viton® / EPR* / Aflas** / Kalrez**
8	Gland	316 Stainless Steel
9	Clamp Ring	316L Stainless Steel
10	Drive Screws	Stainless Steel
11	Anti-Tamper Screws	Stainless Steel
12	Clip Screws	Stainless Steel
13	Setting Clips	Hard Plastic

*Available to order only.

**This material is not available from 0.000 to 2.125 (53mm).

†Not available in all sizes. Contact AESSEAL® for more information.

CONVERTOR II™ - Imperial Dimensional Information (inches)

ISSUE C

SEAL SIZE Imperial	Gland O/D	DIM A	DIM B	DIM X	Stuffing Box		Bolt Circle Dia		Max Bolt Dia	Seal Length		Sleeve O Ring	Rotary O Ring	Stationary O Ring
					Min	Max	Min	Max		Inboard	Outboard			
					1.000	4.000	2.187	0.812		2.208	1.625			
1.125	4.125	2.312	0.812	2.333	1.750	2.000	2.875	3.625	1/2	1.125	1.250	122	127	221
1.250	4.250	2.437	0.812	2.458	1.875	2.125	3.000	3.750	1/2	1.125	1.250	124	129	223
1.375	4.250	2.625	0.812	2.645	2.000	2.250	3.187	3.750	1/2	1.125	1.250	126	131	224
1.500	4.500	2.812	0.875	2.833	2.250	2.500	3.375	4.000	1/2	1.125	1.312	128	136	226
1.625	4.750	2.937	0.875	2.958	2.375	2.625	3.500	4.250	1/2	1.125	1.312	130	138	227
1.750	5.000	3.062	0.937	3.083	2.500	2.750	3.625	4.500	1/2	1.187	1.375	132	140	228
1.875	5.250	3.187	0.937	3.207	2.625	2.875	3.750	4.750	1/2	1.187	1.375	134	142	229
2.000	5.500	3.312	1.000	3.333	2.750	3.000	4.000	4.875	5/8	1.187	1.437	136	144	230
2.125	5.750	3.437	1.000	3.458	2.875	3.125	4.125	5.125	5/8	1.187	1.437	138	146	231
2.250	6.500	3.750	1.000	3.895	3.000	3.375	4.562	5.750	3/4	1.187	1.437	140	148	232
2.375	6.500	3.750	1.000	3.895	3.125	3.375	4.562	5.750	3/4	1.187	1.437	142	150	233
2.500	7.000	4.375	1.000	4.770	3.375	4.000	5.187	6.250	3/4	1.125	1.625	230	234	234
2.625	7.000	4.375	1.000	4.770	3.500	4.000	5.187	6.250	3/4	1.125	1.625	231	235	235
2.750	7.000	4.375	1.000	4.770	3.625	4.000	5.187	6.250	3/4	1.125	1.625	232	236	236
2.875	7.500	4.937	1.250	5.145	3.750	4.500	5.750	6.750	3/4	1.187	2.000	233	237	237
3.000	7.500	4.937	1.250	5.145	3.875	4.500	5.750	6.750	3/4	1.187	2.000	234	238	238
3.125	7.500	4.937	1.250	5.145	4.000	4.500	5.750	6.750	3/4	1.187	2.000	235	239	239
3.250	8.000	5.312	1.250	5.520	4.125	4.875	6.125	7.250	3/4	1.187	2.000	236	240	240
3.375	8.000	5.312	1.250	5.520	4.250	4.875	6.125	7.250	3/4	1.187	2.000	237	241	241
3.500	8.000	5.312	1.250	5.520	4.375	4.875	6.125	7.250	3/4	1.187	2.000	238	242	242
3.625	8.500	5.687	1.250	5.895	4.500	5.250	6.500	7.750	3/4	1.187	2.000	239	243	243
3.750	8.500	5.687	1.250	5.895	4.625	5.250	6.500	7.750	3/4	1.187	2.000	240	244	244
3.875	8.500	5.687	1.250	5.895	4.750	5.250	6.500	7.750	3/4	1.187	2.000	241	245	245
4.000	9.000	6.062	1.250	6.145	4.875	5.500	6.875	8.250	3/4	1.187	2.000	242	246	246

Factory repair program is available

Replacement seal kits are available

THIS DOCUMENT IS DESIGNED TO PROVIDE DIMENSIONAL INFORMATION AND AN INDICATION OF AVAILABILITY.
FOR FURTHER INFORMATION AND SAFE OPERATING LIMITS CONTACT OUR TECHNICAL SPECIALISTS AT THE LOCATIONS BELOW.



USE DOUBLE MECHANICAL SEALS WITH HAZARDOUS PRODUCTS. ALWAYS TAKE SAFETY PRECAUTIONS:

- GUARD YOUR EQUIPMENT
- WEAR PROTECTIVE CLOTHING



UK Sales & Technical advice:
AESSEAL plc
Mill Close
Templeborough
Rotherham
S60 1BZ
United Kingdom

Telephone: +44 (0) 1709 369966
Fax: +44 (0) 1709 720788
E-mail: seals@aes seal.com
Internet: http://www.aes seal.com

Distributed by:

Our Purpose: *'To give our customers such exceptional service that they need never consider alternative sources of supply.'*

USA Sales & Technical advice:
AESSEAL Inc.
10231 Cogdill Road
Suite 105
Knoxville, TN 37932
USA

Telephone: +1 865 531 0192
Fax: +1 865 531 0571
E-mail: usa@aes seal.com