



ENVIRONMENTAL TECHNOLOGY

CYCL™ Cyclone Separator



FEATURES

316 S/S STANDARD CONSTRUCTION
(DUPLEX OPTION AVAILABLE)

LARGE INTERNAL CLEARANCES

WORKS FROM PUMP DISCHARGE

BENEFITS

- HARD WEARING MATERIALS OF CONSTRUCTION GUARANTEE LONG PRODUCT LIFE IN ABRASIVE INDUSTRIES

- RESTRICTS THE POTENTIAL FOR CLOGGING

- DOES NOT REQUIRE A WATER SOURCE FOR SEAL FLUSH FLUID



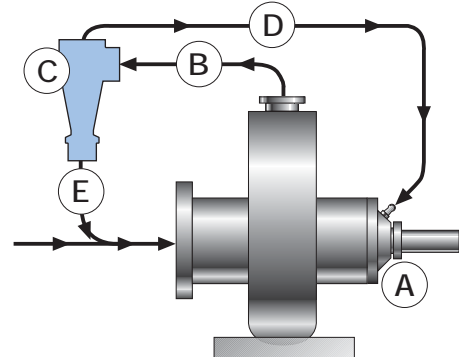


CYCL™ - Operation

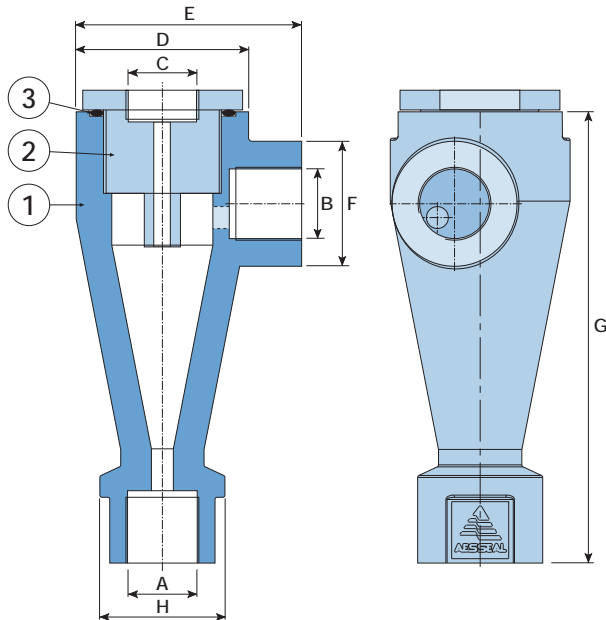
The CYCL™ is designed to separate heavy particles from the product liquid. The clean fluid is ideal for use as flush fluid, improving conditions at seal faces. The separated particles drain back into the sealed product. The benefit is a reliable and low cost sealing system for heavy product particle applications which does not require an independent flush supply.

KEY - Piping diagram schematic

ITEM	DESCRIPTION
A	Mechanical Seal
B	Dirty Product Liquid Pressure Feed
C	Cyclone Separator
D	Clean Product Liquid (Mechanical Seal Flush Fluid)
E	Dirty Product Liquid Return to Pump Suction



CYCL™ - Ordering



CYCL™ - Parts List and Materials

ITEM	DESCRIPTION	MATERIAL
1	Cyclone Separator	316 Stainless Steel Body
2	Hex. Reducing Bush	316 Stainless Steel / EPDM
3	Dowty Washer	316 Stainless Steel

CYCL™ - Key interface dimensions, mm (inches)

Style	Ø A, B, C,	ØD	E	F	G	H
A/4x4	1/2" NPT	Designed to order				
A/5x5						
A/6x6						
B/8x8	1" NPT	82.0mm (3.228")	106.5mm (4.193")	57.0mm (2.244")	220.0mm (8.800")	57.0mm (2.244")
B/10x10						
B/12x12						

• Sizes and materials not listed are available to order.

THIS DOCUMENT IS DESIGNED TO PROVIDE DIMENSIONAL INFORMATION AND AN INDICATION OF AVAILABILITY. FOR FURTHER INFORMATION AND SAFE OPERATING LIMITS CONTACT OUR TECHNICAL SPECIALISTS AT THE LOCATIONS BELOW.



USE DOUBLE MECHANICAL SEALS WITH HAZARDOUS PRODUCTS. ALWAYS TAKE SAFETY PRECAUTIONS:

- GUARD YOUR EQUIPMENT
- WEAR PROTECTIVE CLOTHING



UK Sales & Technical advice:
 AESSEAL plc
 Mill Close
 Templeborough
 Rotherham
 S60 1BZ
 United Kingdom
 Telephone: +44 (0) 1709 369966
 Fax: +44 (0) 1709 720788
 E-mail: seals@aes seal.com
 Internet: http://www.aes seal.com

Distributed by:

Our Purpose: *'To give our customers such exceptional service that they need never consider alternative sources of supply.'*

USA Sales & Technical advice:
 AESSEAL Inc.
 10231 Cogdill Road
 Suite 105
 Knoxville, TN 37932
 USA
 Telephone: +1 865 531 0192
 Fax: +1 865 531 0571
 E-mail: usa@aes seal.com

Systems Sales & Technical advice:
 AESSEAL (MCK) Ltd.
 139A Hillsborough Old Road
 Lisburn
 N.Ireland
 BT27 5QE
 Telephone: +44 (0) 28 9266 9966
 Fax: +44 (0) 28 9266 9977
 Tel/Fax Hotline: +44 (0) 28 9266 9988
 E-mail: MCK@aes seal.com