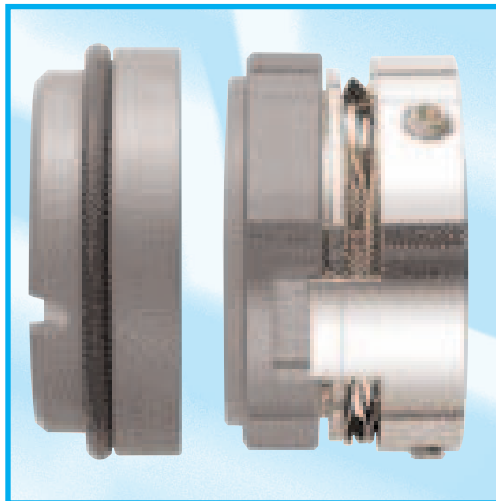




THE W07DM™ RANGE

New from AESSEAL[®]

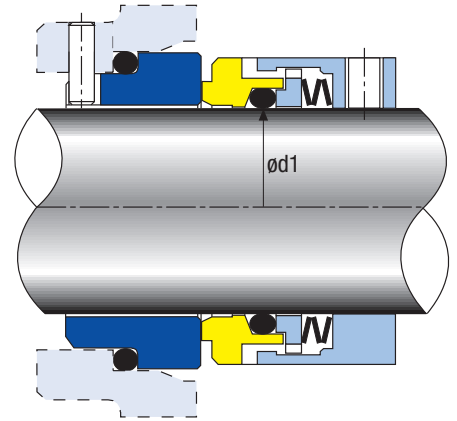


- **MONOLITHIC DESIGN**
- **SUPER-SINUOUS SPRING**
- **ROBUST DRIVE MECHANISM**
- **ALTERNATIVE TO THE CHEMIENORM SEAL ACCORDING TO EN 12756**

High quality seal
suitable for the
Chemical Industry
and arduous
applications

W07DM™ - New from AESSEAL®

| Shaft Size | Car/SiC | Car/SiC | Car/SiC | SiC/SiC | SiC/SiC | SiC/SiC |
|------------|-----------------|-----------|------------------|-----------------|-----------|------------------|
| | Nitrile/EPR (£) | Viton (£) | Wrapped PTFE (£) | Nitrile/EPR (£) | Viton (£) | Wrapped PTFE (£) |
| 18mm | 115.91 | 117.42 | 131.38 | 148.14 | 149.67 | 163.61 |
| 20mm | 119.52 | 121.09 | 135.38 | 153.93 | 155.49 | 169.79 |
| 22mm | 124.62 | 126.23 | 141.72 | 164.71 | 166.31 | 181.81 |
| 24mm | 130.38 | 132.08 | 147.76 | 176.12 | 177.83 | 193.51 |
| 25mm | 133.50 | 135.20 | 151.08 | 182.11 | 183.81 | 199.70 |
| 28mm | 140.21 | 142.00 | 158.10 | 192.03 | 193.81 | 209.92 |
| 30mm | 147.23 | 149.01 | 165.44 | 206.35 | 208.12 | 224.55 |
| 32mm | 151.67 | 153.60 | 171.26 | 211.74 | 213.75 | 231.75 |
| 33mm | 139.14 | 141.15 | 158.85 | 194.72 | 196.72 | 214.42 |
| 35mm | 158.62 | 160.61 | 178.68 | 223.71 | 225.71 | 243.77 |
| 38mm | 164.76 | 166.84 | 185.10 | 223.77 | 225.85 | 244.10 |
| 40mm | 179.12 | 181.35 | 200.26 | 246.76 | 248.99 | 267.91 |
| 43mm | 173.45 | 177.73 | 198.89 | 234.18 | 238.46 | 259.62 |
| 45mm | 200.47 | 204.75 | 226.10 | 273.71 | 277.99 | 299.34 |
| 48mm | 205.65 | 210.00 | 232.15 | 279.14 | 283.51 | 305.65 |
| 50mm | 223.01 | 227.49 | 249.91 | 310.21 | 314.69 | 337.11 |
| 53mm | 217.01 | 221.95 | 246.70 | 304.13 | 309.05 | 333.82 |
| 55mm | 252.17 | 257.12 | 282.48 | 359.55 | 364.50 | 389.86 |
| 58mm | 261.77 | 269.01 | 296.98 | 379.33 | 386.33 | 414.54 |
| 60mm | 272.17 | 279.40 | 307.85 | 387.60 | 394.85 | 423.29 |
| 63mm | 292.62 | 300.34 | 330.82 | 424.71 | 432.42 | 462.90 |
| 65mm | 275.47 | 283.30 | 314.29 | 397.35 | 405.17 | 436.17 |
| 68mm | 322.73 | 330.65 | 362.50 | 473.87 | 481.79 | 513.64 |
| 70mm | 328.37 | 336.66 | 370.81 | 489.31 | 497.60 | 531.76 |
| 75mm | 374.67 | 383.78 | 418.60 | 556.86 | 565.97 | 600.79 |
| 80mm | 417.53 | 427.12 | 463.17 | 619.19 | 628.79 | 664.83 |
| 85mm | 455.99 | 466.63 | 504.90 | 670.96 | 681.62 | 719.88 |
| 90mm | 495.49 | 506.42 | 546.73 | 725.02 | 735.95 | 776.26 |
| 95mm | 534.13 | 545.38 | 587.39 | 778.86 | 790.10 | 832.12 |
| 100mm | 572.15 | 584.27 | 627.67 | 832.53 | 844.64 | 888.04 |



- **Monolithic Design**
- **Super-sinuuous spring**
- **Robust drive mechanism**
- **Alternative to the Chemienorm seal according to EN 12756**



ENVIRONMENTAL TECHNOLOGY

All pricing displayed represents list price excluding delivery.

AESSEAL plc. terms & conditions of sale apply, available on request.

FOR INFORMATION AND SAFE OPERATING LIMITS CONTACT OUR TECHNICAL SPECIALISTS AT THE LOCATIONS BELOW.



USE DOUBLE MECHANICAL SEALS WITH HAZARDOUS PRODUCTS. ALWAYS TAKE SAFETY PRECAUTIONS:

- GUARD YOUR EQUIPMENT
- WEAR PROTECTIVE CLOTHING



WARNING

AESSEAL plc
Wetherby Road
Osmaston Park Industrial Estate
Derby DE24 8HL
United Kingdom

Tel: +44 (0) 1332 366738
Fax: +44 (0) 1332 298195
Email: cese@aes seal.co.uk
Internet: <http://www.aes seal.co.uk>

AESSEAL plc
Mill Close
Templeborough
Rotherham S60 1BZ
United Kingdom

Tel: +44 (0) 1709 369966
Fax: +44 (0) 1709 720788
Email: seals@aes seal.co.uk
Internet: <http://www.aes seal.co.uk>



INVESTOR IN PEOPLE

Distributed by:

ALL SIZES ARE SUBJECT TO MANUFACTURING TOLERANCES. WE RESERVE THE RIGHT TO MODIFY SPECIFICATIONS AT ANY TIME.